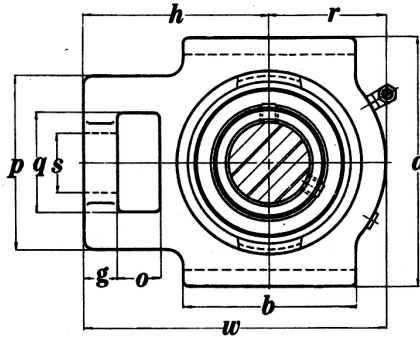
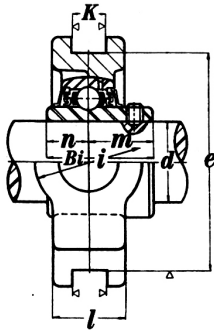




FIT Bearings®
The Brand that Fits

MOUNTED UNITS
UCT 200 Take-Up Units
Setscrew Type, Normal Duty



B type Seal



L-III type Seal

ISO 9001:2000	DIMENSIONS																	COMPONENTS		WT.		
Part Number	d	d	o	g	p	q	s	b	K	e	a	w	j	i	h	Bl	n	m	Bearing Number	Hous. Num.	lbs	
	inch	mm	inch																			
UCT201 201-8	1/2	12																	UC201 201-8	T201	1.74	
UCT202 202-10	5/8	15	0.6	0.4	2.0	1.3	0.8	2.0	0.5	3.0	3.5	3.7	1.3	0.8	2.4	1.2	0.5	0.7	UC202 202-10	T202		
UCT203		17																	UC203	T203		
UCT204-12 204	3/4 20																		UC204-12 204	T204		
UCT205-14 205-15 205 205-16	7/8 15/16 25 1		0.6	0.4	2.0	1.3	0.8	2.0	0.5	3.0	3.5	3.8	1.3	0.9	2.4	1.3	0.6	0.8	UC205-14 205-15 205 205-16	T205	1.85	
UCT206-18 206 206-19 206-20	1 1/8 30 1 3/16 1 1/4		0.6	0.4	2.3	1.5	0.9	2.3	0.5	3.5	4.0	4.4	1.5	1.1	2.8	1.5	0.6	0.9	UC206-18 206 206-19 206-20	T206	2.87	
UCT207-20 207-21 207-22 207 207-23	1 1/4 1 5/16 1 3/8 35 1 7/16		0.6	0.5	2.5	1.5	0.9	2.5	0.5	3.5	4.0	5.1	1.5	1.2	3.1	1.7	0.7	1.0	UC207-20 207-21 207-22 207 207-23	T207	3.53	
UCT208-24 208-25 208	1 1/2 1 9/16 40		0.8	0.6	3.3	1.9	1.1	3.3	0.6	4.0	4.5	5.7	1.9	1.3	3.5	1.9	0.7	1.2	UC208-24 208-25 208	T208	5.51	

CUSTOMERS ARE ALWAYS ENCOURAGED TO VISIT FIT'S SHANGHAI QUALITY CONTROL CENTER

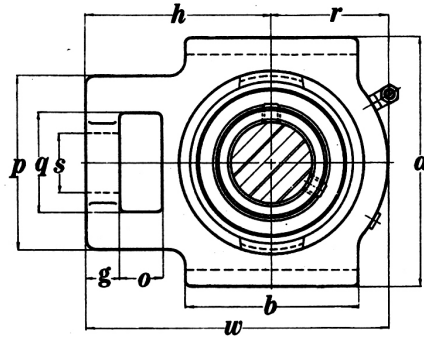
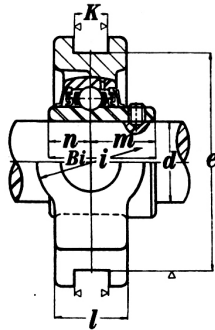
CORPORATE - WEST COAST SALES
47655 Warm Springs Blvd
Fremont, CA 94539
Toll Free: (800) 808-0348
Phone: (510) 623-1688

MIDWEST SALES - DISTRIBUTION
2800 Galvin Drive
Elgin, IL 60124
Toll Free: (877) 808-0348
Phone: (847) 836-8200



FIT Bearings®
The Brand that Fits

MOUNTED UNITS
UCT 200 Take-Up Units
Setscrew Type, Normal Duty



B type Seal



L-III type Seal

ISO 9001:2000	DIMENSIONS																	COMPONENTS		WT.		
Part Number	d	d	o	g	p	q	s	b	K	e	a	w	j	i	h	Bi	n	m	Bearing Number	Hous. Number	lbs	
	inch	mm	inch																			
UCT209-26	1 5/8																		UCT209-26			
209-27	1 11/16																		209-27			
209-28	1 3/4		0.8	0.6	3.3	1.9	1.1	3.3	0.6	4.0	4.0	5.7	1.9	1.4	3.4	1.9	0.7	1.2	209-28	T209	5.29	
209		45																	209			
UCT210-30	1 7/8																		UCT210-30			
210-31	1 15/16		0.8	0.6	3.3	1.9	1.1	3.4	0.6	4.0	4.0	5.9	1.9	1.5	3.5	2.0	0.7	1.3	210-31	T210	5.73	
210		50																	210			
UCT211-32	2																		UCT211-32			
211-34	2 1/8																		211-34			
211		55	1.0	0.8	4.0	2.5	1.4	3.8	0.9	5.1	5.8	6.7	2.5	1.5	4.2	2.2	0.9	1.3	211	T211	8.82	
211-35	2 3/16																		211-35			
UCT212-36	2 1/4																		UCT212-36			
212		60																	212			
212-38	2 3/8		1.3	0.8	4.0	2.5	1.4	4.0	0.9	5.1	5.8	7.6	2.5	1.7	4.7	2.6	1.0	1.6	212-38	T212	10.80	
212-39	2 7/16																		212-39			
UCT213-40	2 1/2																		UCT213-40			
213		65	1.3	0.8	4.4	2.8	1.6	4.8	1.0	5.9	6.6	8.8	2.8	1.7	5.4	2.6	1.0	1.6	213	T213	15.21	
UCT214-44	2 3/4																		UCT214-44			
214		70	1.3	0.8	4.4	2.8	1.6	4.8	1.0	5.9	6.6	8.8	2.8	1.7	5.4	2.9	1.2	1.7	214	T214	15.43	
UCT215		75																	UCT215			
215-48	3		1.3	0.8	4.4	2.8	1.6	4.8	1.0	5.9	6.6	8.8	2.8	1.7	5.4	3.1	1.3	1.8	215-48	T215	16.09	
UCT216		80	1.3	0.8	4.4	2.8	1.6	4.8	1.0	6.5	7.3	9.3	2.8	2.0	5.5	3.3	1.3	1.9	UCT216	T216	18.08	
UCT217-52	3 1/4																		UCT217-52			
217		85	1.5	1.1	4.9	2.9	1.9	6.2	1.2	6.8	7.8	10.3	2.9	2.1	6.4	3.4	1.3	2.0	217	T217	24.25	

GIVE US A CALL; WE CAN ASSIST YOU WITH QUOTES, SAMPLES, AND/OR QUESTIONS

CORPORATE - WEST COAST SALES
47655 Warm Springs Blvd
Fremont, CA 94539
Toll Free: (800) 808-0348
Phone: (510) 623-1688

MIDWEST SALES - DISTRIBUTION
2800 Galvin Drive
Elgin, IL 60124
Toll Free: (877) 808-0348
Phone: (847) 836-8200