



Sat-Light Series

4005 Outdoor Enclosure (ODU)



Features & Benefits

- IP 64 Outdoor Enclosure compatible with Sat-Light indoor modules
- Optional tactical version 4004
- Dual power supply option
- Can be loaded with up to 4 optical TX / RX Sat-Light Cards
- Internally pre-connected with Foxcom passive RF and optical components
- Optional intelligent redundancy RF switch
- LNB powering

Product Description

The Foxcom Outdoor Unit (ODU) 4005 is an outdoor enclosure providing weatherproof protection for Foxcom Sat-Light Interfacility Links. Any Foxcom Interfacility Link component can be installed outdoors, even in extreme weather conditions, eliminating the need for environment-controlled shelters. The 4005 ODU can be populated with any combination of up to four transmitters & receivers, RF switch and a variety of passive optical and RF components to provide a customized solution.

The standard ODU is available with a single internal power supply sufficient for any combination of transmitters and receivers. The ODU can also be equipped with a backup power supply. Prime power to the ODU is via a single weather-tight connector from an AC power supply. A LED indicator showing operational status is provided on the ODU. Internal LNB power selection, monitoring and alarms are available via a dedicated M&C connector. The molded cast housing provides protection of the internal components from ambient weather conditions.

Israel Corporate HQ, 16 Hataasia Street, Har Tov A Ind. Zone, Beit Shemesh 99052. Tel: +972-2-589-9888
Fax: +972-2-589-9898 sales@foxcom.com

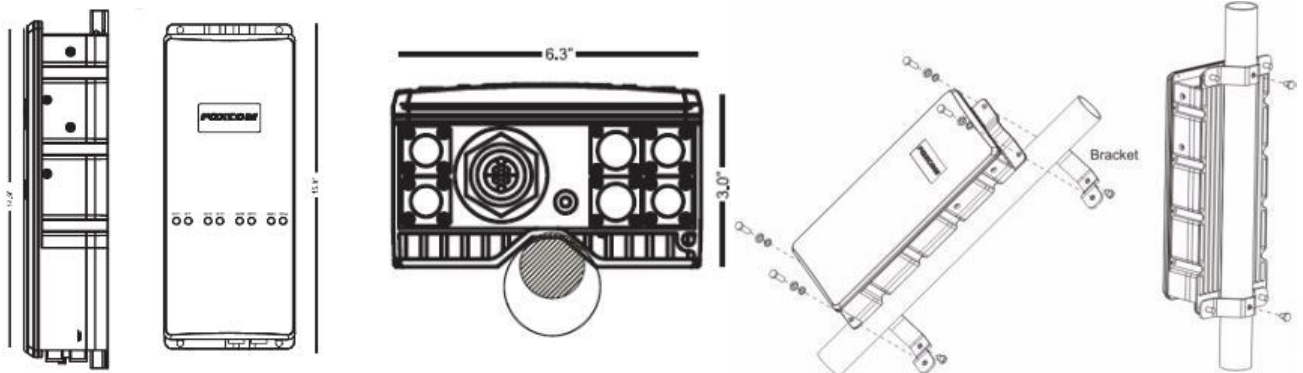
US Sales Office, 1315 Outlet Center Drive, Smithfield, North Carolina 27577 Tel: 609-514-1800 Fax: 609-514-1881
www.foxcom.com

Sat -Light Series

General Characteristics

| | |
|----------------------------|--|
| Enclosure Capacity | Up to 4 Units |
| Enclosure Size | 14" x 6" x 3" (H x W x D) |
| Enclosure Weight | 6 Kg |
| ODU Color | Cream for 4005 (Optional Olive) Olive for 4004 (Optional Cream) |
| RF Connector | F-type Female/N-Type Female |
| Optical Connector Quantity | 4 for 4005/4004 (Tactical) |
| Optical Connector Type | FC-APC (Internal) |
| Input Power | 90 to 260 VAC, 50/60 Hz, 0.5 Amp (max) |
| Power Consumption | 20 Watts (Including six LNB powering) |
| Operating Temp. Range | -30 to +55°C |
| Storage Temp. Range | -40 to +85°C |
| Humidity | Humidity 95%, non-condensing |
| Dust and Water Protection | IP64 on 4005 IP67 4004 |

Mechanical Specifications



Ordering Information

| Product Part Number | Description |
|---------------------|---|
| 4005 | IP64 Outdoor enclosure for Sat-Light gold and Sat-Light Classic cards, 4 FC Optical connectors, 4 cards capacity. |
| 4004 | IP67 Outdoor enclosure for Sat-Light gold and Sat-Light Classic cards, Tactical hermaphroditic optical connector, 4 cards capacity. |