



Sat-Light Series

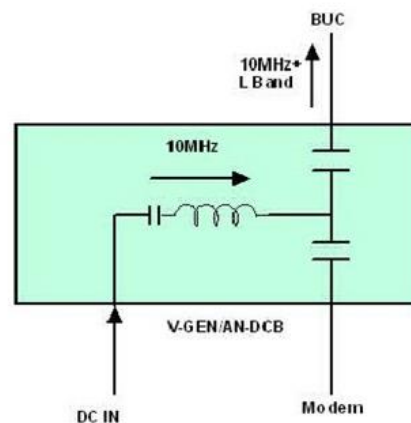
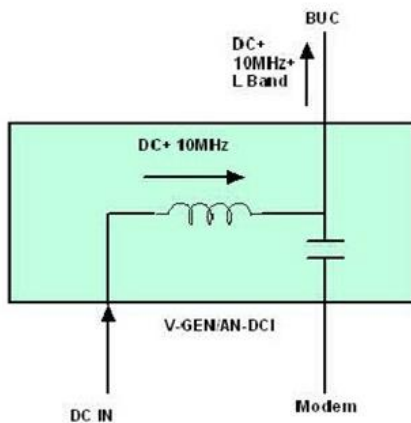
VSAT 10MHz Generator | FOX- V-GEN_AN-DCI_DCB

Product Description

The Foxcom VSAT 10MHz generator is a high stability reference source for VSAT Block Upconverters. Simply placed into the L Band signal path, the unit inserts 10MHz onto the outgoing L Band.

The Unit is available in two options:

- FOX V-GEN/AN-DCI injects a 15VDC-50VDC onto the L Band path
- FOX V-GEN/AN-DCB blocks DC to the BUC L-Band Path



Specifications

VSAT 10MHz Active Signal Splitter Specifications

Frequency range	10 MHz
Output level	+7dBm +/-1dB
Operating temperature	>15dB
Temperature stability	<3 x 10 ⁻⁹ over range -20C to +70C
Stability with supply voltage	<2 x 10 ⁻⁹ for a 10% change
Stability with load change	<5 x 10 ⁻¹⁰ for a 10% from 50 Ohms
Short term stability	<1 x 10 ⁻¹¹
Phase noise	10Hz–130dBc/Hz 100Hz–145dBc/Hz 1KHz–155dBc/Hz 10KHz–158dBc/Hz 50KHz–160dBc/Hz
Warm up error	+/- 1 x 10 ⁻⁸ of final frequency after 8 minutes max at +25C
Frequency adjustment	Sufficient for min 10 years ageing
Harmonics	<-30dB W.R.T Carrier
Through loss	Nominal 0db +/- 0.5dB
Power Supply	15V DC- 50V-DC
Max DC current pass	4 Amps
Humidity	>90% Non-Condensing

