



## BsmarTV Series

# AL6T-1-CWDM Compact Fiber Optic Transmitter



### Key Features

- 1 Expanded L-band frequency input
- Stand-alone housing
- Low power consumption
- AGC circuitry
- Plug & play deployment
- Point-to-multi-point architecture
- Compatible with Foxcom's AL5R/AL6R-1 receivers

### Product Description

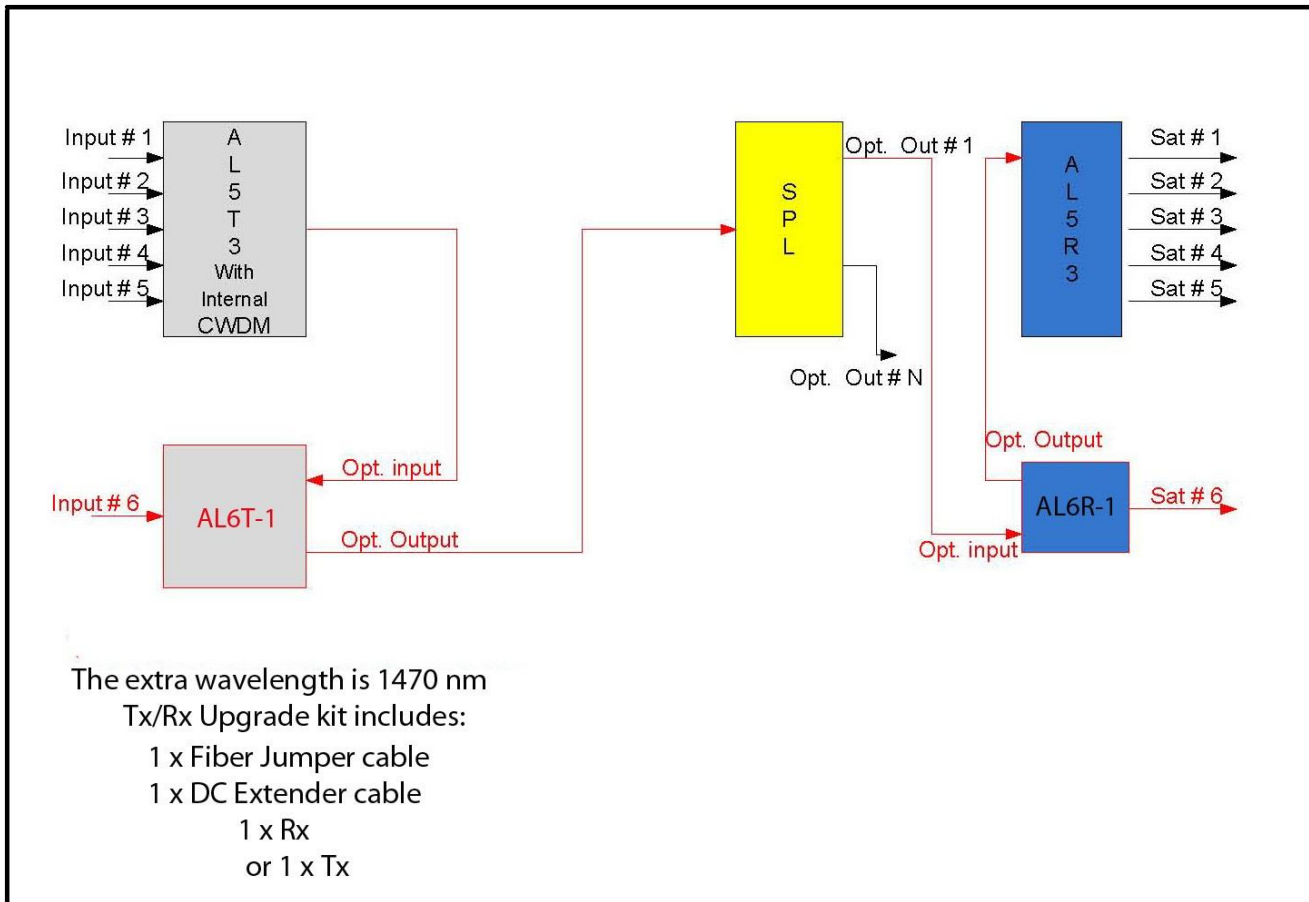
The AL6T-1-CWDM, a 1-port unit, upgrades Foxcom's 5-channel system to support a 6-channel system.

The unit transmits six satellite TV signals to the AL5R over a single optical fiber. The optical output supports 1470nm and 1510–1610nm and connects to the AL5R unit and AL6R-1 CWDM. The optical output can be split to multiple points via an optical splitter.

Six RF input signals connect to six satellite antennas over coax cable and combine to a single optical output through CWDM.

The RF input bandwidth, 200-2400MHz, can support a variety of satellite television platforms.

## 5 Channel+ 1 Channel Upgrade Block Diagram



## Specifications

Parameters	AL6T-1-CWDM
<b>RF Input</b>	
Operating Frequency Range (MHz)	200-2400
Minimum RF Input Power	-50dBm
Maximum RF Input Power	-20dBm
Flatness	±0.5dB
CNR (Min. dBc)	35dB <sup>1</sup>
IMD (Max. dBc)	40
RF Input Connector	F-type Female
RF Input Impedance	75 Ohm
RF Input Return Loss (Min.)	-10dB
Gain Control	AGC
<b>Optical Output</b>	
Optical Wavelengths (nm)	Video 1470, 1510-1610
Optical Output Power	+3dBm <sup>2</sup>
Optical Output Connector Type	SC/APC
<b>General</b>	
Power Connector	Round 2 pin 1.9mm DC power (male)
Supply Voltage (VDC)	12V 2A
Maximum Current Drain (mA)	150 mA
Operating Temperature (°C)	-10 - +55
Storage Temperature (°C)	-45 - +85
Dimensions (W x H x D) mm	100 x 105 x 38

**Notes:**

1. @ 36MHz
2. With Matched RX @ -5dBm optical