



BsmarTV Series

AL6R-1-CWDM Compact Fiber Optic Receiver



Key Features

- 1 Expanded L-band frequency inputs
- Stand-alone housing
- Low power consumption
- AGC circuitry
- Plug & play deployment
- Point-to-multi-point architecture
- Compatible with Foxcom's AL5T/AL6T-1 transmitters

Product Description

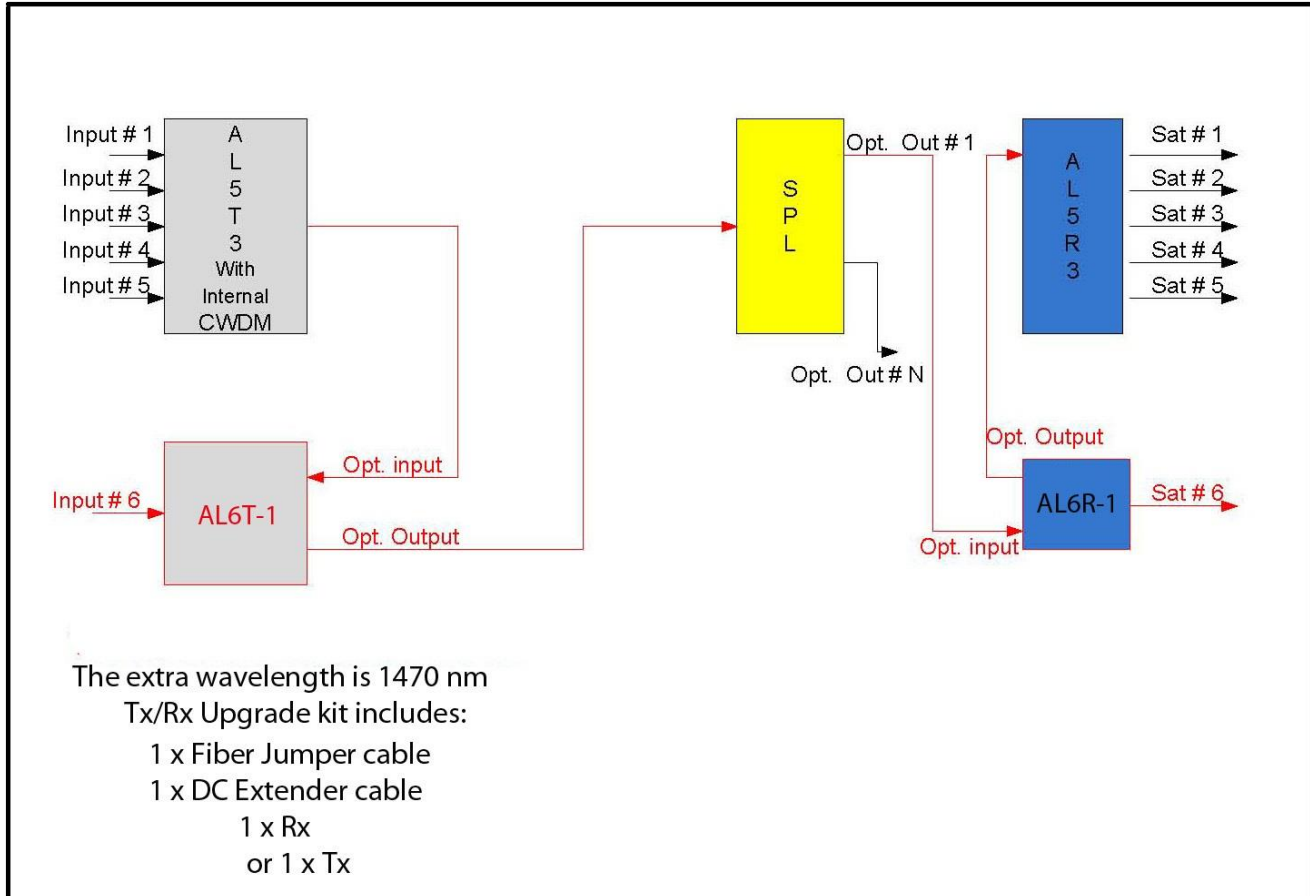
AL6R-1-CWDM, a 1-port unit, upgrades Foxcom's 5-channel system to support a 6-channel system.

The unit receives six satellite TV signals from the AL5T over a single optical fiber.

The optical input supports 1470nm and 1510–1610nm; the optical output is 1510–1610nm that connects to the existing AL5R unit. The RF output from the AL6R-1 unit can reach multiple homes in the same way as a 6-channel unit works.

The RF output bandwidth, 200-2400MHz, can support a variety of satellite television platforms.

5 Channel+ 1 Channel Upgrade Block Diagram



Specifications

Parameters	AL6R-1-CWDM
RF Output	1 Channel
	L-band (SAT-IF)
Output Power	-30dBm / to @ Pin = -10dBm optical for 48 transponders
Operating Frequency (MHz)	200-2400
Output Return Loss	-9dB
RF Output Impedance	75 Ohms
RF Connector Type	f-type female
Optical Input	
Optical Wavelengths (nm)	Video 1470, 1510-1610
Maximum Input Power	-8dBm
Minimum Input Power	-16dBm
Return Loss	-45dB
Fiber Type	SMF-28 (or equivalent)
Optical Connector	SC/APC
General	
Power Connector	Round 2 pin 1.9mm DC power (male)
Supply Voltage (VDC)	12V 2A
Maximum Current Drain	100mA
Operating Temperature	-10°C - +55°C
Storage	-45°C - +85°C
Dimensions	100 x 105 x 38