



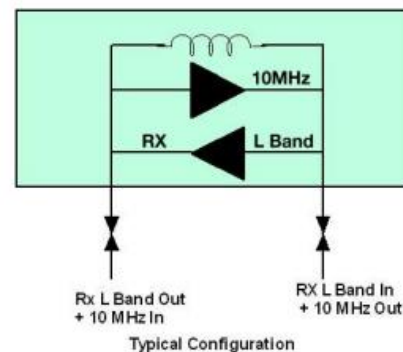
Sat-Light Series

VSAT Bi-AMP RX | FOX- V-BIAMPRX/PN-DCP

Product Description

The Foxcom VSAT BIAMPRX amplifies the L-Band signal from the LNB to the modem. Additionally the 10MHz Reference signal is also amplified if carried on the RX path. When ordering the customer should specify the level of amplification required on both L Band and 10MHz paths. Power for the unit is taken from the LNB supply voltage passing through.

Other connector configurations are available upon request.



Specifications

| | |
|------------------------------|----------------------------|
| L Band Frequency range | 950–2150MHz |
| Gain at L Band 0dBm Input | 0 to +14dBm Factory preset |
| Gain at 10MHz 0dBm Input | 0 to +13dBm Factory preset |
| Connectors | N type as standard 50 Ohm |
| Max. DC Current Pass through | 4 Amps |
| Current consumption | 100mA |
| Max DC voltage Pass through | 48V |
| Connectors | N-Type 50 Ohm Female |
| Dimensions | 115mm x 67mm x 26mm |
| Mounting Dimensions | 105mm x 57mm (M3) |
| Weight | 250 grams |