

Dialight



DuroSite® LED Bulkhead / Wallpack - CE / UL

for Indoor and Outdoor Industrial Applications

CE

On when it matters most.

Products and solutions that protect your business





Features & Benefits

- L70 rated for >100,000 hours @ 25°C
- 5 year full performance warranty
- Instant on/off operation
- Superior colour rendition index compared to HPS, LPS, MV
- Mercury free, lead free
- Replaces up to 400 Watt HID light sources
- Resistant to shock and vibration
- Temperature compensation technology for longer life
- Colour options available

Application

The Dialight DuroSite[®] Bulkhead luminaire with its low profile rugged design ensures long life and high reliability for a wide variety of industrial applications. It is ideally suited for stairwells, platforms, exits, walkways, tunnels, subways and other industrial environments. Dialight offers flush, angle and adjustable mounting options for use with the DuroSite Bulkhead as well as a recessed option.

DuroSite® LED Bulkhead / Wallpack - CE / UL

Standard Model



Certifications & Ratings

- CE
 - EN 55015:2006
 - EN 61547:2009
 - EN 60598:2008
- RoHS compliant
- UL 1598/A*
- UL 8750*
- CSA C22.2 NO.25*
- IP66 / 67

*ETL listed

Mechanical Information:

Fixture weight:

11W / 22W: 4.70kg (10.30 lbs)
 34W: 4.85kg (10.70 lbs)

Cabling:

All cable entries are drilled and tapped see ordering options.

Electrical Specifications:

Operating Voltage:

100-277V AC, 50/60 Hz or
 24-48V DC only available on 11W/22W

Total system power consumption:

See table

Operating Temp:

11W / 22W: -40°C to +60°C (-40°F to +140°F)
 34W: -40°C to +50°C (-40°F to +122°F)

Harmonics:

IEC 61000-3-2

Transient protection:

1 kV line to line, 2 kV line to ground

THD:

<20%

Power Factor:

> 0,9

Construction:

Housing:

Copper free aluminium

Finish:

Superior dual coat finish
 - Sealed polyester topcoat
 - Chemical-resistant epoxy primer

Lens¹:

High impact resistant clear glass
 High impact resistant frosted glass

Mounting Brackets:

316 stainless steel

Stanchion Brackets:

Copper free LM6 cast aluminium

Photometric Information:

CRI:

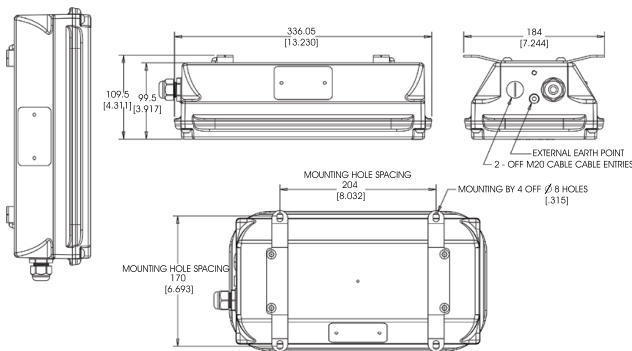
75

CCT:

5650K (cool white)
 4300K (neutral white)

All values typical unless otherwise stated
 Lumen values are typical (tolerance +/- 10%)

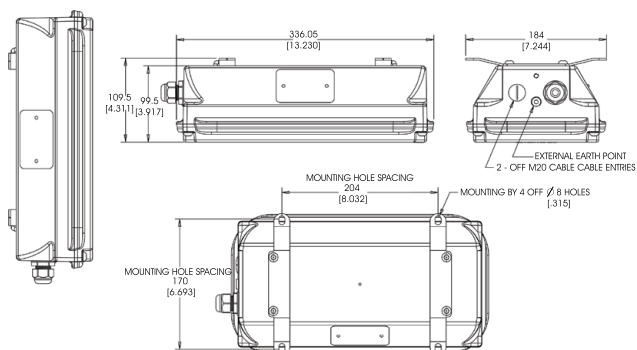
¹For information on chemical compatibility, please follow this link to reference Dialight's Chemical Compatibility Guide:
www.dialight.com/pubs/MDTFCHEMRFLX001.PDF



Dimensions in mm [inches]
 Shown with Flush mounting bracket

DuroSite® LED Bulkhead / Wallpack - CE / UL

Emergency Models



Dimensions in mm [inches]
Shown with Flush mounting bracket

Certifications & Ratings

- CE
 - EN 55015:2006
 - EN 61547:2009
 - EN 60598:2008
- RoHS compliant
- IP66 / 67

Mechanical Information:

- Fixture weight:**
 13W / 24W: 4.67kg (10.30 lbs)
 36W: 4.85kg (10.58 lbs)
- Cabling:** All cable entries are drilled and tapped see ordering options.

Electrical Specifications:

- Operating Voltage:** 207-264V AC 50/60Hz
 90-132V AC 50/60Hz
 (90-132V AC 50/60Hz only available on 13W / 24W models only)
- Total system power consumption:** See table
- Operating Temp:**
 13W / 24W: 0°C to +50°C (32°F - 122°F)
 36W: 0°C to +40°C (32°F - 104°F)
 -20°C options available
- Harmonics:** IEC 61000-3-2
- Transient protection:** 1 kV line to line, 2 kV line to ground
- THD:** <20%
- Power Factor:** >0.9
- Battery:**
 13W / 24W: 3.6V 4Ah NiMH
 36W: 3.6V 10Ah NiMH
- Battery Life:** 4 years (expected)
- Battery duration:** 3 hours minimum
 (Consult factory for longer life models)

Construction:

- Housing:** Copper free aluminium
- Finish:** Superior dual coat finish
 - Sealed polyester topcoat
 - Chemical-resistant epoxy primer
- Lens¹:** High impact resistant clear glass
 High impact resistant frosted glass
- Mounting Brackets:** 316 stainless steel
- Stanchion Brackets:** Copper free LM6 cast aluminium

Photometric Information:

- CRI:** 75
- CCT:** 5650K (cool white)
 4300K (neutral white)

All values typical unless otherwise stated
 Lumen values are typical (tolerance +/- 10%)

¹For information on chemical compatibility, please follow this link to reference Dialight's Chemical Compatibility Guide:
www.dialight.com/pubs/MDTFCHEMRFLX001.PDF

DuroSite® LED Bulkhead / Wallpack - CE / UL

Amber Model



Certifications & Ratings

- CE
 - EN 55015:2006
 - EN 61547:2009
 - EN 60598:2008
- RoHS compliant
- UL 1598/A*
- UL 8750*
- CSA C22.2 NO.25*
- IP66 / 67

*ETL listed

Mechanical Information:

Fixture weight:

11W / 22W: 4.70kg (10.30 lbs)

Cabling:

All cable entries are drilled and tapped see ordering options.

Electrical Specifications:

Operating Voltage:

100-277V AC, 50/60 Hz or 24-48V DC

Total system power consumption:

See table

Operating Temp:

11W / 22W: -40°C to +60°C (-40°F to +140°F)

Harmonics:

IEC 61000-3-2

Transient protection:

1 kV line to line, 2 kV line to ground

THD:

<20%

Power Factor:

> 0.9

Construction:

Housing:

Copper free aluminium

Finish:

Superior dual coat finish
 - Sealed polyester topcoat
 - Chemical-resistant epoxy primer

Lens:

High impact resistant clear glass
 High impact resistant frosted glass

Mounting Brackets:

316 stainless steel

Stanchion Brackets:

Copper free LM6 cast aluminium

Photometric Information:

CRI:

30 (range 26-40)

Wavelength (nm):

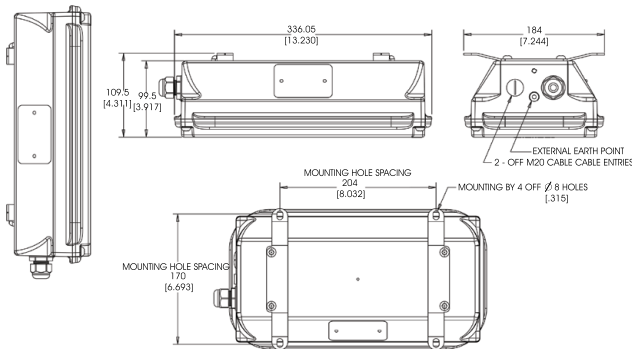
590 (range 586-592)

CCT:

5650K (cool white)
 4300K (neutral white)

All values typical unless otherwise stated
 Lumen values are typical (tolerance +/- 10%)

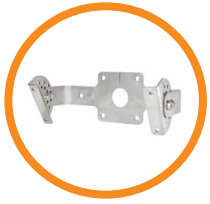
¹For information on chemical compatibility, please follow this link to reference Dialight's Chemical Compatibility Guide:
www.dialight.com/pubs/MDTFCHEMRFLX001.PDF



Dimensions in mm [inches]
 Shown with Flush mounting bracket

DuroSite® LED Bulkhead / Wallpack - CE / UL

Ordering Information and Mounting Accessories



WP-BRKT-SS-ADJ

- Adjustable bracket
- Includes self-tapping screws



WP-STMB-LG00- 22

- 1 1/2" BSP threaded straight stanchion mounting bracket

WP-STMB-LG00 -24

- 1 1/2" NPT threaded straight stanchion mounting bracket



WP-STMB-LG85-22

- 1 1/2" BSP threaded 85 degree stanchion mounting bracket

WP-STMB-LG85-24

- 1 1/2" NPT threaded 85 degree stanchion mounting bracket

WP-STMB-LG85-50

- Non threaded bore 34mm diameter

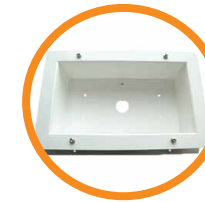
WP-STMB-LG85-60

- Non threaded bore 38mm diameter



WP-BRKT-LG-PF

- Pipe and flush bracket
- Includes self-tapping screws



WP-RECESS-WH

- Recessed housing
- Bracket to fixture hardware



WP-STMB-LG25-22

- 1 1/2" BSP threaded 25 degree stanchion mounting bracket

WP-STMB-LG25-24

- 1 1/2" NPT threaded 25 degree stanchion mounting bracket



WPX-000799-BATT

- 4Ah 3.6V battery module
- Replacement battery kit
- Battery Backup models only

Also available:

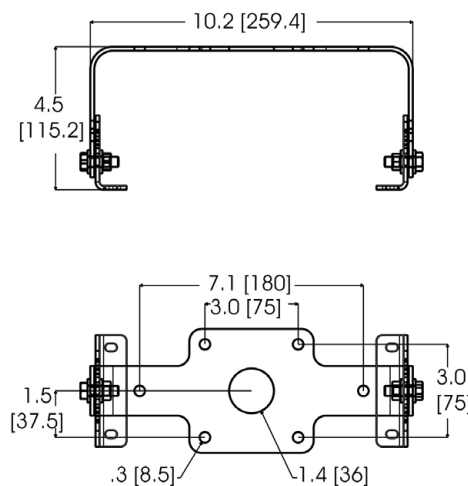
WP-BRKT-F-KIT

- Flush mounting brackets
- Bracket to fixture hardware
- Includes (2) brackets in 304 stainless steel and stainless mounting hardware

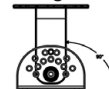
WP-BRKT-SS-30

- 30° angle mounting brackets
- Bracket to fixture hardware
- Includes (2) brackets in 304 stainless steel and stainless mounting hardware

WP-BRKT-SS-ADJ



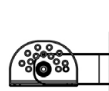
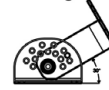
90 degrees



60 degrees



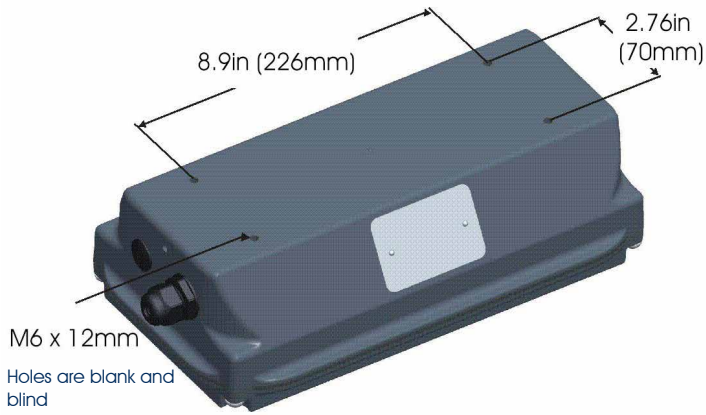
30 degrees



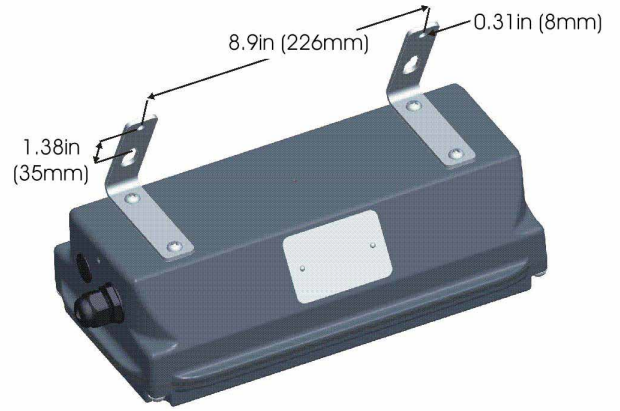
DuroSite® LED Bulkhead / Wallpack - CE / UL

Mounting Diagrams

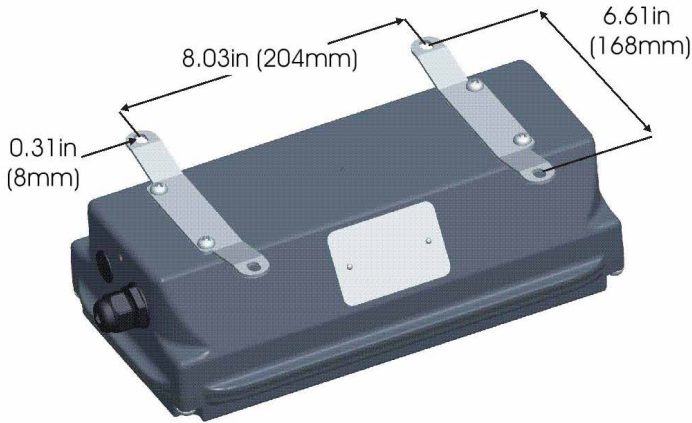
Without Bracket



30° Angle Bracket



Flush Bracket



WP-STMB-LG00-XX



Standard Option



2 Entries One Side

Option "E"



2 Entries One Side, 1 Entry Opposite Side.
Add E to the end of the order code

Option "R"



Add R to the end of the order code








Option "H"

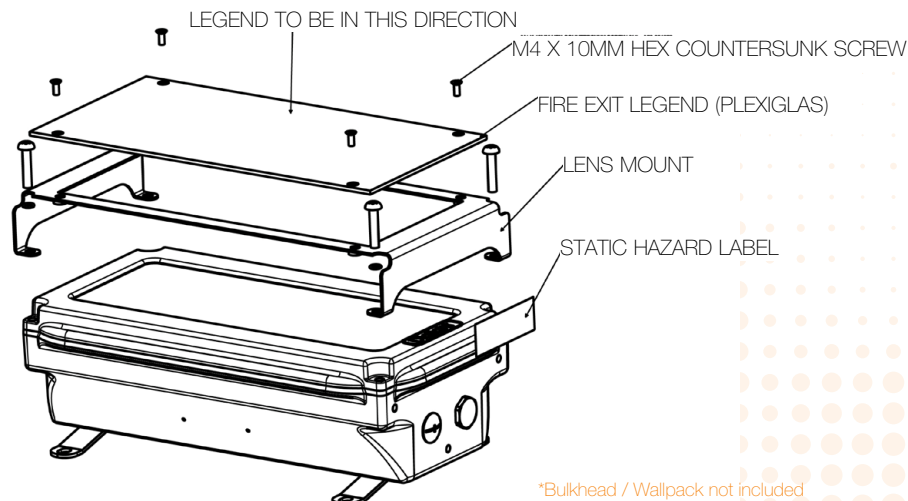


2 Entries One Side, 2 Entries Opposite Side and 1 Entry in the Rear.
Add H to the end of the order code

DuroSite® LED Bulkhead / Wallpack - CE / UL

Emergency Sign Options

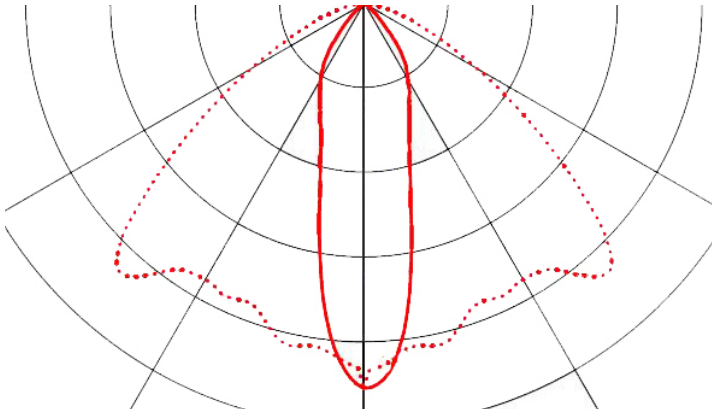
	Part Number	Description	Kit Includes
	WP-LM-FE-TUM	Fire exit, man, arrow up	Emergency sign Sign bracket Mounting hardware
	WP-LM-FE-TRM	Fire exit, man, arrow right	Emergency sign Sign bracket Mounting hardware
	WP-LM-FE-TLM	Fire exit, man, arrow left	Emergency sign Sign bracket Mounting hardware
	WP-LM-FE-TDM	Fire exit, man, arrow down	Emergency sign Sign bracket Mounting hardware
	WP-LM-FE-TRM-AU	Man, arrow right	Emergency sign Sign bracket Mounting hardware
	WP-LM-FE-TLM-AU	Man, arrow left	Emergency sign Sign bracket Mounting hardware
	WP-LM-FE-LM-AU	Man left	Emergency sign Sign bracket Mounting hardware
	WP-LM-FE-RM-AU	Man right	Emergency sign Sign bracket Mounting hardware



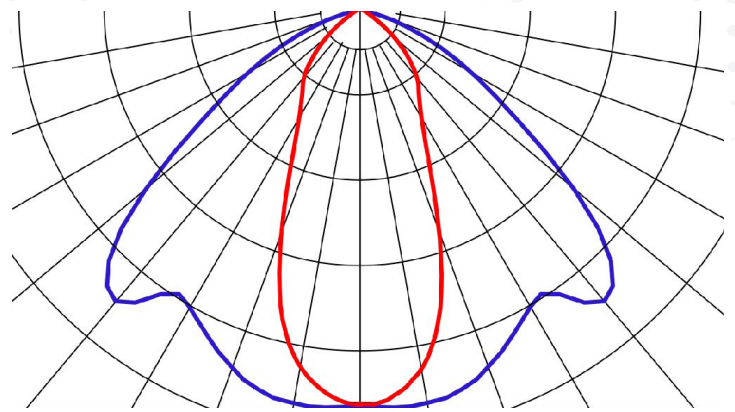
DuroSite® LED Bulkhead / Wallpack - CE / UL

Light Distribution Pattern

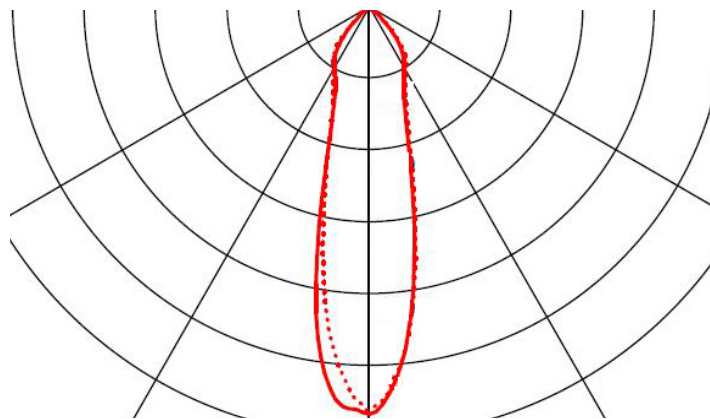
Oval light pattern (35°x55°)



Oval light pattern (55°x35°)



Narrow light pattern



DuroSite® LED Bulkhead / Wallpack - CE / UL

Ordering Information

Part Number	Initial Fixture Lumens	Wattage	Lm/W	IP Rating	Voltage	Colour Temperature (CCT)	Lens	Light Distribution
Standard Models - 100 - 277V AC								
WP-2C3L-NLGC	2,250	34	66	IP66	100 - 277V AC	5650K (cool white)	Clear Tempered glass	Narrow
WP-4C3L-NLGC	2,250	34	66	IP66	100 - 277V AC	5650K (cool white)	Clear Tempered glass	Oval (35° X 55°)
WP-5C3L-NLGC	2,150	34	63	IP66	100 - 277V AC	5650K (cool white)	Clear Tempered glass	Oval (55° X 35°)
WP-2C3H-NLGC	1,200	22	55	IP66	100 - 277V AC	5650K (cool white)	Clear Tempered glass	Narrow
WP-4C3H-NLGC	1,200	22	55	IP66	100 - 277V AC	5650K (cool white)	Clear Tempered glass	Oval (35° X 55°)
WP-5C3H-NLGC	1,200	22	55	IP66	100 - 277V AC	5650K (cool white)	Clear Tempered glass	Oval (55° X 35°)
WP-2C3C-NLGC	600	11	55	IP66	100 - 277V AC	5650K (cool white)	Clear Tempered glass	Narrow
WP-4C3C-NLGC	600	11	55	IP66	100 - 277V AC	5650K (cool white)	Clear Tempered glass	Oval (35° X 55°)
WP-5C3C-NLGC	600	11	55	IP66	100 - 277V AC	5650K (cool white)	Clear Tempered glass	Oval (55° X 35°)
Standard Models - 24 - 48V DC								
WP-2C2H-NLGC	1,200	22	55	IP66	24 - 48V DC	5650K (cool white)	Clear Tempered glass	Narrow
WP-4C2H-NLGC	1,200	22	55	IP66	24 - 48V DC	5650K (cool white)	Clear Tempered glass	Oval (35° X 55°)
WP-5C2H-NLGC	1,200	22	55	IP66	24 - 48V DC	5650K (cool white)	Clear Tempered glass	Oval (55° X 35°)
WP-2C2C-NLGC	600	11	55	IP66	24 - 48V DC	5650K (cool white)	Clear Tempered glass	Narrow
WP-4C2C-NLGC	600	11	55	IP66	24 - 48V DC	5650K (cool white)	Clear Tempered glass	Oval (35° X 55°)
WP-5C2C-NLGC	600	11	55	IP66	24 - 48V DC	5650K (cool white)	Clear Tempered glass	Oval (55° X 35°)
Emergency Models - 207 - 264V AC								
WE-2C4L-NLGC	2,250	36	62	IP66	207-264V AC	5650K (cool white)	Clear Tempered glass	Narrow
WE-4C4L-NLGC	2,250	36	62	IP66	207-264V AC	5650K (cool white)	Clear Tempered glass	Oval (35° X 55°)
WE-5C4L-NLGC	2,150	36	60	IP66	207-264V AC	5650K (cool white)	Clear Tempered glass	Oval (55° X 35°)
WE-2C4H-NLGC	1,200	24	55	IP66	207-264V AC	5650K (cool white)	Clear Tempered glass	Narrow
WE-4C4H-NLGC	1,200	24	50	IP66	207-264V AC	5650K (cool white)	Clear Tempered glass	Oval (35° X 55°)
WE-5C4H-NLGC	1,200	24	50	IP66	207-264V AC	5650K (cool white)	Clear Tempered glass	Oval (55° X 35°)
WE-2C4C-NLGC	600	13	46	IP66	207-264V AC	5650K (cool white)	Clear Tempered glass	Narrow
WE-4C4C-NLGC	600	13	46	IP66	207-264V AC	5650K (cool white)	Clear Tempered glass	Oval (35° X 55°)
WE-5C4C-NLGC	600	13	46	IP66	207-264V AC	5650K (cool white)	Clear Tempered glass	Oval (55° X 35°)
Emergency Models - 90-132V AC								
WE-2C5H-NLGC	1,200	24	55	IP66	90-132V AC	5650K (cool white)	Clear Tempered glass	Narrow
WE-4C5H-NLGC	1,200	24	50	IP66	90-132V AC	5650K (cool white)	Clear Tempered glass	Oval (35° X 55°)
WE-5C5H-NLGC	1,200	24	50	IP66	90-132V AC	5650K (cool white)	Clear Tempered glass	Oval (55° X 35°)
WE-2C5C-NLGC	600	13	46	IP66	90-132V AC	5650K (cool white)	Clear Tempered glass	Narrow
WE-4C5C-NLGC	600	13	46	IP66	90-132V AC	5650K (cool white)	Clear Tempered glass	Oval (35° X 55°)
WE-5C5C-NLGC	600	13	46	IP66	90-132V AC	5650K (cool white)	Clear Tempered glass	Oval (55° X 35°)
Amber Models - 207-264V AC								
WP-2A3H-NLGC		22		IP66	207-264V AC	Amber	Clear Tempered glass	Narrow
WP-4A3H-NLGC		22		IP66	207-264V AC	Amber	Clear Tempered glass	Oval (35° X 55°)
WP-5A3H-NLGC		22		IP66	207-264V AC	Amber	Clear Tempered glass	Oval (55° X 35°)
WP-2A3C-NLGC		11		IP66	207-264V AC	Amber	Clear Tempered glass	Narrow
WP-4A3C-NLGC		11		IP66	207-264V AC	Amber	Clear Tempered glass	Oval (35° X 55°)
WP-5A3C-NLGC		11		IP66	207-264V AC	Amber	Clear Tempered glass	Oval (55° X 35°)

All values typical unless otherwise stated, Lumen values are typical (tolerance +/- 10%).

Part number in table show fixture without a bracket.

All the codes listed above (except for amber models) are cool white. For neutral white, change the first "C" to "N" Ex: WP-4C3L-NLGC becomes WP-4N3L-NLGC.

Angle bracket replace the last "N" with "A" WP-2C3L-NLGC becomes WP-2N3L-ALGC

Flush bracket replace the last "N" with "E" WP-2C3L-NLGC becomes WP-2N3L-ELGC

Frosted glass models replace the last "C" with "F" WP-2C3L-NLGC becomes WP-2C3L-NLGF (Frosted lens will reduce lumen output by 6%)

For the -20°C emergency option models add -20 to the ordering code WE-2C4H-NLGC becomes WE-2C4H-NLGC-20

