

# .....Dialight



## DuroSite® LED Floodlight - CE

for Indoor and Outdoor Industrial Applications



# On when it matters most.

---

Products and solutions that protect your business







## Features & Benefits

- 10 year full performance warranty
- L70 rated for >100,000 hours @ 25°C ambient
- Instant on/off operation
- Universal input (100-277V AC), 50/60Hz
- Superior colour rendition index compared to HPS, LPS, MV
- Mercury free
- Resistant to shock and vibration
- Temperature compensation technology for longer life
- Isolated wiring compartment
- Integral safety straps

## Application

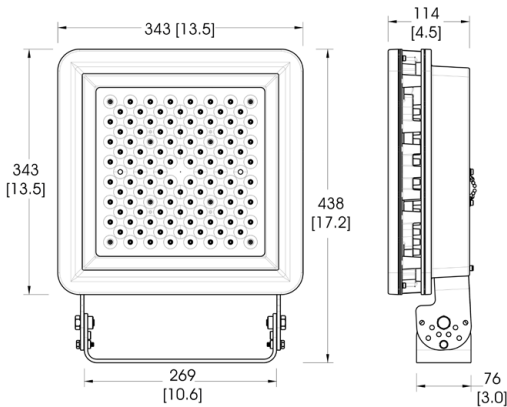
The DuroSite® LED Floodlight represents the future of energy efficient facility illumination for industrial applications worldwide. The lighting fixture consumes at least 50% less energy than traditional HID light sources, while reducing maintenance and carbon emissions. This light incorporates both cutting edge LED technology along with proprietary optics to achieve floodlighting comparable with other traditional light sources.

# DuroSite LED Floodlight - CE

## Standard Model



Patent pending



Dimensions in mm (inches)

### Certifications & Ratings

- CE
  - EN55015
  - EN61547
  - EN60598-1
  - EN61000-3-2
  - EN62031
  - EN62471
- IP66/67 to EN60529
- IK07 (Glass) / IK10 (Polycarbonate)

### Mechanical Information:

<b>Fixture weight:</b>	
15,000 - 13,500lm:	14 kg (30 lb)
11,500 - 10,500lm:	12 kg (27 lb)
<b>Shipping weight:</b>	
15,000 - 13,500lm:	15.5 kg (34 lb)
11,500 - 10,500lm:	14 kg (31 lb)
<b>Mounting:</b>	Trunnion mounting bracket included
<b>Entry:</b>	(2) M20 cable entries

### Electrical Specifications:

<b>Operating voltage:</b>	100 - 277V AC, 50/60Hz
<b>Total system power consumption:</b>	See table
<b>Operating temperature:</b>	-40°C to +65°C (-40°F to +149°F)
<b>Harmonics:</b>	IEC 61000-3-2
<b>Noise requirements/ EMC:</b>	EN 55015 - conducted and radiated EN 61000-3-2, EN 61000-4-2, EN 61000-4-3, EN 61000-4-4, EN 61000-4-5, EN 61000-4-6, EN 61000-4-11
<b>Transient protection:</b>	EN61000-4-5 Verified up to 6kV/2ohms at an independent test laboratory Protection devices capable of 20kV
<b>THD:</b>	< 20%
<b>Power factor:</b>	> 0.9

### Construction:

<b>Housing:</b>	Copper free aluminium
<b>Bracket:</b>	304 Stainless steel
<b>Finish:</b>	Superior dual coat finish - Sealed polyester topcoat - Chemical-resistant epoxy prime
<b>Lens:</b>	Tempered glass Polycarbonate

### Photometric Information:

<b>CRI:</b>	75
<b>CCT:</b>	5000K (cool white)
<b>Field angles:</b>	140° x 115° 115° x 140° 115° 93° 52° 23°

**IES files:** Available at [www.dialight.com](http://www.dialight.com)

All values typical unless otherwise stated  
Lumen values are typical (tolerance +/- 10%)

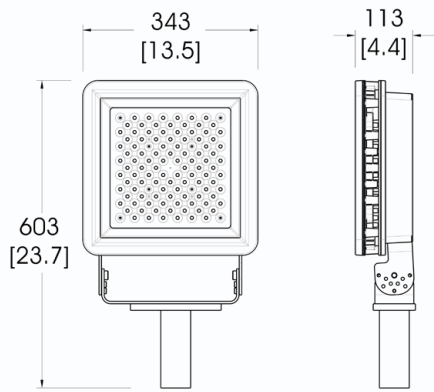
# DuroSite LED Floodlight - CE

## Mounting Options

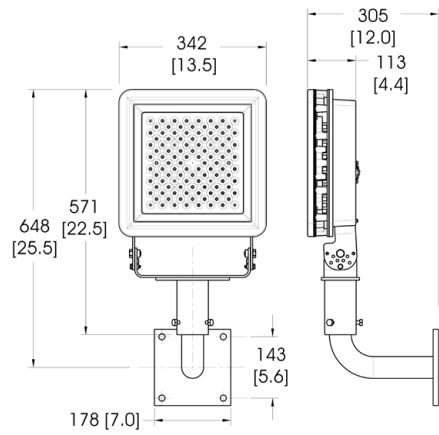


Product shipped with bracket installed  
 (Bracket has locking positions at 0°, (±) 22.5°, (±) 45°, (±) 67.5°, and 90°)

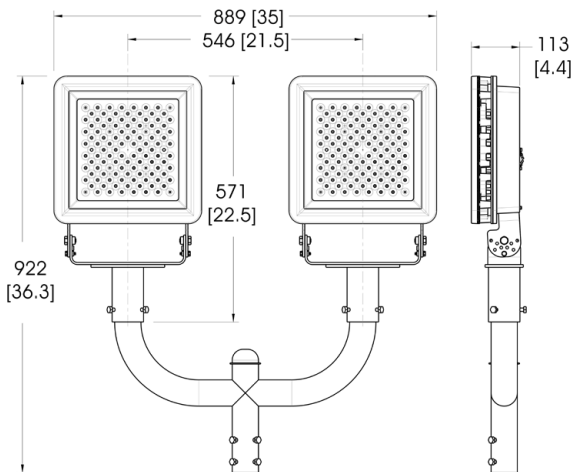
FLX-1TPT-20DB



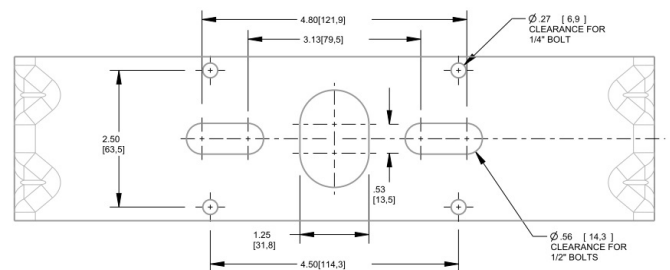
FLX-1RAB-20DB



FLX-2LBH-20DB



Factory Installed Mounting Bracket



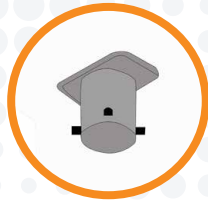
# DuroSite LED Floodlight - CE

## Mounting Accessories and Light Distribution Patterns



### HZXSAFECBLS

- Safety cable kit
- Kit includes: (2) Safety cables



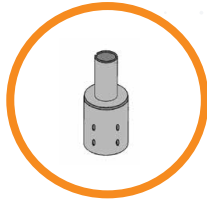
### FLX-1TPT-20DB<sup>1</sup>

- Tenon pole topper, 2-3/8" mount
- Kit includes: Tenon topper, pole set screws, and mounting hardware



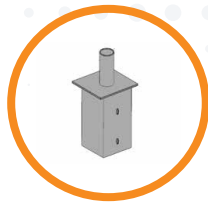
### FLX-1RAB-20DB

- Right angle mounting bracket for 2-3/8" light mount
- Kit includes: Right angle bracket



### FLX-3RPA-20DB FLX-4RPA-20DB

- Reducer for 3" or 4" OD round pole top to 2-3/8" light mount
- Kit includes: Reducer pole set screws



### FLX-4SPA-20DB FLX-5SPA-20DB FLX-6SPA-20DB

- Internal tenon adapter for 4", 5" or 6" square pole top to 2-3/8" light mount
- Kit includes: Adapter



### FLX-2LBH-20DB

- Bull horn for 2 lights, 2-3/8" mount, 21" spacing
- Kit includes: Bull horn, pole set screws



### FLX-3LBH-20DB

- Bull horn for 3 lights, 2-3/8" mount, 21" spacing
- Kit includes: Bull horn, pole set screws



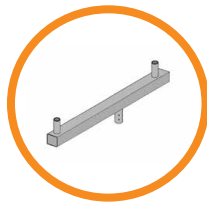
### FLX-4LBH-20DB

- Bull horn for 4 lights, 2-3/8" mount, 21" spacing
- Kit includes: Bull horn, pole set screws



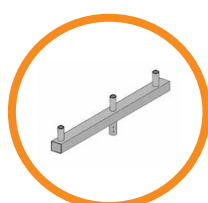
### FLX-4RBH-20DB

- Bull horn for 4 lights, 2-3/8" mount, 21" spacing
- Kit includes: Bull horn, pole set screws



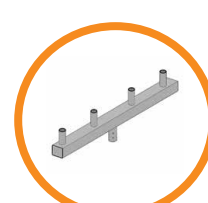
### FLX-2RSR-20DB

- Bull horn for 2 lights, 2-3/8" mount, 21" spacing
- Kit includes: Bull horn, pole set screws



### FLX-3RSR-20DB

- Bull horn for 3 lights, 2-3/8" mount, 21" spacing
- Kit includes: Bull horn, pole set screws

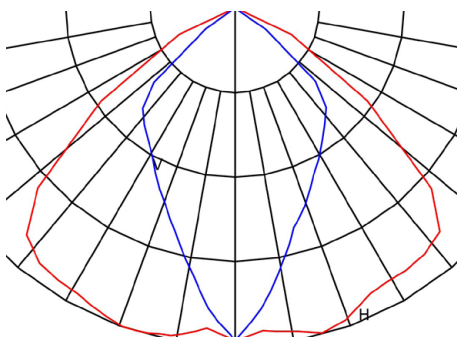


### FLX-4RSR-20DB

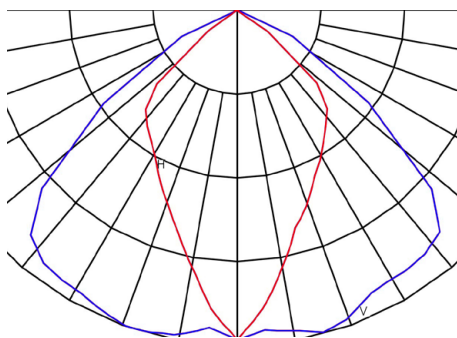
- Bull horn for 4 lights, 2-3/8" mount, 21" spacing
- Kit includes: Bull horn, pole set screws

<sup>1</sup> Brackets and adapters require the tenon pole topper (FLX-1TPT-20DB) to mount floodlight. Tenon pole topper sold separately.

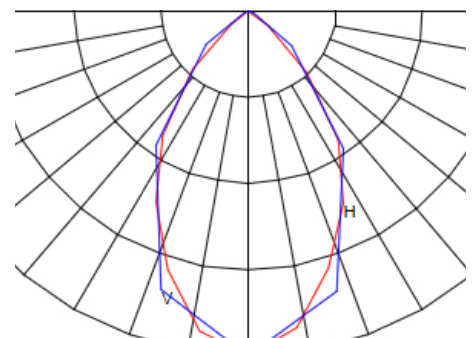
### Light Distribution Patterns



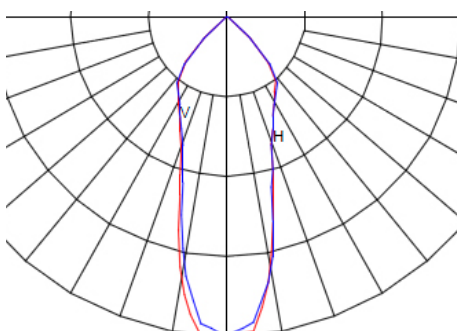
Field angle = 140° x 115°



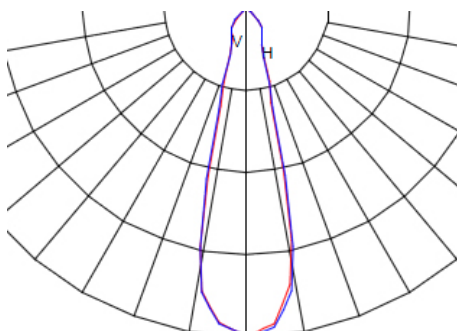
Field angle = 115° x 140°



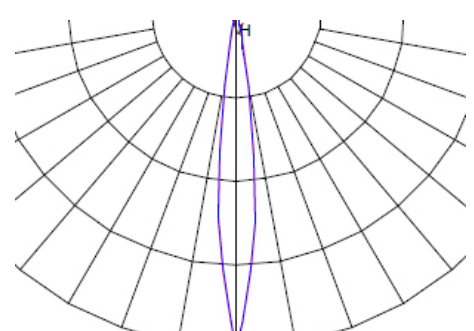
Field angle = 115°



Field angle = 93°



Field angle = 52°



Field angle = 23°



# DuroSite LED Floodlight - CE

## Ordering Information

Part Number	Initial Fixture Lumens	Wattage	Lm/W	IP Rating	Voltage	Colour Temperature (CCT)	Beam Angle	Field Angle
100 - 277V AC Models - Glass Lens								
FLE466MC4NG	15,000	130	115	IP66 / 67	100 - 277V AC	5000K (cool white)	45°	115°
FLE476MC4NG	14,750	130	113	IP66 / 67	100 - 277V AC	5000K (cool white)	105° x 70°	140° x 115°
FLE467MC4NG	14,750	130	113	IP66 / 67	100 - 277V AC	5000K (cool white)	70° x 105°	115° x 140°
FLE455MC4NG	14,500	140	104	IP66 / 67	100 - 277V AC	5000K (cool white)	27°	93°
FLE444MC4NG	14,500	140	104	IP66 / 67	100 - 277V AC	5000K (cool white)	26°	52°
FLE422MC4NG	13,500	140	96	IP66 / 67	100 - 277V AC	5000K (cool white)	12°	23°
FLE276MC2NG	11,500	109	105	IP66 / 67	100 - 277V AC	5000K (cool white)	45°	115°
FLE267MC2NG	11,500	109	105	IP66 / 67	100 - 277V AC	5000K (cool white)	105° x 70°	140° x 115°
FLE266MC2NG	11,250	109	103	IP66 / 67	100 - 277V AC	5000K (cool white)	70° x 105°	115° x 140°
FLE255MC2NG	11,000	109	101	IP66 / 67	100 - 277V AC	5000K (cool white)	27°	93°
FLE244MC2NG	10,500	109	96	IP66 / 67	100 - 277V AC	5000K (cool white)	26°	52°
FLE222MC2NG	10,750	109	96	IP66 / 67	100 - 277V AC	5000K (cool white)	12°	23°
100 - 277V AC Models - Polycarbonate Lens								
FLE466MC4NP	14,000	130	107	IP66 / 67	100 - 277V AC	5000K (cool white)	45°	115°
FLE476MC4NP	13,750	130	105	IP66 / 67	100 - 277V AC	5000K (cool white)	105° x 70°	140° x 115°
FLE467MC4NP	13,750	130	105	IP66 / 67	100 - 277V AC	5000K (cool white)	70° x 105°	115° x 140°
FLE455MC4NP	13,500	140	96	IP66 / 67	100 - 277V AC	5000K (cool white)	27°	93°
FLE444MC4NP	13,500	140	96	IP66 / 67	100 - 277V AC	5000K (cool white)	26°	52°
FLE422MC4NP	12,500	140	89	IP66 / 67	100 - 277V AC	5000K (cool white)	12°	23°
FLE276MC2NP	10,500	109	96	IP66 / 67	100 - 277V AC	5000K (cool white)	45°	115°
FLE267MC2NP	10,500	109	96	IP66 / 67	100 - 277V AC	5000K (cool white)	105° x 70°	140° x 115°
FLE266MC2NP	10,250	109	94	IP66 / 67	100 - 277V AC	5000K (cool white)	70° x 105°	115° x 140°
FLE255MC2NP	10,000	109	92	IP66 / 67	100 - 277V AC	5000K (cool white)	27°	93°
FLE244MC2NP	9,500	109	87	IP66 / 67	100 - 277V AC	5000K (cool white)	26°	52°
FLE222MC2NP	9,750	109	89	IP66 / 67	100 - 277V AC	5000K (cool white)	12°	23°

All values typical unless otherwise stated, Lumen values are typical (tolerance +/- 10%).

Part numbers listed in the table above are powder coated gray. For bronze powder, coat replace the 10th character with **Z**. FLW244NC2NG becomes FLW244NC2ZG

