

Dialight



SafeSite® LED Bulkhead / Wallpack - ATEX / IECEx
for Indoor and Outdoor Industrial Applications



On when it matters most.

Products and solutions that protect your business





Features & Benefits

- L70 rated for >100,000 hours @ 25°C
- 5 year full performance warranty
- Instant on/off operation
- Superior colour rendition index compared to HPS, LPS, MV
- Mercury free, lead free
- Resistant to shock and vibration
- Temperature compensation technology for longer life
- Colour options available

Application

The Dialight SafeSite[®] Bulkhead luminaire with its low profile rugged design ensures long life and high reliability for a wide variety of industrial applications. It is ideally suited for stairwells, platforms, exits, walkways, tunnels, subways and other industrial environments. Dialight offers flush, angle and adjustable mounting options for use with the SafeSite[®] Bulkhead as well as a recessed option.

SafeSite® LED Bulkhead / Wallpack - ATEX / IECEx

Standard Models



Certifications & Ratings

- ATEX Zone 1, 21
- ATEX Zone 2, 22
- Certificate numbers: IECEx BAS 10.0051X Baseefa10ATEX0092X
- CE
- EN 55015-2006
- EN 61547
- RoHS compliant
- Impact rating to EN 50102: IK09
- IP66 / 67
- ABS Assessed: #11-LD678508-1
- **11W/ 22W**
- Ex d e mb IIC T6 Gb
- Ex tb IIIC T85°C Db II 2GD
- **34W**
- Ex d e mb IIC T5 Gb
- Ex tb IIIC T100°C Db II 2GD

Mechanical Information:

- Fixture weight:** 5.40kg (11.90lbs)
- Cabling:** All cable entries are drilled and tapped see ordering options.

Electrical Specifications:

- Operating Voltage:**
 11W & 22W: 100-277V AC, 50/60 Hz or 24-48V DC
 34W: 100-277V AC, 50/60 Hz
- Total system power consumption:** See table
- Operating Temp:** See temperature rating table
- Harmonics:** IEC 61000-3-2: 2006
- Transient protection:** 1 kV line to line, 2 kV line to ground
- THD:** <20%
- Power Factor:** > 0.9

Construction:

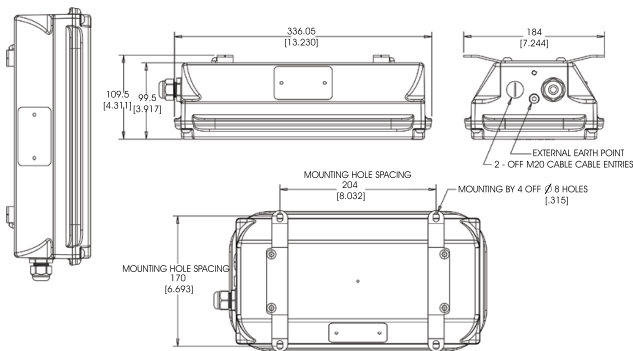
- Housing:** Copper free aluminium
- Finish:** Superior dual coat finish
 - Sealed polyester topcoat
 - Chemical-resistant epoxy primer
- Lens:** High impact resistant clear glass
 High impact resistant frosted glass
- Mounting Brackets:** 316 stainless steel
- Stanchion Brackets:** Copper free LM6 cast aluminium

Photometric Information:

- CRI:** 70
- CCT:** 5650K (cool white)
 4300K (neutral white)

All values typical unless otherwise stated (tolerance +/- 10%)

¹For information on chemical compatibility, please follow this link to reference Dialight's Chemical Compatibility Guide: www.dialight.com/pubs/MDTFCHEMRFLX001.PDF



Dimensions in mm [inches]
 Shown with Flush mounting bracket

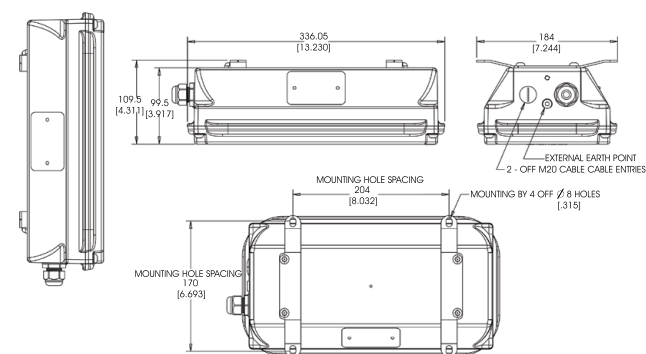
Temperature Ratings

	Ambient Temperature Range T5 Temperature Code	Ambient Temperature Range T6 Temperature Code
11W	-40°C to +60°C (-40°F to +140°F)	-40°C to +50°C (-40°F to +122°F)
22W	-40°C to +60°C (-40°F to +140°F)	-40°C to +50°C (-40°F to +122°F)
34W	-40°C to +50°C (-40°F to +122°F)	-40°C to +40°C (-40°F to +104°F)

With Recessed Housing

11W	-40°C to +55°C (-40°F to +131°F)	-40°C to +45°C (-40°F to +113°F)
22W	-40°C to +55°C (-40°F to +131°F)	-40°C to +45°C (-40°F to +113°F)
34W	-40°C to +45°C (-40°F to +113°F)	-40°C to +35°C (-40°F to +95°F)

SafeSite® LED Bulkhead / Wallpack - ATEX / IECEx Emergency Models



Dimensions in mm [inches]
Shown with Flush mounting bracket

Temperature Ratings		
	Ambient Temperature Range T6 Temperature Code	Ambient Temperature Range T6 Temperature Code -20°C option
13W 24W	-0°C to +50°C (32°F to +122°F)	-20°C to +50°C (-4°F to +122°F)
36W	-0°C to +40°C (32°F to +104°F)	-20°C to +40°C (-4°F to +104°F)
With Recessed Housing		
13W 24W	-0°C to +45°C (32°F to +113°F)	-20°C to +45°C (-4°F to +113°F)
36W	-0°C to +35°C (32°F to +95°F)	-20°C to +35°C (-4°F to +95°F)

Certifications & Ratings

- ATEX Zone 1, 21
- ATEX Zone 2, 22
- Certificate numbers:
IECEx BAS 10.0051X
Baseefa10ATEX0092X
- CE
EN 55015-2006
EN 61547
- RoHS compliant
- Impact rating to EN 50102: IK09
- IP66 / 67
- ABS Assessed:
#11-LD678508-1
13W/ 24W
- Ex d e mb IIC T6 Gb
Ex tb IIIC T85°C Db II 2GD
36W
- Ex d e mb IIC T5 Gb
Ex tb IIIC T100°C Db II 2GD

Mechanical Information:

Fixture weight: 5.40kg (11.90lbs)
Cabling: All cable entries are drilled and tapped see ordering options.

Electrical Specifications:

Operating Voltage: 207-264V AC 50/60Hz
90-132V AC 50/60Hz
(90-132V AC 50/60Hz only available on 13W / 24W models only)

Total system power consumption: See table
Operating Temp: See temperature rating table
Harmonics: IEC 61000-3-2
Transient protection: 1 kV line to line
2 kV line to ground
THD: <20%
Power Factor: >0.9
Battery: 13W / 24W: 3.6V 4Ah NimH
36W: 3.6V 10Ah NimH
Battery Life: 4 years (expected)
Battery duration: 3 hours minimum
(Consult factory for longer life models)

Construction:

Housing: Copper free aluminium
Finish: Superior dual coat finish
- Sealed polyester topcoat
- Chemical-resistant epoxy primer
Lens : High impact resistant clear glass
High impact resistant frosted glass
Mounting Brackets: 316 stainless steel
Stanchion Brackets: Copper free LM6 cast aluminium

Photometric Information:

CRI: 70
CCT: 5650K (cool white)
4300K (neutral white)
Operating mode: Maintained or non-maintained as standard

All values typical unless otherwise stated (tolerance +/- 10%)

¹For information on chemical compatibility, please follow this link to reference Dialight's Chemical Compatibility Guide:
www.dialight.com/pubs/MDTFCHEMRFLX001.PDF

SafeSite® LED Bulkhead / Wallpack - ATEX / IECEx

Amber Models



Certifications & Ratings

- ATEX Zone 1, 21
- ATEX Zone 2, 22
- Certificate numbers:
IECEx BAS 10.0051X
Baseefa10ATEX0092X
- CE
EN 55015-2006
EN 61547
- RoHS compliant
- Impact rating to EN 50102: IK09
- IP66 / 67
- ABS Assessed:
#11-LD678508-1
11W/ 22W
- Ex d e mb IIC T6 Gb
Ex tb IIIC T85°C Db II 2GD

Mechanical Information:

- Fixture weight:** 5.40kg (11.90lbs)
- Cabling:** All cable entries are drilled and tapped see ordering options.

Electrical Specifications:

- Operating Voltage:**
11W & 22W: 100-277V AC, 50/60 Hz or 24-48V DC
- Total system power consumption:** See table
- Operating Temp:** See temperature rating table
- Harmonics:** IEC 61000-3-2: 2006
- Transient protection:** 1 kV line to line,
2 kV line to ground
- THD:** <20%
- Power Factor:** > 0.9

Construction:

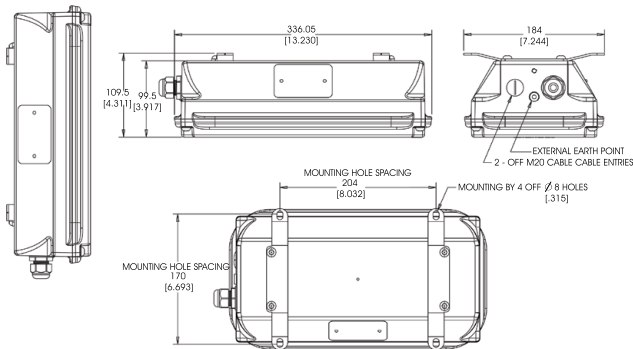
- Housing:** Copper free aluminium
- Finish:** Superior dual coat finish
- Sealed polyester topcoat
- Chemical-resistant epoxy primer
- Lens¹:** High impact resistant clear glass
High impact resistant frosted glass
- Mounting Brackets:** 316 stainless steel
- Stanchion Brackets:** Copper free LM6 cast aluminium

Photometric Information:

- CRI (typ):** 30 (range 26-40)
- Nmetres (typ):** 590 (range 586-592)
- IES files:** Consult factory

All values typical unless otherwise stated (tolerance +/- 10%)

¹For information on chemical compatibility, please follow this link to reference Dialight's Chemical Compatibility Guide: www.dialight.com/pubs/MDTFCHEMRFLX001.PDF



Dimensions in mm [inches]
Shown with Flush mounting bracket

Temperature Ratings

	Ambient Temperature Range T5 Temperature Code	Ambient Temperature Range T6 Temperature Code
11W	-40°C to +60°C (-40°F to +140°F)	-40°C to +50°C (-40°F to +122°F)
22W		
With Recessed Housing		
11W	-40°C to +55°C (-40°F to +131°F)	-40°C to +45°C (-40°F to +113°F)
22W		

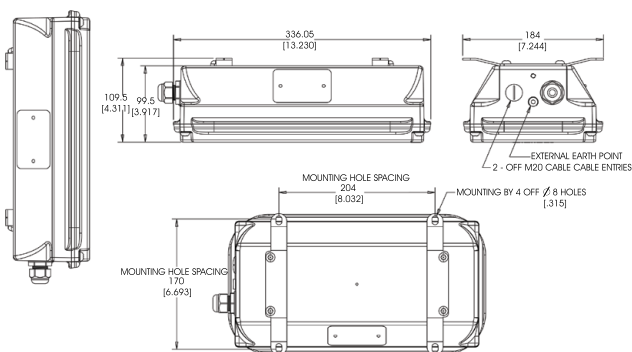
SafeSite® LED Bulkhead / Wallpack - ATEX / IECEx

Amber Emergency Models



Certifications & Ratings

- ATEX Zone 1, 21
- ATEX Zone 2, 22
- Certificate numbers:
IECEX BAS 10.0051X
Baseefa10ATEX0092X
- CE
EN 55015-2006
EN 61547
- RoHS compliant
- Impact rating to EN 50102: IK09
- IP66 / 67
- ABS Assessed:
#11-LD678508-1
- Ex d e mb IIC T6 Gb
Ex tb IIIC T85°C Db II 2GD



Dimensions in mm [inches]
Shown with Flush mounting bracket

Temperature Ratings

	Ambient Temperature Range T6 Temperature Code	Ambient Temperature Range T6 Temperature Code -20°C option
13W	-0°C to +50°C (32°F to +122°F)	-20°C to +50°C (-4°F to +122°F)
24W	-0°C to +50°C (32°F to +122°F)	-20°C to +50°C (-4°F to +122°F)
With Recessed Housing		
13W	-0°C to +45°C (32°F to +113°F)	-20°C to +45°C (-4°F to +113°F)
24W	-0°C to +45°C (32°F to +113°F)	-20°C to +45°C (-4°F to +113°F)

Mechanical Information:

- Fixture weight:** 5.40kg (11.90lbs)
- Cabling:** All cable entries are drilled and tapped see ordering options.

Electrical Specifications:

- Operating Voltage:** 207-264V AC 50/60Hz
90-132V AC 50/60Hz
- Total system power consumption:** See table
- Operating Temp:** See temperature rating table
- Harmonics:** IEC 61000-3-2
- Transient protection:** 1 kV line to line
2 kV line to ground
- THD:** <20%
- Power Factor:** >0.9
- Battery:** 13W / 24W: 3.6V 4Ah NimH
- Battery Life:** 4 years (expected)
- Battery duration:** 3 hours minimum
(Consult factory for longer life models)

Construction:

- Housing:** Copper free aluminium
- Finish:** Superior dual coat finish
- Sealed polyester topcoat
- Chemical-resistant epoxy primer
- Lens:** High impact resistant clear glass
High impact resistant frosted glass
- Mounting Brackets:** 316 stainless steel
- Stanchion Brackets:** Copper free LM6 cast aluminium

Photometric Information:

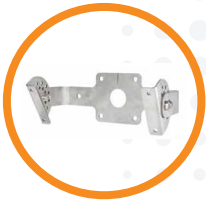
- CRI (typ):** 30 (range 26-40)
- Nmetres (typ):** 590 (range 586-592)
- IES Files:** Consult factory

All values typical unless otherwise stated (tolerance +/- 10%)

For information on chemical compatibility, please follow this link to reference Dialight's Chemical Compatibility Guide:
www.dialight.com/pubs/MDTFCHEMRFLX001.PDF

SafeSite® LED Bulkhead / Wallpack - ATEX / IECEx

Mounting Diagrams



- WP-BRKT-SS-ADJ**
- Adjustable Bracket
 - Includes self-tapping screws



- WP-STMB-LG00- 22**
- 1 1/2" BSP threaded straight stanchion mounting bracket

WP-STMB-LG00 -24

- 1 1/2" NPT threaded straight stanchion mounting bracket



- WP-STMB-LG85-22**
- 1 1/2" BSP threaded 85 degree stanchion mounting bracket

WP-STMB-LG85-24

- 1 1/2" NPT threaded 85 degree stanchion mounting bracket

WP-STMB-LG85-50

- Non threaded bore 34mm diameter

WP-STMB-LG85-60

- Non threaded bore 38mm diameter



WP-BRKT-LG-PF

- Pipe and flush bracket
- Includes self-tapping screws

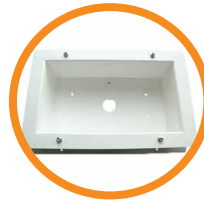


WP-STMB-LG25-22

- 1 1/2" BSP threaded 25 degree stanchion mounting bracket

WP-STMB-LG25-24

- 1 1/2" NPT threaded 25 degree stanchion mounting bracket



WP-RECESS-WH

- Recessed housing
- Bracket to fixture hardware



WPX-000799-BATT

- 4Ah 3.6V Battery Module
- Replacement Battery Kit
- Battery Backup models only

WPX-001500-BATT

- 10Ah 3.6V battery kit
- Battery backup models only

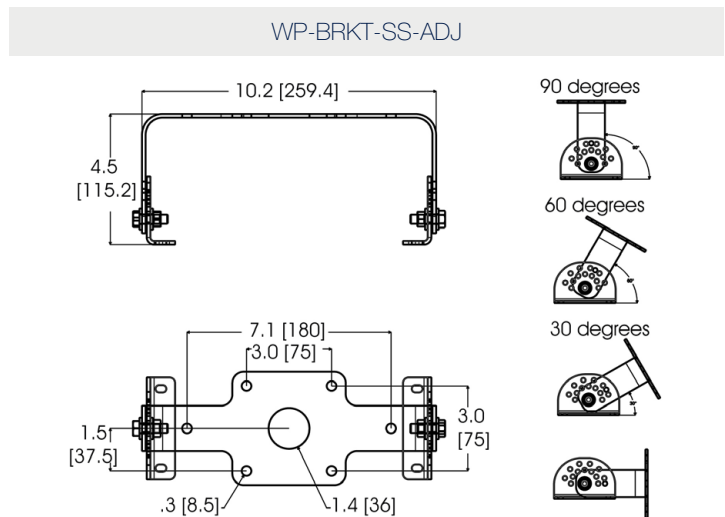
Also available:

WP-BRKT-F-KIT

- Flush mounting brackets
- Bracket to fixture hardware
- Includes (2) brackets in 304 stainless steel and stainless mounting hardware

WP-BRKT-SS-30

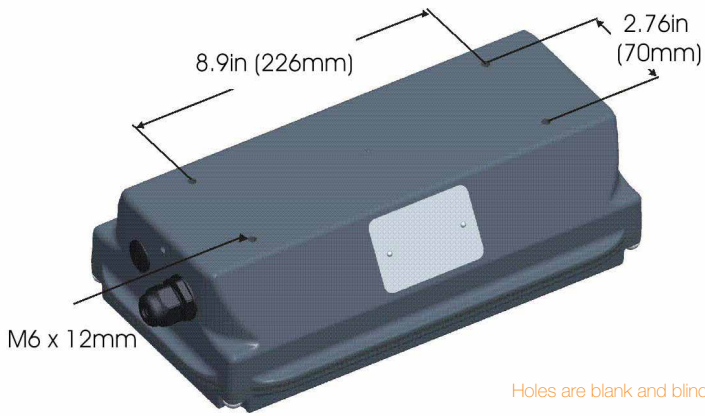
- 30° angle mounting brackets
- Bracket to fixture hardware
- Includes (2) brackets in 304 stainless steel and stainless mounting hardware



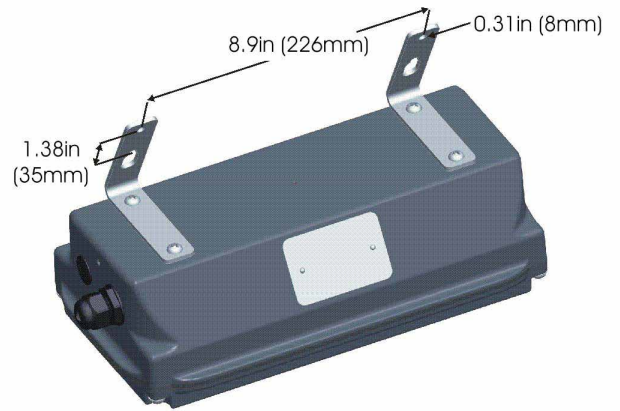
SafeSite® LED Bulkhead / Wallpack - ATEX / IECEx

Emergency Sign Options

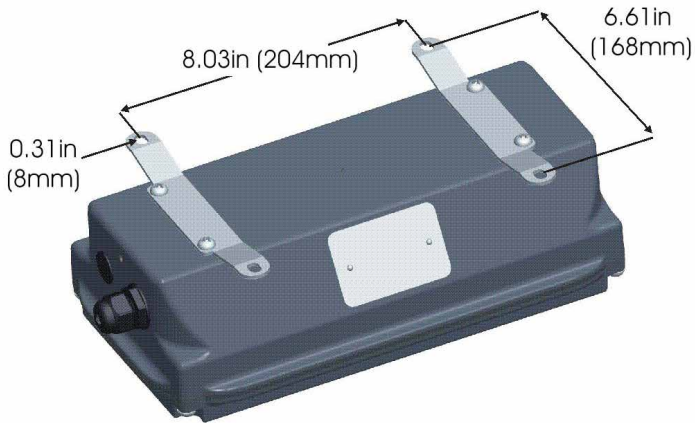
Without Bracket



30° Angle Bracket



Flush Bracket



WP-STMB-LG00-XX



Standard Option



2 Entries One Side

Option "E"



2 Entries One Side, 1 Entry Opposite Side.
Add E to the end of the order code

Option "R"



Add R to the end of the order code









Option "H"

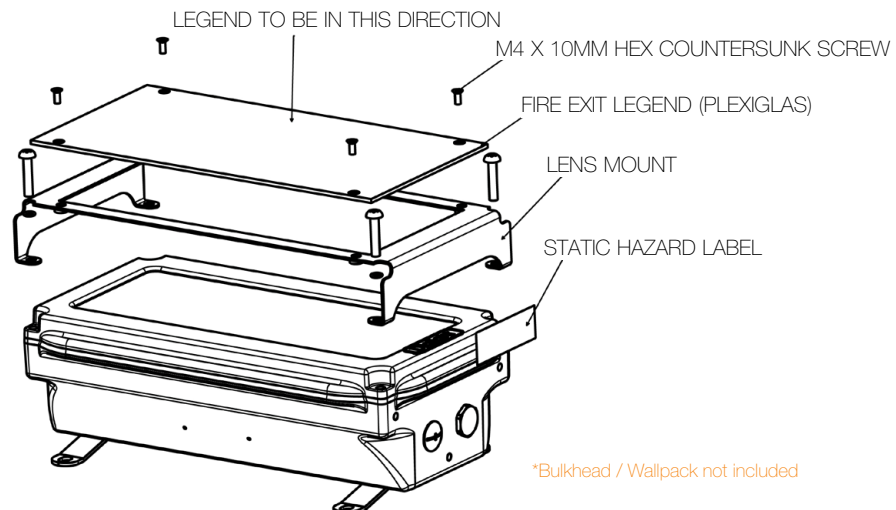


2 Entries One Side, 2 Entries Opposite Side and 1 Entry in the Rear
Add H to the end of the order code

SafeSite® LED Bulkhead / Wallpack - ATEX / IECEx

Emergency Sign Options

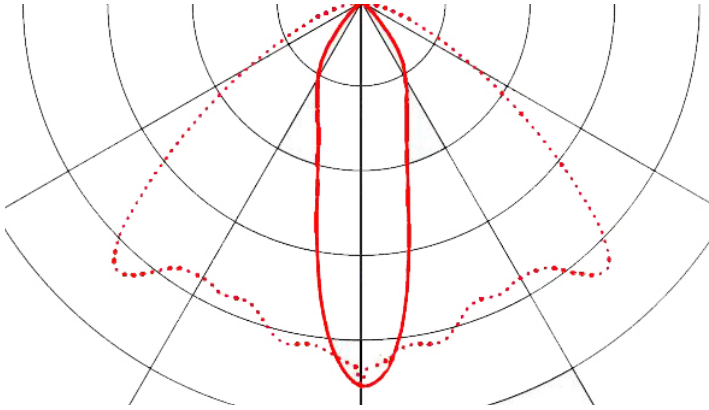
	Part Number	Description	Kit Includes
	WP-LM-FE-TUM	Fire exit, man, arrow up	Emergency sign Sign bracket Mounting hardware
	WP-LM-FE-TRM	Fire exit, man, arrow right	Emergency sign Sign bracket Mounting hardware
	WP-LM-FE-TLM	Fire exit, man, arrow left	Emergency sign Sign bracket Mounting hardware
	WP-LM-FE-TDM	Fire exit, man, arrow down	Emergency sign Sign bracket Mounting hardware
	WP-LM-FE-TRM-AU	Man, arrow right	Emergency sign Sign bracket Mounting hardware
	WP-LM-FE-TLM-AU	Man, arrow left	Emergency sign Sign bracket Mounting hardware
	WP-LM-FE-LM-AU	Man left	Emergency sign Sign bracket Mounting hardware
	WP-LM-FE-RM-AU	Man right	Emergency sign Sign bracket Mounting hardware



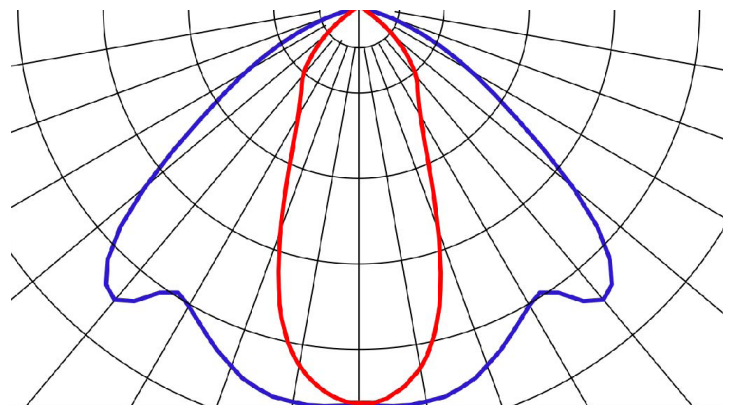
SafeSite® LED Bulkhead / Wallpack - ATEX / IECEx

Light Distribution Patterns

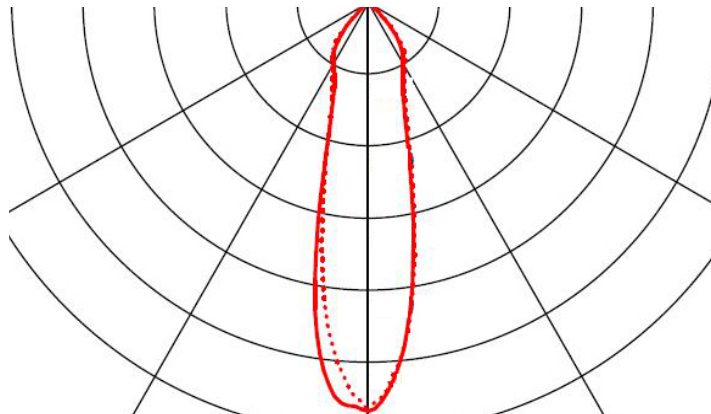
Oval light pattern (35°x55°)



Oval light pattern (55°x35°)



Narrow light pattern



SafeSite® LED Bulkhead / Wallpack - ATEX / IECEx

Ordering Information - Standard and Emergency Models

Part Number	Initial Fixture Lumens	Wattage	Lm/W	IP Rating	Voltage	Colour Temperature (CCT)	Lens	Light Distribution
Standard Models - 100 - 277V AC								
WPA-2C3L-NLGC	2,250	34	66	IP66/67	100 - 277V AC	5650K (cool white)	Clear Tempered Glass	Narrow
WPA-4C3L-NLGC	2,250	34	66	IP66/67	100 - 277V AC	5650K (cool white)	Clear Tempered Glass	Oval (35° X 55°)
WPA-5C3L-NLGC	2,150	34	63	IP66/67	100 - 277V AC	5650K (cool white)	Clear Tempered Glass	Oval (55° X 35°)
WPA-2C3H-NLGC	1,200	22	55	IP66/67	100 - 277V AC	5650K (cool white)	Clear Tempered Glass	Narrow
WPA-4C3H-NLGC	1,200	22	55	IP66/67	100 - 277V AC	5650K (cool white)	Clear Tempered Glass	Oval (35° X 55°)
WPA-5C3H-NLGC	1,200	22	55	IP66/67	100 - 277V AC	5650K (cool white)	Clear Tempered Glass	Oval (55° X 35°)
WPA-2C3C-NLGC	600	11	55	IP66/67	100 - 277V AC	5650K (cool white)	Clear Tempered Glass	Narrow
WPA-4C3C-NLGC	600	11	55	IP66/67	100 - 277V AC	5650K (cool white)	Clear Tempered Glass	Oval (35° X 55°)
WPA-5C3C-NLGC	600	11	55	IP66/67	100 - 277V AC	5650K (cool white)	Clear Tempered Glass	Oval (55° X 35°)
Standard Models - 24 - 48V DC								
WPA-2C2H-NLGC	1,200	22	55	IP66/67	24 - 48V DC	5650K (cool white)	Clear Tempered Glass	Narrow
WPA-4C2H-NLGC	1,200	22	55	IP66/67	24 - 48V DC	5650K (cool white)	Clear Tempered Glass	Oval (35° X 55°)
WPA-5C2H-NLGC	1,200	22	55	IP66/67	24 - 48V DC	5650K (cool white)	Clear Tempered Glass	Oval (55° X 35°)
WPA-2C2C-NLGC	600	11	55	IP66/67	24 - 48V DC	5650K (cool white)	Clear Tempered Glass	Narrow
WPA-4C2C-NLGC	600	11	55	IP66/67	24 - 48V DC	5650K (cool white)	Clear Tempered Glass	Oval (55° X 35°)
WPA-5C2C-NLGC	600	11	55	IP66/67	24 - 48V DC	5650K (cool white)	Clear Tempered Glass	Oval (55° X 35°)

Part Number	Initial Fixture Lumens	Wattage	Lm/W	IP Rating	Voltage	Colour Temperature (CCT)	Lens	Light Distribution
Emergency Models - 230 / 240V AC								
WEA-2C4L-NLGC	2,250	36	63	IP66/67	207-264V AC	5650K (cool white)	Clear Tempered Glass	Narrow
WEA-4C4L-NLGC	2,250	36	63	IP66/67	207-264V AC	5650K (cool white)	Clear Tempered Glass	Oval (35° X 55°)
WEA-5C4L-NLGC	2,250	36	63	IP66/67	207-264V AC	5650K (cool white)	Clear Tempered Glass	Oval (55° X 35°)
WEA-2C4H-NLGC	1,200	24	50	IP66/67	207-264V AC	5650K (cool white)	Clear Tempered Glass	Narrow
WEA-4C4H-NLGC	1,200	24	50	IP66/67	207-264V AC	5650K (cool white)	Clear Tempered Glass	Oval (35° X 55°)
WEA-5C4H-NLGC	1,200	24	50	IP66/67	207-264V AC	5650K (cool white)	Clear Tempered Glass	Oval (55° X 35°)
WEA-2C4C-NLGC	600	13	46	IP66/67	207-264V AC	5650K (cool white)	Clear Tempered Glass	Narrow
WEA-4C4C-NLGC	600	13	46	IP66/67	207-264V AC	5650K (cool white)	Clear Tempered Glass	Oval (35° X 55°)
WEA-5C4C-NLGC	600	13	46	IP66/67	207-264V AC	5650K (cool white)	Clear Tempered Glass	Oval (55° X 35°)
Emergency Models - 90-132V AC								
WEA-2C5H-NLGC	1,200	24	50	IP66/67	90-132V AC	5650K (cool white)	Clear Tempered Glass	Wide
WEA-4C5H-NLGC	1,200	24	50	IP66/67	90-132V AC	5650K (cool white)	Clear Tempered Glass	Oval (35° X 55°)
WEA-5C5H-NLGC	1,200	24	50	IP66/67	90-132V AC	5650K (cool white)	Clear Tempered Glass	Oval (55° X 35°)
WEA-2C5C-NLGC	600	13	46	IP66/67	90-132V AC	5650K (cool white)	Clear Tempered Glass	Wide
WEA-4C5C-NLGC	600	13	46	IP66/67	90-132V AC	5650K (cool white)	Clear Tempered Glass	Oval (35° X 55°)
WEA-5C5C-NLGC	600	13	46	IP66/67	90-132V AC	5650K (cool white)	Clear Tempered Glass	Oval (55° X 35°)

All values typical unless otherwise stated, Lumen values are typical (tolerance +/- 10%).

Standard models only:

Models shown are for cool white, no bracket, clear glass

For neutral white models replace the first **C** with **N** Ex: WEA-2**C**4L-NLGC becomes WEA-2**N**4L-NLGC

All models:

Angle bracket replace the **N** with **A** Ex: WEA-2C4L-NLGC becomes WEA-2C4L-**A**LG

Flush bracket replace the **N** with **F** Ex: WEA-2C4L-NLGC becomes WEA-2C4L-**F**LG

Frosted glass models replace the **C** with **F** Ex: WEA-2C4L-NLGC becomes WEA-2C4L-NLGC**F**

For the -20°C option models add **-20** to the ordering code Ex: WEA-2C4L-NLGC becomes WEA-2C4L-NLGC-**20**

SafeSite® LED Bulkhead / Wallpack - ATEX / IECEx

Ordering Information - Amber Standard and Emergency Amber Models

Part Number	Wattage	IP Rating	Voltage	Colour Temperature (CCT)	Lens	Light Distribution
Amber Models - 100 - 277V AC						
WPA-2A3H-NLGC	22	IP66/67	100 - 277V AC	Amber	Clear Tempered Glass	Narrow
WPA-4A3H-NLGC	22	IP66/67	100 - 277V AC	Amber	Clear Tempered Glass	Oval (35° X 55°)
WPA-5A3H-NLGC	22	IP66/67	100 - 277V AC	Amber	Clear Tempered Glass	Oval (55° X 35°)
WPA-2A3C-NLGC	11	IP66/67	100 - 277V AC	Amber	Clear Tempered Glass	Narrow
WPA-4A3C-NLGC	11	IP66/67	100 - 277V AC	Amber	Clear Tempered Glass	Oval (35° X 55°)
WPA-5A3C-NLGC	11	IP66/67	100 - 277V AC	Amber	Clear Tempered Glass	Oval (55° X 35°)
Amber Models - 24 - 48V DC						
WPA-2A2H-NLGC	22	IP66/67	24 - 48V DC	Amber	Clear Tempered Glass	Narrow
WPA-4A2H-NLGC	22	IP66/67	24 - 48V DC	Amber	Clear Tempered Glass	Oval (35° X 55°)
WPA-5A2H-NLGC	22	IP66/67	24 - 48V DC	Amber	Clear Tempered Glass	Oval (55° X 35°)
WPA-2A2C-NLGC	11	IP66/67	24 - 48V DC	Amber	Clear Tempered Glass	Narrow
WPA-4A2C-NLGC	11	IP66/67	24 - 48V DC	Amber	Clear Tempered Glass	Oval (35° X 55°)
WPA-5A2C-NLGC	11	IP66/67	24 - 48V DC	Amber	Clear Tempered Glass	Oval (55° X 35°)

Part Number	Wattage	IP Rating	Voltage	Colour Temperature (CCT)	Lens	Light Distribution
Emergency Amber - 230 / 240V AC						
WEA-2A4H-NLGC	24	IP66/67	207-264V AC	Amber	Clear Tempered Glass	Narrow
WEA-4A4H-NLGC	24	IP66/67	207-264V AC	Amber	Clear Tempered Glass	Oval (35° X 55°)
WEA-5A4H-NLGC	24	IP66/67	207-264V AC	Amber	Clear Tempered Glass	Oval (55° X 35°)
WEA-2A4C-NLGC	13	IP66/67	207-264V AC	Amber	Clear Tempered Glass	Narrow
WEA-4A4C-NLGC	13	IP66/67	207-264V AC	Amber	Clear Tempered Glass	Oval (35° X 55°)
WEA-5A4C-NLGC	13	IP66/67	207-264V AC	Amber	Clear Tempered Glass	Oval (55° X 35°)
Emergency Amber - 90 - 132V AC						
WEA-2A5H-NLGC	24	IP66/67	90-132V AC	Amber	Clear Tempered Glass	Narrow
WEA-4A5H-NLGC	24	IP66/67	90-132V AC	Amber	Clear Tempered Glass	Oval (35° X 55°)
WEA-5A5H-NLGC	24	IP66/67	90-132V AC	Amber	Clear Tempered Glass	Oval (55° X 35°)
WEA-2A5C-NLGC	11	IP66/67	90-132V AC	Amber	Clear Tempered Glass	Narrow
WEA-4A5C-NLGC	11	IP66/67	90-132V AC	Amber	Clear Tempered Glass	Oval (35° X 55°)
WEA-5A5C-NLGC	11	IP66/67	90-132V AC	Amber	Clear Tempered Glass	Oval (55° X 35°)

*please consult factory for Amber bulkhead lumen values

Standard models only:

Models shown are for amber, no bracket, clear glass

All models:

Angle bracket replace the **N** with **A** Ex: WEA-2A4H-NLGC becomes WEA-2A4H-**A**LG

Flush bracket replace the **N** with **F** Ex: WEA-2A4H-NLGC becomes WEA-2A4H-**F**LGC

Frosted glass models replace the **C** with **E** Ex: WEA-2A4H-NLGC becomes WEA-2A4H-NL**E**

For the -20°C option models add **-20** to the ordering code Ex: WEA-2A4H-NLGC becomes WEA-2A4H-NLGC-**20**

