



On when
it counts.



Patent Pending

Certifications & Ratings

- ATEX Zones 1, 21
- ATEX Zones 2, 22
- CE - EN 55015-2006 / EN 61547
- IP66
- RoHS compliant
- THA9C4M
Ex II 2G D Ex d e IIB T5 Gb
Certificate numbers: IECEx BAS 10.0074X
Baseefa 10ATEX0148X
- THH9C4M
Ex II 2 GD Ex d e IIB+H2 T5 Gb (factory junction box)
Ex tb IIIC T100°C Db IP66
Certificate numbers: IECEx BAS 12.0044X
Baseefa 12ATEX0070X

Features & Benefits

- L70 rated for >100,000 hours @ 25°C ambient
- 5 year full performance warranty
- Instant on/off operation
- Mercury free, lead free
- Resistant to shock and vibration
- Superior colour rendition index compared to HPS, LPS & MV
- Temperature compensation technology for longer life

Mechanical Information:

Fixture weight:	19.7 kg (43.4 lbs)
Fixing:	Factory installed 10 metre cable

Electrical Specifications:

Operating Voltage:	100-277V AC, 50/60 Hz
Total system power consumption:	See table
Operating Temp:	-40°C to +60°C (-40°F to 140°F)
Harmonics:	IEC 61000-3-2
Transient protection:	EN 61000-4-5 6kV/2 ohm, 1.2/50us, 8/20us combination wave, as per IEEE C62.41, line-line and line-ground
THD:	<20%
Power Factor:	> 0.9

Construction:

Housing:	Copper free aluminum
Finish:	Yellow powder coated (RAL 1018)
Mounting Bracket:	316 stainless steel
Lens¹:	Toughened glass

Photometric Information:

CRI:	70
CCT:	5000K (cool white)
IES Files:	see www.dialight.com

All values typical unless otherwise stated (tolerance +/- 10%)

¹For information on chemical compatibility, please follow this link to reference Dialight's Chemical Compatibility Guide:

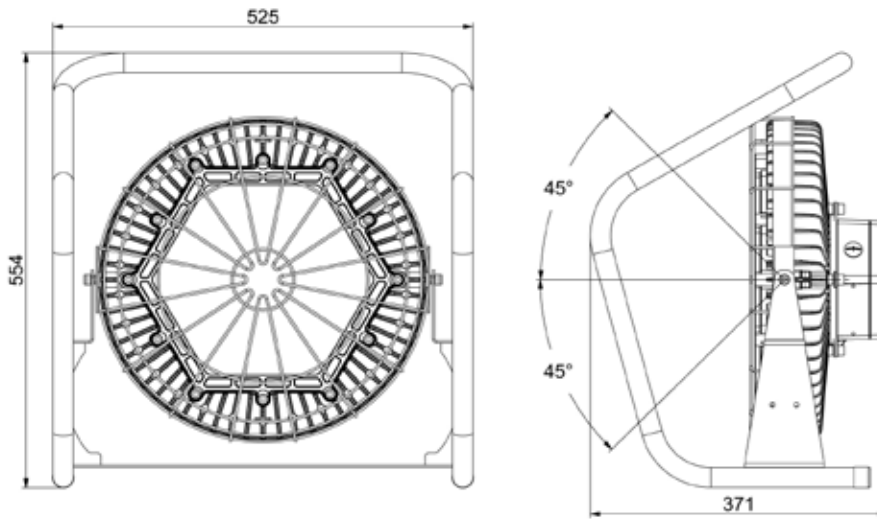
www.dialight.com/pubs/MDTFSFSTABEU001.PDF



Dialight



Bulkhead Dimensions



Dimensions are in mm [inches]

Part Number	Hydrogen Environment	Initial Fixture Lumens	Wattage	Lm/W	IP Rating	Voltage	Colour Temperature (CCT)	Lens	Light Distribution
THA9C4M		9,500	150W	63	IP66	100-277V AC	5000K (cool white)	Toughened glass	Circular
THH9C4M	•	9,500	150W	63	IP66	100-277V AC	5000K (cool white)	Toughened glass	Circular

All values typical unless otherwise stated, Lumen values are typical (tolerance +/- 10%).

Dialight reserves the right to make changes at any time in order to supply the best product possible. The most current version of this document will always be available at: www.dialight.com/Assets/Brochures_And_Catalogs/Illumination/MDTFSFSTABEU001.pdf

Warranty Statement: EXCEPT FOR THE WARRANTY EXPRESSLY PROVIDED FOR [HEREIN/ABOVE/BELOW], DIALIGHT DISCLAIMS ANY AND ALL OTHER WARRANTIES, EXPRESS OR IMPLIED, INCLUDING, WITHOUT LIMITATION, ANY WARRANTIES OF MERCHANTABILITY, FITNESS FOR A PARTICULAR PURPOSE, TITLE, AND NONINFRINGEMENT.