



Dialight

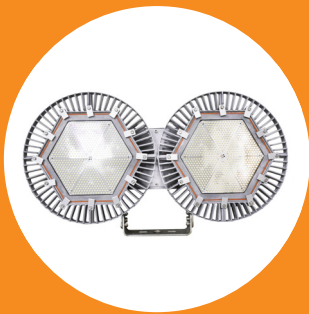
DuroSite[®] LED High Bay - CE

for Indoor and Outdoor Industrial Applications



On when it matters most.

Products and solutions that protect your business





Features & Benefits

- 10 year full performance warranty available (14,000 lumen and up models only)
- 5 year full performance warranty standard (10,000 to 12,000lm models)
- L70 rated for >100,000 hours @ 25°C ambient
- Instant on/off operation
- Universal power supply
- Superior colour rendition index compared to HPS, LPS, MV
- Resistant to shock and vibration
- Temperature compensation technology for longer life

Application

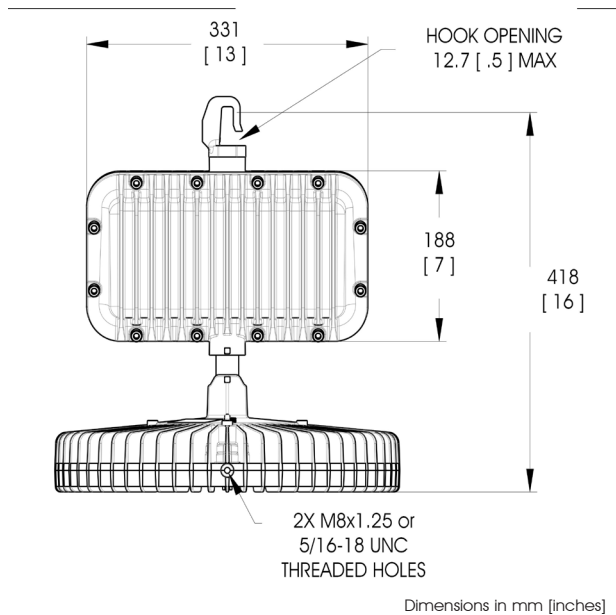
Dialight's DuroSite[®] LED High Bay luminaire was designed specifically to replace conventional lighting in a wide variety of industrial applications, both indoor and outdoor. All of Dialight's long life LED luminaires are designed to meet the most demanding specification criteria while offering maximum energy savings, reduced maintenance costs, and a superior quality of light. Hazardous area models are also available.

DuroSite LED High Bay - CE

25,000 Lumen - Standard Model



Patent pending



Certifications & Ratings

- CE
 - EN 55015:2006
 - EN 61547:2009
 - EN 60598:2008
 - EN 62471:2008
- IK05 to EN50102
- IP66 to EN60529

Mechanical Information:

- Fixture weight:** 13.6 kg (30 lbs)
- Shipping weight:** 15.88 kg (35 lbs)
- Mounting:** Hook (supplied) or
For other options consults factory
- Cabling:** 3m (10') PVC Power Cord

Electrical Specifications:

- Operating Voltage:** 100 – 277V AC
- Total system power consumption:** See table
- Operating Temp:** -40°C to +65°C (-40°F to +149°F)
- Harmonics:** IEC 61000-3-2
- Noise Requirements/EMC:** EN 61000-3-2: 2006
EN 61547: 2009
- Transient protection:** 6kV/2 ohm, 1.2/50us, 8/20us
combination wave, as per IEEE C62.41,
line-line and line-ground
- THD:** <20%
- Power Factor:** > 0.9

Construction:

- Housing:** Copper free aluminum
- Finish:** Superior dual coat finish
 - Sealed polyester topcoat
 - Chemical-resistant epoxy prime
- Lens:** Tempered glass

Photometric Information:

- CRI:** 75
80 min. option available
- CCT:** 5000K (cool white)
4000K (neutral white)

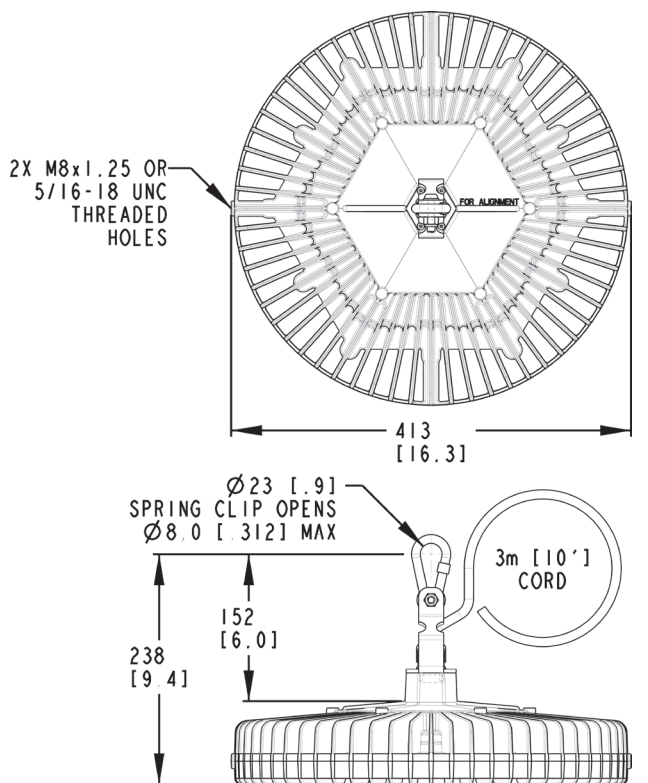
All values typical unless otherwise stated (tolerance +/- 10%)

DuroSite LED High Bay - CE

10,000 to 17,000 lumen - Standard Models



Patent pending



Dimensions in mm [inches]

Certifications & Ratings

- CE
- EN 55015:2006
- EN 61547:2009
- EN 60598:2008
- EN 62471:2008
- ABS Design Assessed: # 12-HS950618-PDA
- IEC60068 salt spray testing-severity 1
- IK10 to EN50102 (polycarbonate lens)
- IK06 to EN50102 (Acrylic lens)
- IK05 to EN50102 (Glass lens)
- IP66 to EN60529

Mechanical Information:

- Fixture weight:** 8.16kg (18lbs)
- Shipping weight:** 10.8kg (24lbs)
- Mounting:** Hook (supplied) or Swivel bracket (supplied separately)
- Cabling:** 3m (10') PVC Power Cord (Junction box models available)

Electrical Specifications:

- Operating Voltage:** 100 – 277V AC
- Total system power consumption:** See table
- Operating Temp:** -40°C to +65°C (-40°F to +149°F)
- Harmonics:** IEC 61000-3-2
- Noise Requirements/EMC:** EN 61000-3-2: 2006
EN 61547: 2009
- Transient protection:** 6kV/2 ohm, 1.2/50us, 8/20us combination wave, as per IEEE C62.41, line-line and line-ground
- THD:** <20%
- Power Factor:** > 0.9

Construction:

- Housing:** Copper free aluminum
- Finish:** Superior dual coat finish
- Sealed polyester topcoat
- Chemical-resistant epoxy prime
- Lens:** Acrylic (PMMA)
Polycarbonate (PC)
Tempered Glass

Photometric Information:

- CRI:** 75
80 min. option available
- CCT:** 5000K (cool white)
4000K (neutral white)

*Wireless and DALI controls available for select models, please reference the controls brochure

All values typical unless otherwise stated (tolerance +/- 10%)

DuroSite LED High Bay - CE

Variable Dimming Models



Patent pending

Features & Benefits

- 3 meter, 5 core PVC cable pre-installed
- Multiple High Bays can be connected to the same dimmer
- May also be configured to operate in a single STEP dimming configuration, please consult technical department

Mechanical Information:

Fixture weight:	8.16kg (18lbs)
Shipping weight:	10.8kg (24lbs)
Mounting:	Hook (supplied) or Swivel bracket (supplied separately)
Cabling:	3m (10') PVC Power Cord

Variable Dimming:

Variable Dimming Cable: Dimming connections included in factory installed 5 core cable. Multiple high bays can be connected to the same dimmer, consult dimming instructions and manufacturer

Variable Dimming Control: 0-10V DC

Dimming Range: 10V DC = 100% light output
0V DC = 30% light output

Electrical Specifications for High Bay:

Operating Voltage:	100 – 277V AC
Total system power consumption:	See table
Operating Temp:	-40°C to +65°C (-40°F to +149°F)
Harmonics:	IEC 61000-3-2
Noise requirement /EMC:	EN 61000-3-2: 2006 EN 61547: 2009
Transient protection:	6kV/2 ohm, 1.2/50us, 8/20us combination wave, as per IEEE C62.41, line-line and line-ground
THD:	<20%
Power Factor:	> 0.9

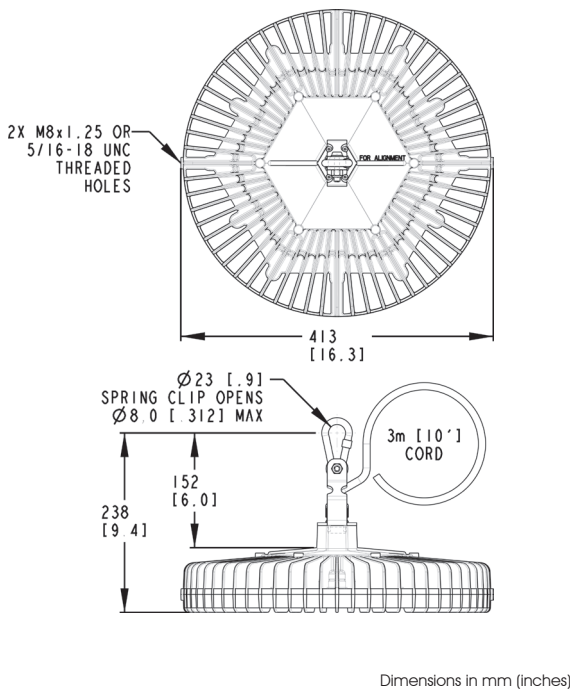
Construction:

Housing:	Copper free aluminum
Finish:	Superior dual coat finish - Sealed polyester topcoat - Chemical-resistant epoxy prime
Lens:	Acrylic (PMMA) Polycarbonate (PC) Tempered Glass

Photometric Information:

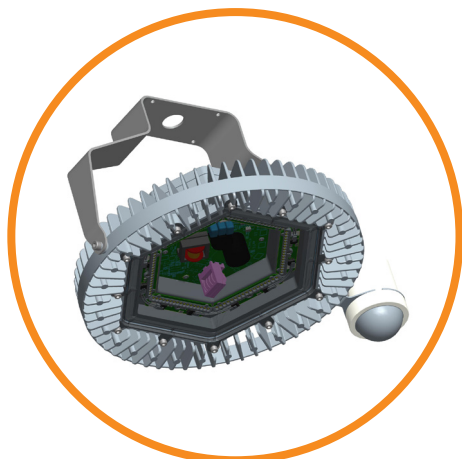
CRI:	75
CCT:	5000K (cool white) 4000K (neutral white)

All values typical unless otherwise stated (tolerance +/- 10%)

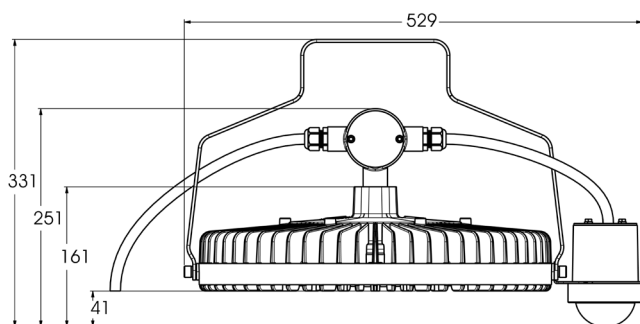


DuroSite LED High Bay - CE

Automatic daylight dimming and occupancy sensor



Patent pending



Dimensions in mm (inches)

Features & Benefits

- No additional electrical connections required
- Once installed, the lights can be programmed and set up from the ground using the remote control (sold separately, for full list of part codes, see table 'Ordering Information')
- Allows user to maximise their energy savings by having the lights on only when needed
- Senses heat movement across the sensing zones - consult factory for more details
- Consult factory for recommended installation guidelines and applications
- The sensor is covered by a 5-year manufacturers warranty

Mechanical Information:

Fixture weight:	8.4kg (18.5 lbs)
Shipping weight:	13.8kg (29lbs)
Mounting:	Hook (supplied) or Swivel bracket (supplied separately)

Cabling:	3m (10') PVC Power Cord
-----------------	-------------------------

Occupancy Sensor:

Sensor Mounting:	Cable input 3 metre 3 core cable fitted
-------------------------	---

Sensor Timing / Non dimming model:	1, 5, 10, 15 and 30 minutes
---	-----------------------------

Dimming model:	On, Off, 1, 10, 30 and 60 minutes
-----------------------	-----------------------------------

Sensor operation:	Dependant on application and height, please consult technical department
--------------------------	---

Operating voltage:	230 / 240V AC only
---------------------------	--------------------

Operating Temperature:	-30°C + 50°C (-22°F + 122°F)
-------------------------------	------------------------------

IP Rating:	IP54 to EN60529
-------------------	-----------------

Electrical Specifications for High Bay:

Operating Voltage:	100 – 277V AC
---------------------------	---------------

Total system power consumption:	See table
--	-----------

Operating Temp:	-40°C to +65°C (-40°F to +149°F)
------------------------	----------------------------------

Harmonics:	IEC 61000-3-2
-------------------	---------------

Noise requirement /EMC:	EN 61000-3-2: 2006 EN 61547: 2009
--------------------------------	--------------------------------------

Transient protection:	6kV/2 ohm, 1.2/50us, 8/20us combination wave, as per IEEE C62.41, line-line and line-ground
------------------------------	---

THD:	<20%
-------------	------

Power Factor:	> 0.9
----------------------	-------

Construction:

Housing:	Copper free aluminum
-----------------	----------------------

Finish:	Superior dual coat finish - Sealed polyester topcoat - Chemical-resistant epoxy prime
----------------	---

Lens:	Acrylic (PMMA) Polycarbonate (PC) Tempered Glass
--------------	--

Photometric Information:

CRI:	75
-------------	----

CCT:	5000K (cool white) 4000K (neutral white)
-------------	---

All values typical unless otherwise stated (tolerance +/- 10%)

DuroSite LED High Bay - CE

Options and Accessories



HBXW3

- Aluminium swivel bracket
- For 8,500 -17,500lm High Bays only



HBXW3-SSL-316M

- 306 Stainless steel bracket
- For 8,500 -17,500lm High Bays only

HBXW3-SSL-304M

- 304 Stainless steel bracket
- For 8,500 -17,500lm High Bays only



FLX-1HBX-SS

- 304 Stainless steel forward throw bracket



HBXSBDK

- Sand blast kit (dome lens)

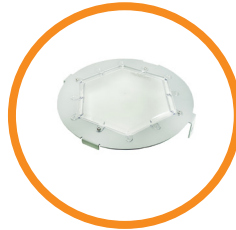
HBXSBDL

- Sacrificial dome lens



HBXGS

- Glare shield (internal use only, for use with flat lens)



HBXSBK

- Sand blast kit (flat lens)

HBXSBL

- Sacrificial flat lens



HLXW3-SS

- Swivel Bracket
- Stainless Steel
- For 25,000lm High Bays only

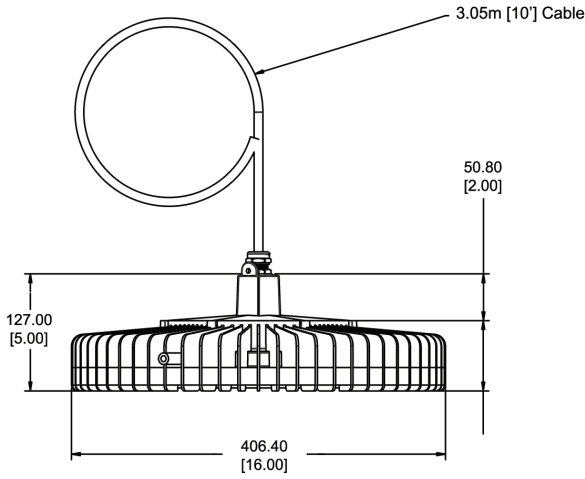
HLXW3

- Swivel Bracket (Grey powder coated)
- For 25,000lm High Bays only

DuroSite LED High Bay - CE

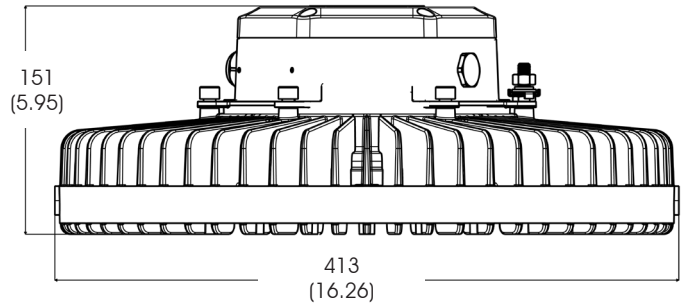
Options and Accessories Drawings

HBXXXX-EU (Standard models)



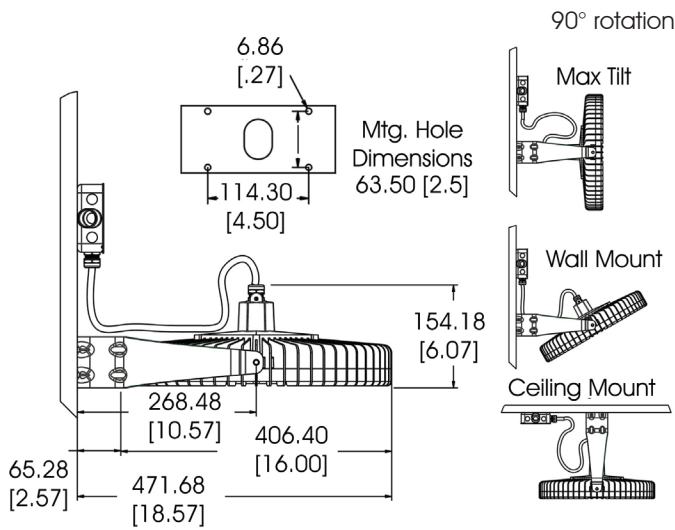
Dimensions in mm [Inches]

HBJXXXX-EU (Junction box types)



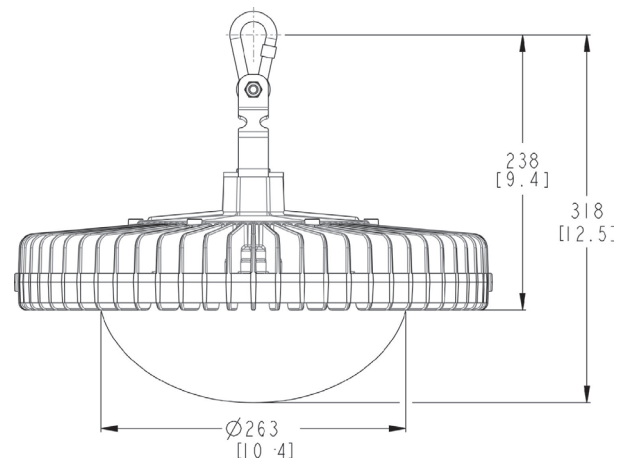
Dimensions in mm [Inches]

HBXW3



Dimensions in mm [Inches]

HBLXXX-EUH (Dome lens type)

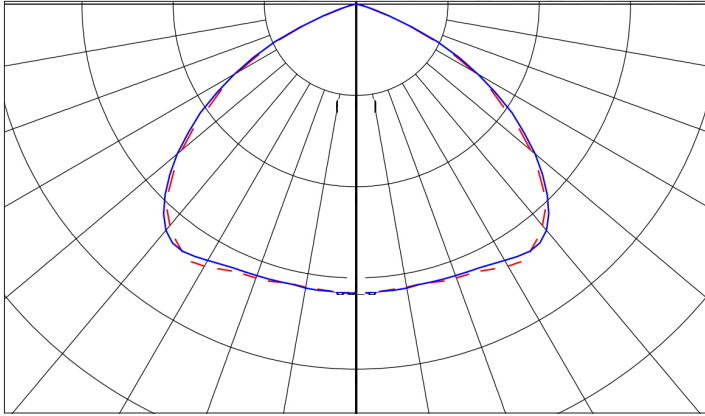


Dimensions in mm [Inches]

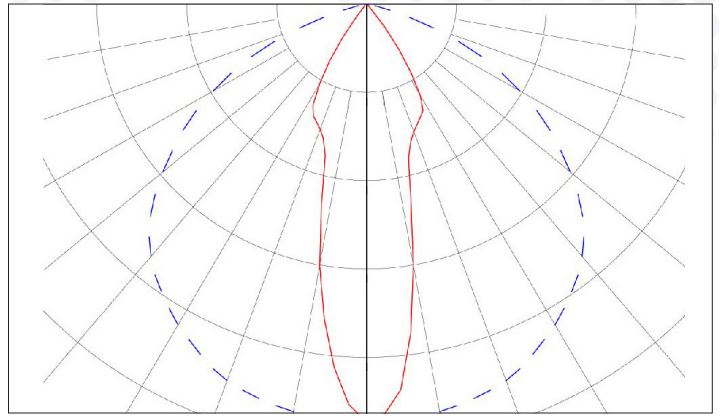
DuroSite LED High Bay - CE

Light Distribution

Circular pattern



Aisle pattern



DuroSite LED High Bay - CE

Ordering Information

Part Number	Initial Fixture Lumens	Wattage	Lm/W	IP Rating	Voltage	Colour Temperature (CCT)	Lens	Light Distribution
10 year warranty - Standard Models								
HLGC4KN-EUH-10YR	25,000	270	93	IP66	100 - 277V AC	5000K (cool white)	Clear Tempered glass	Circular
HBGCMPEUJH	17,500	172	102	IP66	100 - 277V AC	5000K (cool white)	Clear Tempered glass	Circular
HBG4PEUJH	14,500	161	90	IP66	100 - 277V AC	5000K (cool white)	Clear Tempered glass	Circular
HBLCMPEUJH	15,000	172	87	IP66	100 - 277V AC	5000K (cool white)	Diffused Polycarbonate	Circular
HBEC4PEUJH	13,000	150	86	IP66	100 - 277V AC	5000K (cool white)	Clear Tempered glass	Aisle
10 year warranty - Variable Dimming Models								
HLGC4KN-EUDH-10YR	25,000	270	93	IP66	100 - 277V AC	5000K (cool white)	Clear Tempered glass	Circular
HBGCMPEUDH	17,500	172	102	IP66	100 - 277V AC	5000K (cool white)	Clear Tempered glass	Circular
HBG4PEUDH	14,500	161	90	IP66	100 - 277V AC	5000K (cool white)	Clear Tempered glass	Circular
HBEC4PEUDH	13,000	150	87	IP66	100 - 277V AC	5000K (cool white)	Clear Tempered glass	Aisle
5 year warranty - Standard Models								
HBEC4N-EUH	11,750	146	80	IP66	100 - 277V AC	5000K (cool white)	Clear Tempered glass	Aisle
HB1C4N-EUH	11,500	146	79	IP66	100 - 277V AC	5000K (cool white)	Clear Acrylic	Circular
HB5C4N-EUH	10,750	146	74	IP66	100 - 277V AC	5000K (cool white)	Diffused Acrylic	Circular
HB0C4M-EUH	10,750	146	74	IP66	100 - 277V AC	5000K (cool white)	Clear Polycarbonate	Circular
HB2C4M-EUH	10,000	146	68	IP66	100 - 277V AC	5000K (cool white)	Diffused Polycarbonate	Circular
HB7C4M-EUH	10,000	146	68	IP66	100 - 277V AC	5000K (cool white)	Diffused Polycarbonate	Aisle
5 Year Warranty - Occupancy Sensor Models								
HBJGCMPEUOS	17,500	172	102	IP66	100 - 277V AC	5000K (cool white)	Clear Tempered glass	Circular
HBJG4PEUOS	14,500	161	90	IP66	100 - 277V AC	5000K (cool white)	Clear Tempered glass	Circular
HBJG4PEUOSD	14,500	161	90	IP66	100 - 277V AC	5000K (cool white)	Clear Tempered glass	Circular
HBJ1C4N-EUOS	11,500	146	79	IP66	100 - 277V AC	5000K (cool white)	Clear Acrylic	Circular
HBJ5C4N-EUOS	10,750	146	74	IP66	100 - 277V AC	5000K (cool white)	Diffused Acrylic	Circular
HBJ0C4M-EUOS	10,750	146	73	IP66	100 - 277V AC	5000K (cool white)	Clear Polycarbonate	Circular
HBJ2C4M-EUOS	10,000	146	68	IP66	100 - 277V AC	5000K (cool white)	Diffused Polycarbonate	Circular
HBJ7C4M-EUOS	10,000	146	68	IP66	100 - 277V AC	5000K (cool white)	Diffused Polycarbonate	Aisle
5 Year Warranty - Variable Dimming Models								
HBEC4N-EUDH	11,750	146	80	IP66	100 - 277V AC	5000K (cool white)	Clear Tempered glass	Circular
HB1C4N-EUDH	11,500	146	79	IP66	100 - 277V AC	5000K (cool white)	Clear Acrylic	Circular
HB5C4N-EUDH	10,750	146	74	IP66	100 - 277V AC	5000K (cool white)	Diffused Acrylic	Circular
HB0C4M-EUDH	10,750	146	73	IP66	100 - 277V AC	5000K (cool white)	Clear Polycarbonate	Circular
HB2C4M-EUDH	10,000	146	68	IP66	100 - 277V AC	5000K (cool white)	Diffused Polycarbonate	Circular
HB7C4M-EUDH	10,000	146	68	IP66	100 - 277V AC	5000K (cool white)	Diffused Polycarbonate	Aisle
5 Year Warranty - Occupancy Sensor with Dimming Models								
HBJGCMPEUOSD	17,500	172	102	IP66	100 - 277V AC	5000K (cool white)	Clear Tempered glass	Circular
HBJG4PEUOSD	14,500	161	90	IP66	100 - 277V AC	5000K (cool white)	Clear Tempered glass	Circular
HBJ1C4N-EUOSD	11,500	146	79	IP66	100 - 277V AC	5000K (cool white)	Clear Acrylic	Circular
HBJ5C4N-EUOSD	10,750	146	74	IP66	100 - 277V AC	5000K (cool white)	Diffused Acrylic	Circular
HBJ0C4M-EUOSD	10,750	146	73	IP66	100 - 277V AC	5000K (cool white)	Clear Polycarbonate	Circular
HBJ2C4M-EUOSD	10,000	146	68	IP66	100 - 277V AC	5000K (cool white)	Diffused Polycarbonate	Circular
HBJ7C4M-EUOSD	10,000	146	68	IP66	100 - 277V AC	5000K (cool white)	Diffused Polycarbonate	Aisle

Notes for all models:

¹ Part numbers listed in the above table are cool white. For neutral white models replace the 4th character with an **N** Ex: HB1C4N-EUH becomes HB1N4N-EUH

² Part numbers listed in the above table are 70 CRI cool white. For 80 CRI cool white models replace the 4th character with an **B** Ex: HB1C4N-EUH becomes HB1B4N-EUH. For 80 CRI neutral white models replace the 4th character with an **M** Ex: HB1C4N-EUH becomes HB1M4N-EUH. Choosing 80 CRI will decrease the lumen output by 20%

³ Third party occupancy sensors contained in or attached to the Products are covered by the applicable manufacturer warranty.

Notes for standard models only:

⁴ Numbers listed in the tables above come with a flat lens. These can be ordered with a polycarbonate dome lens; replace 3rd character with an **L** Ex: HB1C4N-EUH becomes HB1LC4N-EUH

⁵ For junction box models; add a **J** after the 2nd character Ex: HB1C4N-EUH becomes HB1JC4N-EUH (not applicable for 25,000 High Bay)

