



On when
it counts.



Patent Pending

Certifications & Ratings

- CE - EN 55015: 2006 / EN 61547: 2009 / EN 60598: 2008
- UL 1598/A (pending)
- UL 8750 (pending)
- CSA C22.2 NO.25 (pending)
- IP66/67
- RoHS compliant

Features & Benefits

- L70 rated for >100,000 hours @ 25°C ambient
- 5 year full performance warranty
- Instant on/off operation
- Mercury free, lead free
- Resistant to shock and vibration
- Red and Green LED colour available upon request

Mechanical Information:

Fixture weight:	8.8kg (19 lbs)
Fixture weight:	10.4 kg (23 lbs)
Fixing:	All cable entries are drilled and tapped see ordering options.

Electrical Specifications:

Operating Voltage:	100-277VAC, 50/60 Hz
Total system power consumption:	See table
Operating Temp:	-40°C to +50°C (-40°F to +122°F)
Harmonics:	IEC 61000-3-2
Noise Requirements / EMC:	FCC Title 47, Subpart B, Section 15, class B device. RF Immunity; 10V/m, 80MHz-1GHz
Transient protection:	EN 61000-4-5 1kV line to line, 2 kV line to ground
THD:	<20%
Power Factor:	> 0.9

Construction:

Housing:	Copper free aluminum
Finish:	Superior dual coat finish - Sealed polyester topcoat - Chemical-resistant epoxy primer

Mounting Bracket: 316 stainless steel

Lens: High impact resistant clear glass
High impact resistant frosted glass

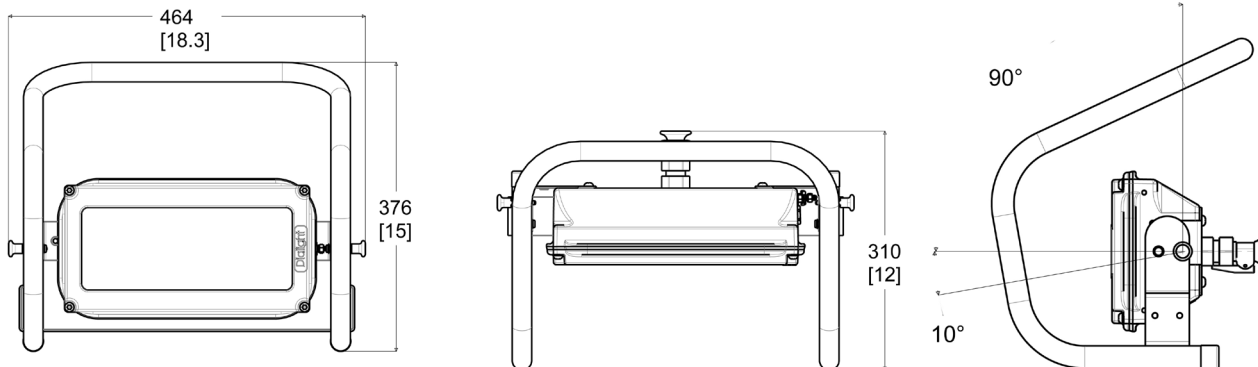
Photometric Information:

CRI:	70
CCT:	4300K (neutral white) 5650K (cool white)
IES Files:	see www.dialight.com

All values typical unless otherwise stated (tolerance +/- 10%)



Bulkhead Dimensions



Dimensions are in mm [inches]

Part Number	Initial Fixture Lumens	Wattage	Lm/W	IP Rating	Voltage	Colour Temperature (CCT)	Lens	Light Distribution
TW-2C3L-SYWC	2,250	34	66	IP66/67	100-277V AC	5650K (cool white)	Clear Glass	Wide
TW-2N3L-SYWC	2,250	34	66	IP66/67	100-277V AC	4300K (neutral white)	Clear Glass	Wide
TW-4C3L-SYWC	2,250	34	66	IP66/67	100-277V AC	5650K (cool white)	Clear Glass	Oval (35° X 55°)
TW-4N3L-SYWC	2,250	34	66	IP66/67	100-277V AC	4300K (neutral white)	Clear Glass	Oval (35° X 55°)

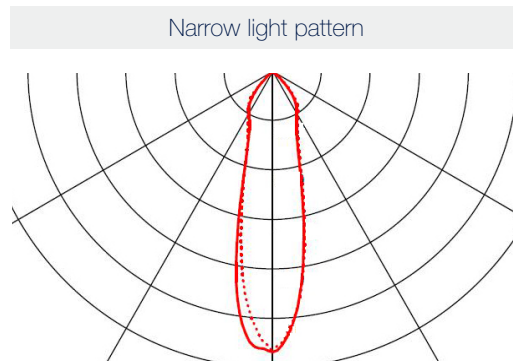
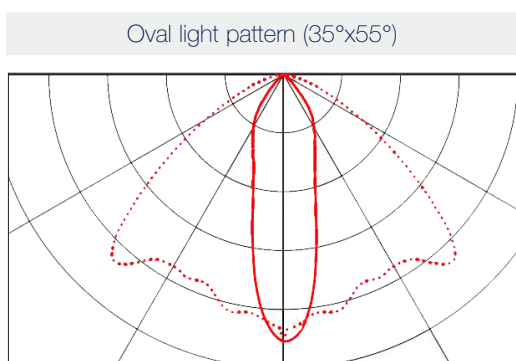
All values typical unless otherwise stated, Lumen values are typical (tolerance +/- 10%).

For frosted glass models replace the 12th character with a E TW-2C3L-SYWC becomes TW-2C3L-SYWE (Frosted lens option will reduce lumen output by 6%)



WP-CM-SB

- Sand blast shield



Dialight reserves the right to make changes at any time in order to supply the best product possible. The most current version of this document will always be available at: www.dialight.com/Assets/Brochures_And_Catalogs/Illumination/MDEXWPTW001.pdf

Warranty Statement: EXCEPT FOR THE WARRANTY EXPRESSLY PROVIDED FOR [HEREIN/ABOVE/BELOW], DIALIGHT DISCLAIMS ANY AND ALL OTHER WARRANTIES, EXPRESS OR IMPLIED, INCLUDING, WITHOUT LIMITATION, ANY WARRANTIES OF MERCHANTABILITY, FITNESS FOR A PARTICULAR PURPOSE, TITLE, AND NON-INFRINGEMENT.