



Dialight

The image shows a large industrial warehouse interior. The ceiling is a complex structure with multiple levels of corrugated metal panels and a network of pipes. Several circular LED high bay lights are mounted on the ceiling, illuminating the space. The walls are also made of corrugated metal. In the foreground, there are stacks of materials, including what appears to be a roll of white material and some wooden pallets. The floor is a smooth, light-colored concrete. The overall atmosphere is clean and professional.

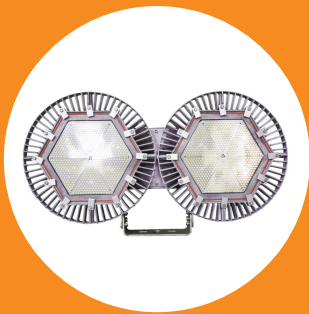
DuroSite[®] LED High Bay - 70°C - CE

for Indoor and Outdoor Industrial Applications



On when it matters most.

Products and solutions that protect your business





Features & Benefits

- L70 rated for >100,000 hours @ 25°C
- 5 year full performance warranty
- Instant on/off operation
- Superior colour rendition index compared to HPS, LPS, MV
- Mercury free, lead free
- Replaces up to 400 Watt HID light sources
- Resistant to shock and vibration
- Temperature compensation technology for longer life

Application

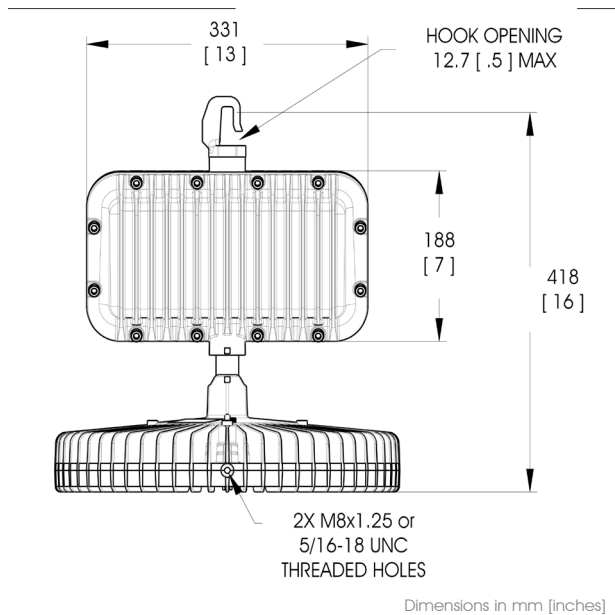
The first of its kind, the Dialight DuroSite LED High Bay luminaire was designed specifically to replace conventional lighting in a wide variety of industrial applications, both indoor and outdoor. Its low profile, light weight design and versatile mounting options make it ideal for many applications such as high bay lighting for warehouse, factories, cold stores, restricted access areas, service areas and other applications.

DuroSite LED High Bay - 70°C - CE

HLGC4ANEUH-70C - Standard Model



Patent pending



Certifications & Ratings

- CE
- EN 55015:2006
- EN 61547:2009
- EN 60598:2008
- BS EN 62471:2008
- IEC60068 salt spray testing- severity 1
- IP66 to EN60529

Mechanical Information:

Fixture weight:	13.6 kg (30 lbs)
Shipping weight:	15.88 kg (35 lbs)
Mounting:	Hook (supplied) For other options consults factory
Cabling:	Factory installed 3 meter 3 core PVC cable. Custom cable lengths available (consult factory)

Electrical Specifications:

Operating Voltage:	100 – 277V AC
Total system power consumption:	See table
Operating Temp:	-40°C to +70°C (-40°F to +158°F)
Harmonics:	IEC 61000-3-2
Transient protection:	EN 61000-4-5 6kV/2 ohm, 1.2/50us, 8/20us combination wave, as per IEEE C62.41, line-line and line-ground
THD:	<20%
Power Factor:	> 0.9

Construction:

Housing:	Copper free aluminum
Finish:	Superior dual coat finish - Sealed polyester topcoat - Chemical-resistant epoxy prime
Lens:	Tempered glass

Photometric Information:

CRI:	75
CCT:	5000K (cool white)

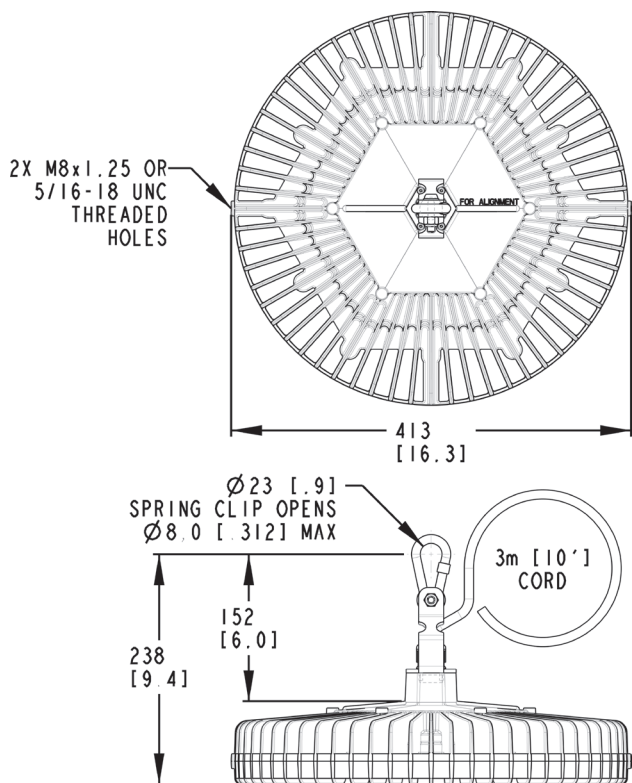
All values typical unless otherwise stated (tolerance +/- 10%)

DuroSite LED High Bay - 70°C - CE

HBGC4PEUH-70C & HBGCMPEU-70C - Standard Models



Patent pending



Dimensions in mm [Inches]

Certifications & Ratings

- CE
- EN 55015:2006
- EN 61547:2009
- EN 60598:2008
- BS EN 62471:2008
- IEC60068 salt spray testing- severity 1
- IP66 to EN60529

Mechanical Information:

- Fixture weight:** 8.16kg (18lbs)
- Shipping weight:** 10.8kg (24lbs)
- Mounting:** Hook (supplied) or Swivel bracket (supplied separately)
- Cabling:** Factory installed 3 meter 3 core PVC cable. Custom cable lengths available (consult factory)

Electrical Specifications:

- Operating Voltage:** 100 – 277V AC
- Total system power consumption:** See table
- Operating Temp:** -40°C to +70°C (-40°F to +158°F)
- Harmonics:** IEC 61000-3-2
- Transient protection:** EN 61000-4-5
6kV/2 ohm, 1.2/50us, 8/20us combination wave, as per IEEE C62.41, line-line and line-ground
- THD:** <20%
- Power Factor:** > 0.9

Construction:

- Housing:** Copper free aluminum
- Finish:** Superior dual coat finish
- Sealed polyester topcoat
- Chemical-resistant epoxy prime
- Lens:** Tempered Glass

Photometric Information:

- CRI:** 75
 - CCT:** 5000K (cool white)
- All values typical unless otherwise stated (tolerance +/- 10%)

DuroSite LED High Bay - 70°C - CE

Options and Accessories



HBXW3

- For HBGC4PEUH-70C & HBGCMPEU-70C
- Aluminium swivel bracket



HBXW3-SSL-316M

- For HBGC4PEUH-70C & HBGCMPEU-70C
- 306 Stainless steel bracket

HBXW3-SSL-304M

- 304 Stainless steel bracket
- HBGC4PEUH-70C & HBGCMPEU-70C



FLX-1HBX-SS

- For HBGC4PEUH-70C & HBGCMPEU-70C
- 304 Stainless steel forward throw bracket



HLXW3-SS

- For HLG4ANEUH-70C High Bays only
- Swivel Bracket
- Stainless Steel

HLXW3

- For HLG4ANEUH-70C High Bays only
- Swivel Bracket (Grey powder coated)



HBXGS

- Glare shield (internal use only, for use with flat lens)

DuroSite LED High Bay - 70°C - CE

Ordering information and Light Distribution Patterns

Part Number	Initial Fixture Lumens	Wattage	Lm/W	IP Rating	Voltage	Colour Temperature (CCT)	Lens	Light Distribution
HLGC4ANEUH-70C	17,000	270	63	IP66	100 - 277V AC	5000K (cool white)	Clear tempered glass	Circular
HBGC4PEUH-70C	14,000	172	81	IP66	100 - 277V AC	5000K (cool white)	Clear tempered glass	Circular
HBGCMPEU-70C	12,000	172	70	IP66	100 - 277V AC	5000K (cool white)	Clear tempered glass	Circular

All values typical unless otherwise stated, Lumen values are typical (tolerance +/- 10%).

Notes for all models:

17,000 lm and 14,000lm models come complete with hook

