

# .....Dialight



## **DuroSite® LED Shower Safe Emergency Bulkhead Luminaire - CE**

for Indoor and Outdoor Industrial Applications



# On when it matters most.

---

Products and solutions that protect your business





## Features & Benefits

- 5 year full performance warranty (battery not Included)
- 360° visibility
- Instant on/off operation
- Mercury free, lead free
- LED indicator for fixture battery monitoring
- Resistant to shock and vibration
- L70 rated for >100,000 hours @ 45°C ambient

## Application

The Dialight DuroSite LED Shower Safe Emergency Bulkhead luminaire has a rugged design to ensure long life and high reliability when used to identify emergency showers on large industrial sites. Specially designed optics and 360° viewing angle make this a high visibility light unit for this application. This self-contained maintained emergency luminaire offers a minimum of 3 hours of illumination equal to 10% of the standard output.

# DuroSite LED Shower Safe Emergency Bulkhead Luminaire - CE Emergency Models



### Certifications & Ratings

- CE  
EN 55015:2006  
EN 61547:2009  
EN 60598-2-22:1999
- IEC 60068 salt spray testing - severity 1
- IK10 to EN 50102
- IP66 to EN 60529

### Mechanical Information:

- Fixture weight:** 5.4 kg (11.9 lb)  
**Shipping weight:** 6 kg (12.9 lb)  
**Cabling:** All cable entries are drilled and tapped see ordering options

### Electrical Specifications:

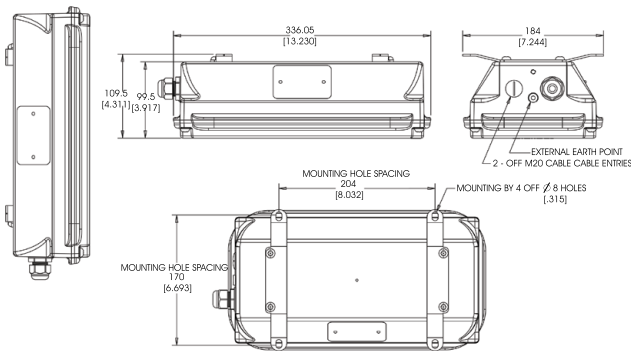
- Operating Voltage:** 230 / 240V AC  
**Total system power consumption:** See table  
**Operating Temp:** 0°C to +50°C (-20°C models available)  
**Harmonics:** IEC 61000-3-2  
**Transient protection:** EN-61000-4-5  
1 kV line to line, 2 kV line to ground  
**THD:** <20%  
**Power Factor:** > 0.9  
**Input Current:** 110mA  
**Battery:** 3.6V 4Ah Nimh  
**Battery Life:** 4 years  
**Battery duration:** >3 hours

### Construction:

- Housing:** Copper free aluminium  
**Finish:** Superior dual coat finish  
- Sealed polyester topcoat  
- Chemical-resistant epoxy primer  
**Lens:** Polycarbonate  
**Mounting Brackets:** 316 stainless steel  
**Stanchion Brackets:** Copper free LM6 cast aluminium

### Photometric Information:

- Dominant Wavelength:** 530.0 nm  
 All values typical unless otherwise stated

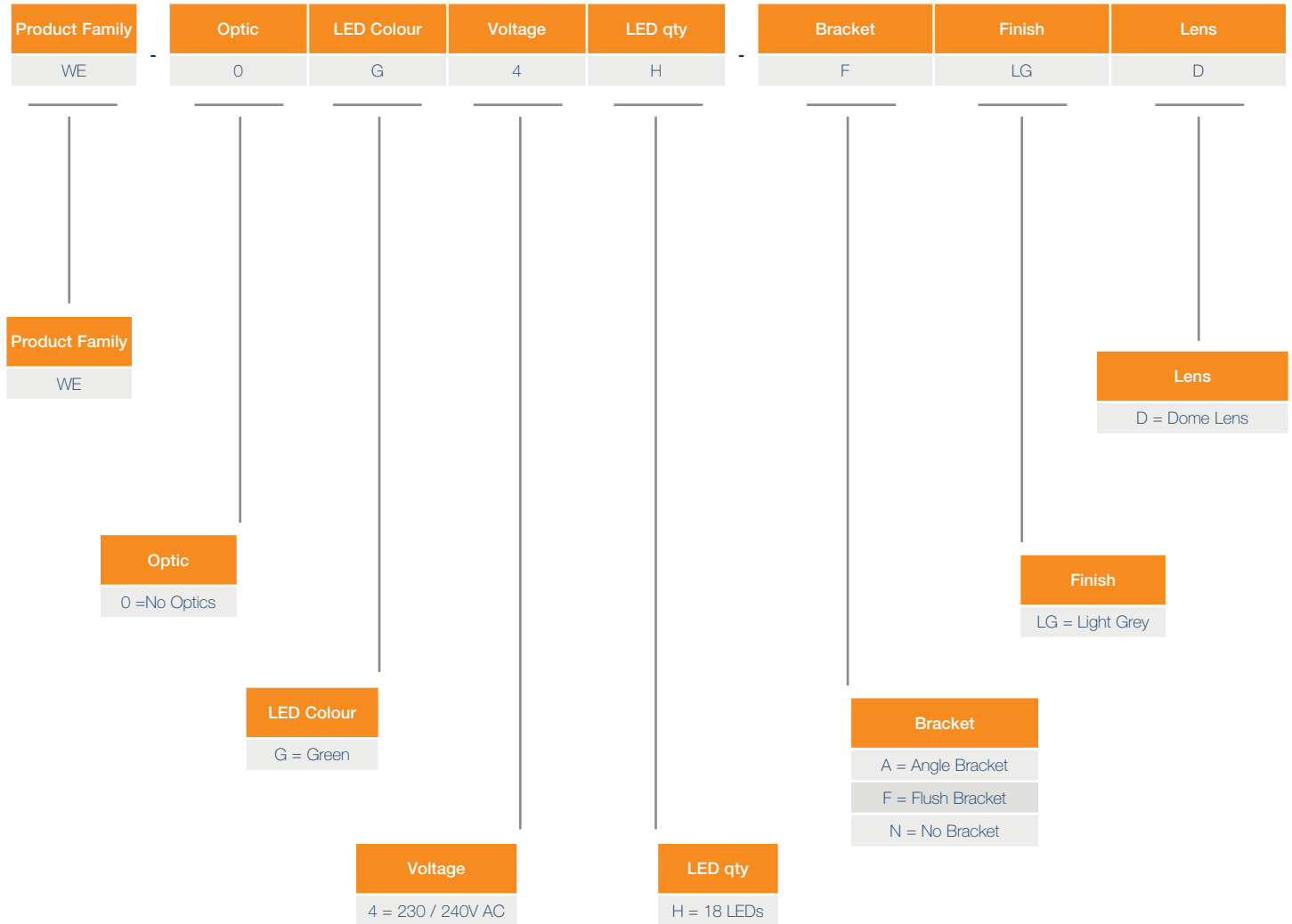


Dimensions in mm [Inches]  
Shown with optional flush brackets attached

# DuroSite LED Shower Safe Emergency Bulkhead Luminaire - CE

## Ordering Information

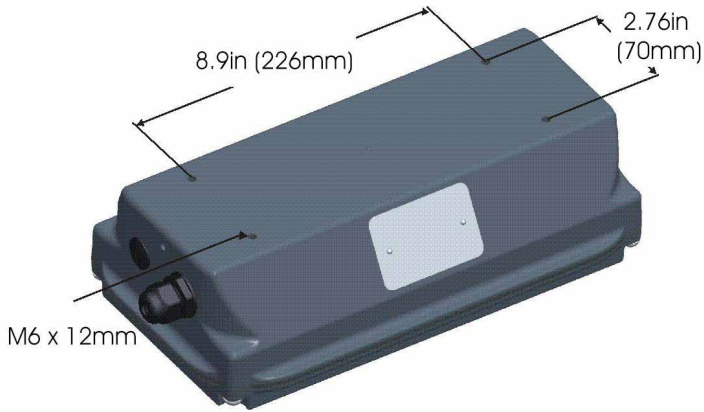
Example: WE-0G4H-FLGD



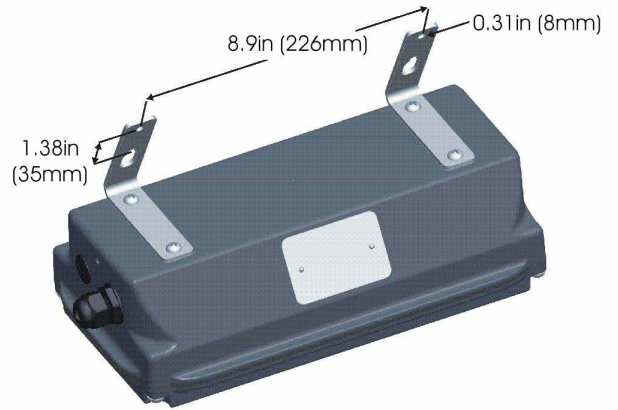
# DuroSite LED Shower Safe Emergency Bulkhead Luminaire - CE

## Mounting Diagrams

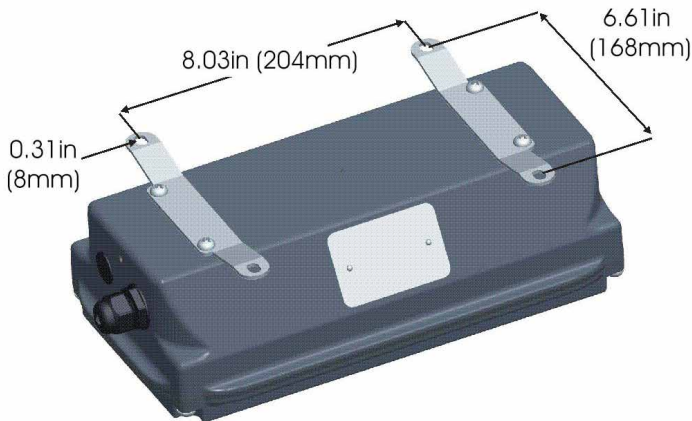
Without Bracket



30° Angle Bracket



Flush Bracket

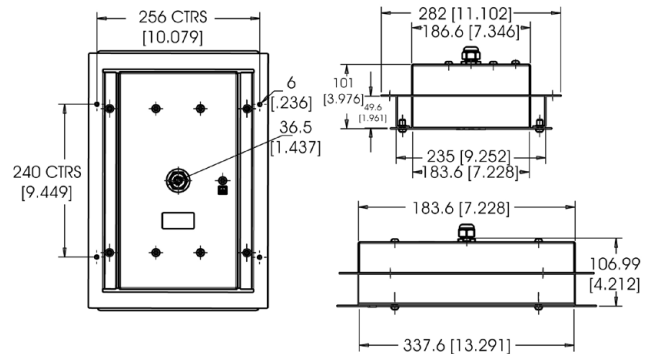
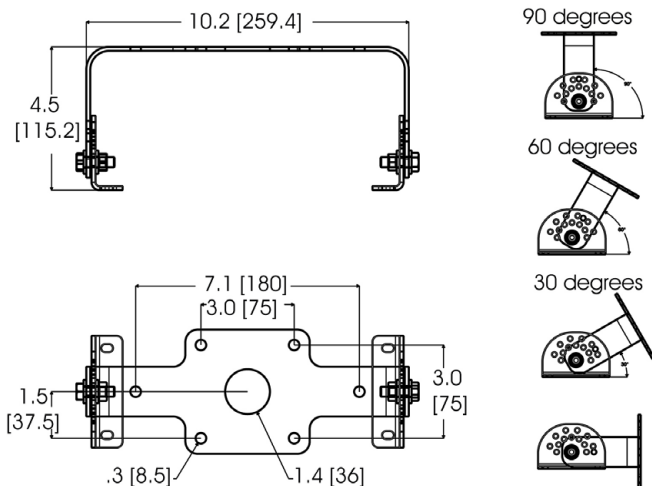


WP-STMB-LG00-XX



WP-BRKT-SS-ADJ

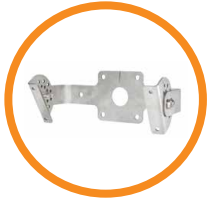
Recessed Housing



Dimensions in mm [Inches]

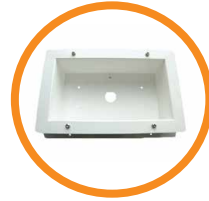
# DuroSite LED Shower Safe Emergency Bulkhead Luminaire - CE

## Ordering Information



### WP-BRKT-SS-ADJ

- Adjustable bracket



### WP-RECESS-WH

- Recessed housing
- Bracket to fixture hardware



### WP-STMB-LG00- 22

- BSP threaded straight stanchion mounting bracket
- Copper free LM6 material with EPDM gasket applied and 2 M6 grub screws
- Stanchion mount bracket comes with BSP 1 1/2" threaded base that fits 1 1/2" pole
- Other threading options available, MOQ applies
- Recommended to be used with WEA5 versions

### WP-STMB-LG00 -24

- NPT threaded straight stanchion mounting bracket
- Copper free LM6 material with EPDM gasket applied and 2 M6 grub screws
- Stanchion mount bracket comes with NPT 1 1/2" threaded base that fits 1 1/2" pole
- Other threading options available, MOQ applies
- Recommended to be used with WEA5 versions



### WP-STMB-LG25-22

- BSP threaded 25° stanchion mounting bracket
- Copper free LM6 material with EPDM gasket applied and 2 M6 grub screws
- Stanchion mount bracket comes with BSP 1 1/2" threaded base that fits 1 1/2" pole
- Other threading options available, MOQ applies
- Recommended to be used with WEA5 versions

### WP-STMB-LG25-24

- NPT threaded 25° stanchion mounting bracket
- Copper free LM6 material with EPDM gasket applied and 2 M6 grub screws
- Stanchion mount bracket comes with NPT 1 1/2" threaded base that fits 1 1/2" pole
- Other threading options available, MOQ applies
- Recommended to be used with WEA5 versions



### WPX-000799-BAT

- 4Ah 3.6V Battery module
- Replacement battery kit
- Battery backup models only



### WP-BRKT-LG-PF

- Pipe and flush bracket
- Includes self-tapping screws

### WP-BRKT-F-KIT

- Flush mounting bracket kit included
- Mounting hardware

### WP-BRKT-A-KIT

- 30° mounting bracket kit included
- Mounting hardware

