

Dialight



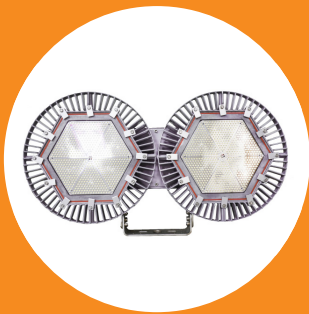
DuroSite[®] LED Linear Fixture - CE

for Indoor and Outdoor Industrial Applications



On when it matters most.

Products and solutions that protect your business





Features & Benefits

- L70 rated for >100,000 hours @ 25°C ambient
- 5 year full performance warranty
- Significant energy savings
- Low profile versus traditional HID fixtures
- Maintenance free
- Mercury free
- No UV or IR
- Resistant to water, salt, dust & vibration
- Temperature compensation technology for longer life
- Integrated wiring box

Application

Dialight's DuroSite® Low Profile LED linear replaces HID and fluorescent lighting fixtures in industrial applications. The luminaire's rugged solid state design makes it highly resistant to shock and vibration. Its fully-gasketed enclosure makes it suitable for dusty & wet locations, and guarantees added protection from water. The DuroSite® Low Profile LED Linear's superior design allows for wiring and mounting versatility and ease of installation for many lighting applications.

DuroSite LED Linear Fixture - CE

Standard Models



Certifications & Ratings

- CE
- EN 55015
- EN 61547
- EN 60598-1
- EN 61000-3-2
- EN 62031
- EN 62471
- IP66 / 67
- IK09 to IEC 62262

Mechanical Information:

- Fixture weight:** 6 kg (13 lbs) - 1.2m (4')
5 kg (10 lbs) - 0.6m (2')
- Shipping weight:** 10 kg (18 lbs) - 1.2m (4')
9 kg (15 lbs) - 0.6m (2')
- Mounting:** (4) M25 openings
Factory-installed 316 stainless steel swivel bracket - LPXW4

Electrical specifications:

- Operating Voltage:** 100-277V AC, 50/60 Hz
- Total system power consumption:** See table
- Operating Temp:** -40°C to +65°C
- Noise Requirements/ EMC:** EN 55015 - conducted and radiated
EN 61000-3-2, EN 61000-4-2, EN 61000-4-3, EN 61000-4-4
EN 61000-4-6, EN 61000-4-11
- Transient protection:** EN61000-4-5
4 kV line to line
4 kV line to ground
- THD:** < 20%
- Power Factor:** > 0.9

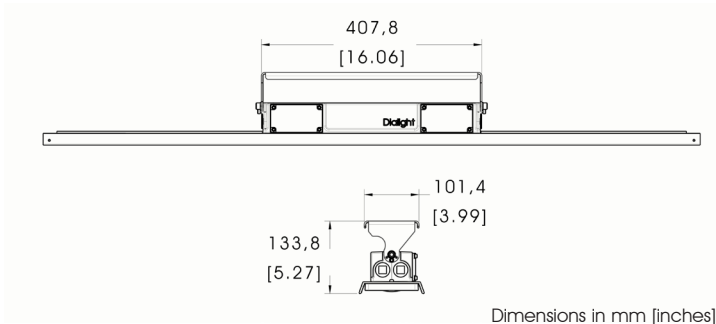
Construction:

- Housing:** Copper free aluminum
- Finish:** Superior dual coat finish
- Sealed polyester topcoat
- Chemical resistant epoxy primer
- Lens:** Polycarbonate

Photometric Information:

- CRI:** 75
- CCT:** 5000K (cool white)

All values typical unless otherwise stated (tolerance +/- 10%)



DuroSite LED Linear Fixture - CE

Mounting Options and Accessories



LPXW4LP

- Low profile mounting bracket
- Can be angled at 0° and 15°



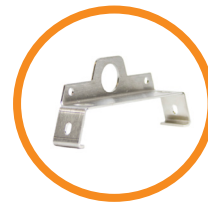
LPXW4

- Mounting bracket
- Can be angled at 0°, 30°, 45°, 60° & 90°



LTXSAFEKIT

- Safety Cable Kit for secondary retention



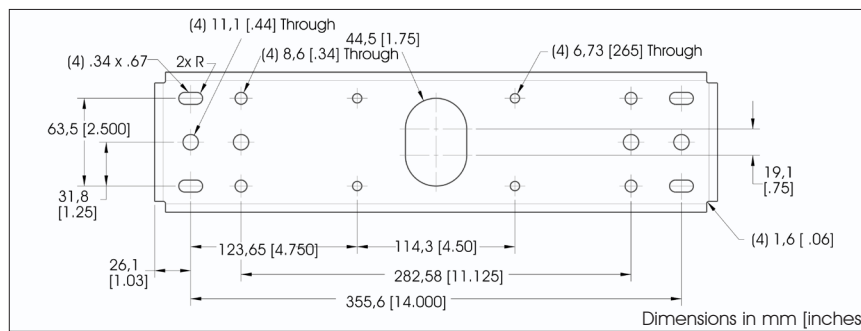
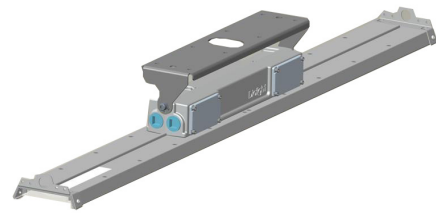
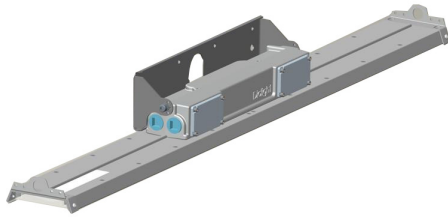
LTXENDCAPKIT

- Chain mount and secondary retention bracket

Mounting Bracket - LPXW4

Side Mount

Top Mount

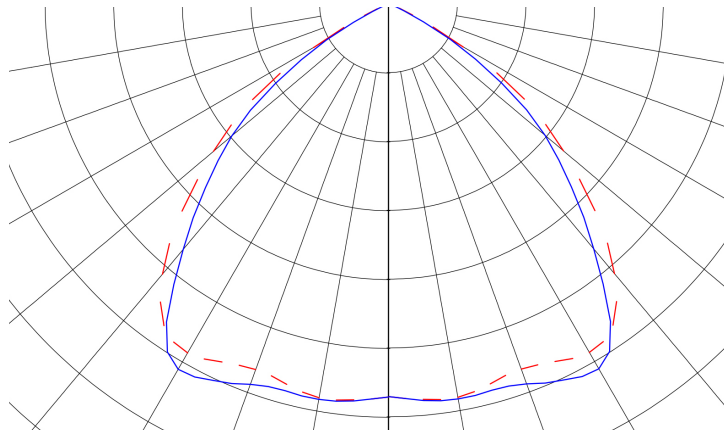


DuroSite LED Linear Fixture - CE

Light Distribution

Light Distribution Pattern

Medium pattern



DuroSite LED Linear Fixture - CE

Ordering Information

Part Number	Length	Initial Fixture Lumens	Wattage	Lm/W	IP Rating	Voltage	Colour Temperature (CCT)	Lens	Light Distribution
LPE3C4D2P	0.6m (2')	3,600	33	109	IP 66 / 67	100 - 277V AC	5000K (cool white)	Clear	Medium
LPE3C4M2P	1.2m (4')	7,250	66	110	IP 66 / 67	100 - 277V AC	5000K (cool white)	Clear	Medium
LPE3C4B2D	0.6m (2')	3,400	33	103	IP 66 / 67	100 - 277V AC	5000K (cool white)	Textured	Medium
LPE3C4H2D	1.2m (4')	6,900	66	105	IP 66 / 67	100 - 277V AC	5000K (cool white)	Textured	Medium
LPE3C4B2W	0.6m (2')	3,300	33	100	IP 66 / 67	100 - 277V AC	5000K (cool white)	Diffused	Medium
LPE3C4H2W	1.2m (4')	6,700	66	102	IP 66 / 67	100 - 277V AC	5000K (cool white)	Diffused	Medium

Notes:

¹Part numbers listed in the above table are cool white. For neutral white models replace the 5th character with an **N**. e.g.: LPE3**C**4D2P becomes LPE3**N**4D2P

²Expect a 10% reduction in Lumens for 80 CRI minimum fixtures

³All lumen values are typical (tolerance +/- 10%)

