

A photograph of an industrial facility, likely a factory or warehouse, featuring a complex network of large, silver, corrugated metal pipes. The pipes are supported by a steel truss ceiling structure. Several bright, circular high bay lights are suspended from the ceiling, illuminating the scene. A red fire alarm pull station is visible in the upper left corner. The bottom of the image is partially obscured by an orange curved graphic element.

Dialight

Vigilant[®] LED High Bay - CE
for Indoor and Outdoor Industrial Applications

CE

On when it matters most.

Products and solutions that protect your business





Features & Benefits

- 10 year full performance warranty
- L70 rated for >150,000 hours @ 25°C ambient
- 125 LPW
- Significantly reduced glare
- Instant on/off
- Maintenance free
- Mercury free
- No UV or IR
- Resistant to shock and vibration

Application

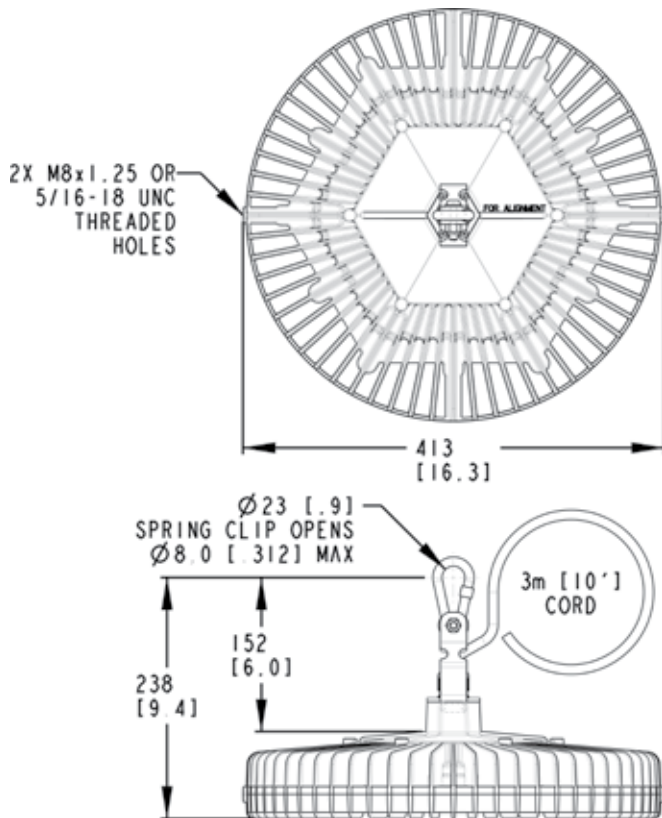
At 125 lumens per watt, Dialight's new ultra-efficient industrial LED High Bay revolutionises the world of LED lighting and is by far the most innovative LED fixture available today. With a market-leading 10 year full performance warranty, the new Vigilant® High Bay utilises cutting-edge optical and electrical design to provide for significantly reduced glare and superior light distribution.

Vigilant® LED High Bay - CE

Standard Models



Patent pending



Dimensions in mm (inches)

Certifications & Ratings

- CE
- EN 60598-1:2008
- EN 62471:2008
- EN 55015:2013
- EN 61000-3-2:2006 + A2:2009
- EN 61547:2009
- EN 61000-3-3:2013
- IEC60068
- Salt spray testing - severity 1
- IP66 to EN60529
- IK10 to EN50102 (Polycarbonate lens)
- IK06 to EN50102 (Acrylic lens)
- IK05 to EN50102 (Glass lens)
- D-Marking to EN60598 2-24

Mechanical Information:

Fixture weight:	8.16 kg (18 lbs)
Shipping weight:	10.8 kg (24 lbs)
Mounting:	Hook (supplied) or Swivel bracket (supplied separately)
Cabling:	3m (10') PVC Power Cord (Junction box models available)

Electrical Specifications:

Operating voltage:	110 – 277V AC: 25,750 & 26,500lm models 100 – 277V AC: 11,000, 14,000 & 18,000lm models
Total system power consumption:	See table
Operating temperature:	-40°C to +65°C (-40°F to +149°F)
Harmonics:	IEC 61000-3-2
Transient protection:	Protection devices capable of handling up to 6kV. Tested for 6kV/2 ohm combination wave, as per IEEE C62.41, line-line and line-ground
THD:	<20%
Power factor:	>0.9

Construction:

Housing:	Copper free aluminium
Finish:	Superior dual coat finish - Sealed polyester topcoat - Chemical-resistant epoxy primer
Lens:	Tempered glass

Photometric Information:

CRI:	75 80 min. option available
CCT:	5000K (cool white) 4000K (neutral white)

All values typical unless otherwise stated (tolerance +/- 10%)

*Wireless and DALI controls available for select models, please reference the controls brochure

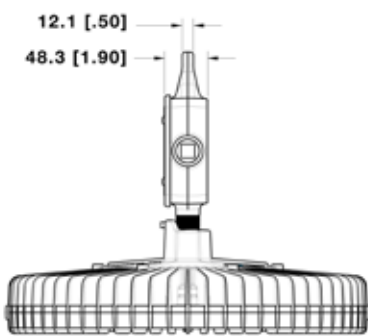
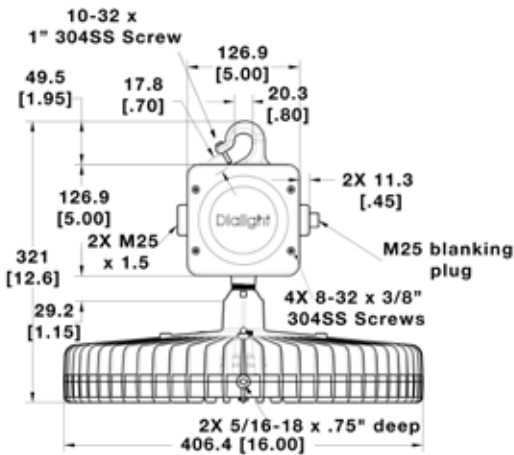
For information on chemical compatibility, please follow this link to reference Dialight's Chemical Compatibility Guide: www.dialight.com/pubs/MDTFCHEMRFLX001.PDF

Vigilant® LED High Bay - CE

Integrated Wiring Box



Patent pending



Dimensions in mm (inches)

Certifications & Ratings

- CE
 - EN 60598-1:2008
 - EN 62471:2008
 - EN 55015:2013
 - EN 61000-3-2:2006 + A2:2009
 - EN 61547:2009
 - EN 61000-3-3:2013
- IEC60068
 - Salt spray testing - severity 1
- IP66 to EN60529
- IK10 to EN50102 (Polycarbonate lens)
- IK06 to EN50102 (Acrylic lens)
- IK05 to EN50102 (Glass lens)
- D-Marking to EN60598 2-24

Mechanical Information:

- Fixture weight:** 9.07 kg (20 lbs)
- Shipping weight:** 11.8 kg (26 lbs)
- Hook Wiring:** 3 Position Terminal Block (L, N, Earth) for 0,5mm² to 4mm² sized conductors

Electrical Specifications:

- Operating voltage:**
 - 110 – 277V AC: 25,750 & 26,500lm models
 - 100 – 277V AC: 18,000, 14,000 & 11,000lm models
- Total system power consumption:** See table
- Operating temperature:** -40°C to +65°C (-40°F to +149°F)
- Harmonics:** IEC 61000-3-2
- Noise requirement/EMC:** FCC Title 47, Subpart B, Section 15, class A device. RF Immunity; 10V/m, 80MHz-1GHz
- Transient protection:** Protection devices capable of handling up to 6kV. Tested for 6kV/2 ohm combination wave, as per IEEE C62.41, line-line and line-ground
- THD:** <20%
- Power factor:** >0.9

Construction:

- Housing:** Copper free aluminium
- Finish:** Superior dual coat finish
 - Sealed polyester topcoat
 - Chemical-resistant epoxy primer
- Lens :** Tempered glass

Photometric Information:

- CRI:** 75
- CCT:**
 - 5000K (cool white)
 - 4000K (neutral white)

All values typical unless otherwise stated (tolerance +/- 10%)

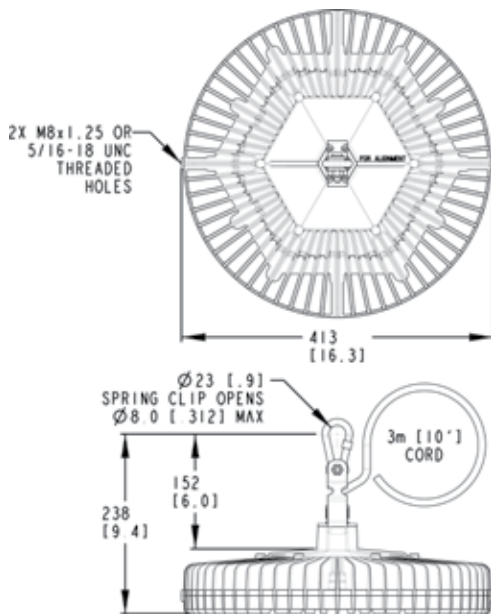
For information on chemical compatibility, please follow this link to reference Dialight's Chemical Compatibility Guide: www.dialight.com/pubs/MDTFCHEMRFLX001.PDF

Vigilant® LED High Bay - CE

Variable Dimming Models



Patent pending



Dimensions in mm (inches)

Features & Benefits

- 3 metre, 5 core PVC cable pre-installed
- Multiple High Bays can be connected to the same dimmer
- Junction box models available

Mechanical Information:

Fixture weight:	8.16 kg (18 lbs)
Shipping weight:	10.8 kg (24 lbs)
Mounting:	Hook (supplied) or Swivel bracket (supplied separately)
Cabling:	3m (10') PVC Power Cord (Junction box models available)

Variable Dimming:

Variable dimming cable: Dimming connections included in factory installed 5 core cable. Multiple High Bays can be connected to the same dimmer, consult dimming instructions and manufacturer

Variable dimming control: 0-10V DC
Typical dimmer range: 10V DC = 100% light output
 0V DC = 30% light output

Electrical Specifications for High Bay:

Total system power consumption:	See table
Harmonics:	IEC 61000-3-2
Noise requirement /EMC:	EN 61000-3-2: 2006 EN 61547: 2009
Transient protection:	6kV/2 ohm, 1.2/50us, 8/20us combination wave, as per IEEE C62.41, line-line and line-ground
THD:	<20%
Power factor:	>0.9

Construction:

Housing:	Copper free aluminium
Finish:	Superior dual coat finish - Sealed polyester topcoat - Chemical-resistant epoxy primer
Lens :	Acrylic (PMMA) Polycarbonate (PC) Tempered glass

Photometric Information:

CRI:	75
CCT:	5000K (cool white) 4000K (neutral white)

All values typical unless otherwise stated (tolerance +/- 10%)

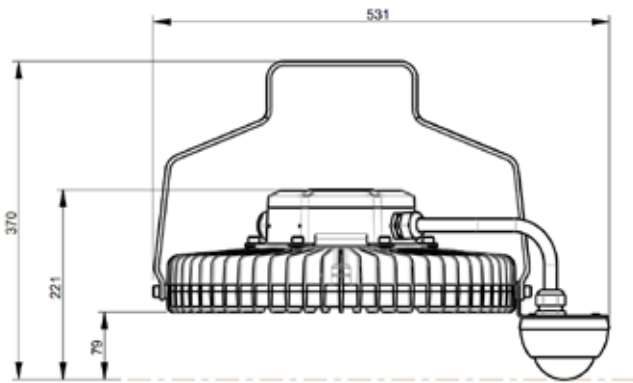
For information on chemical compatibility, please follow this link to reference Dialight's Chemical Compatibility Guide: www.dialight.com/pubs/MDTFCHEMRFLX001.PDF

Vigilant® LED High Bay - CE

Automatic daylight dimming and occupancy sensor



Patent pending



Dimensions in mm

Features & Benefits

- No additional electrical connections required
- Once installed, the lights can be programmed and set up from the ground using the remote control (sold separately, for full list of part codes, see "Ordering Information")
- Allows user to maximise their energy savings by having the lights on only when needed
- Senses heat movement across the sensing zones - consult factory for more details
- Consult factory for recommended installation guidelines and applications
- The sensor is covered by a 5-year manufacturers warranty

Mechanical Information:

Fixture weight:	8.4 kg (18.5 lbs)
Shipping weight:	13.8 kg (29lbs)
Mounting:	Stirrup bracket (supplied)
Cabling:	None (junction box)

Occupancy Sensor:

Sensor mounting:	Fitted to unit
Sensor timing / Non dimming model:	1, 5, 10, 15 and 30 minutes
Dimming model:	On, Off, 1, 10, 30 and 60 minutes
Sensor operation:	Dependant on application and height, please consult technical department
Operating voltage:	230 / 240V AC
Operating temperature:	-25°C + 50°C (-13°F + 122°F)
IP rating:	IP54 to EN60529

Electrical Specifications for High Bay:

Total system power consumption:	See table
Harmonics:	IEC 61000-3-2
Noise requirement /EMC:	EN 61000-3-2: 2006 EN 61547: 2009
Transient protection:	6kV/2 ohm, 1,2/50us, 8/20us combination wave, as per IEEE C62.41, line-line and line-ground
THD:	<20%
Power factor:	>0.9

Construction:

Housing:	Copper free aluminium
Finish:	Superior dual coat finish - Sealed polyester topcoat - Chemical-resistant epoxy primer

Lens:	Acrylic (PMMA) Polycarbonate (PC) Tempered glass
--------------	--

Photometric Information:

CRI:	75
CCT:	5000K (cool white) 4000K (neutral white)

All values typical unless otherwise stated (tolerance +/- 10%)

For information on chemical compatibility, please follow this link to reference Dialight's Chemical Compatibility Guide: www.dialight.com/pubs/MDTFCHEMRFLX001.PDF

Vigilant® LED High Bay - CE

Options and Accessories Drawings



- HBXW3**
- Aluminium swivel bracket



- HBXW3-SSL-316M**
- 316 Stainless steel bracket
- HBXW3-SSL-304M**
- 304 Stainless steel bracket



- HBXW3-SSL-304FT**
- 304 stainless steel forward throw bracket
- HBXW3-SSL-316FT**
- 316 Stainless steel forward throw bracket



- HBXGS**
- Glare shield (internal use only, for use with flat lens)

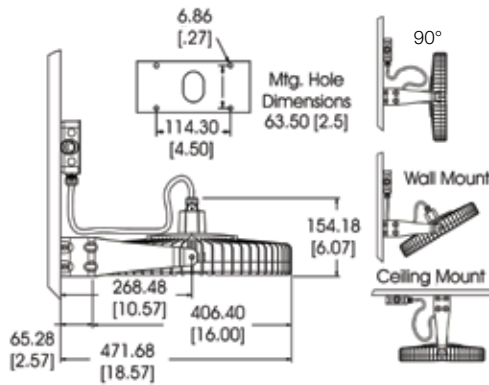


- HBXSBDK**
- Sand blast kit (dome lens)
- HBXSBDL**
- Sacrificial dome lens

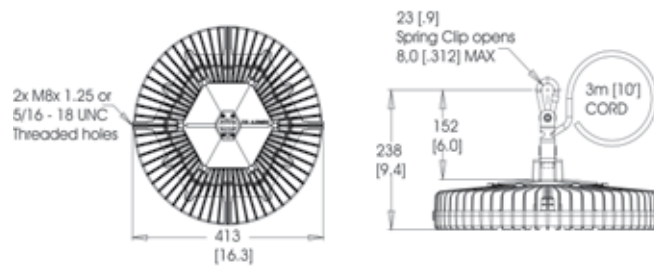


- HBXSBK**
- Sand blast kit (flat lens)
- HBXSBL**
- Sacrificial flat lens

HBXW3 - Swivel Bracket Dimensions



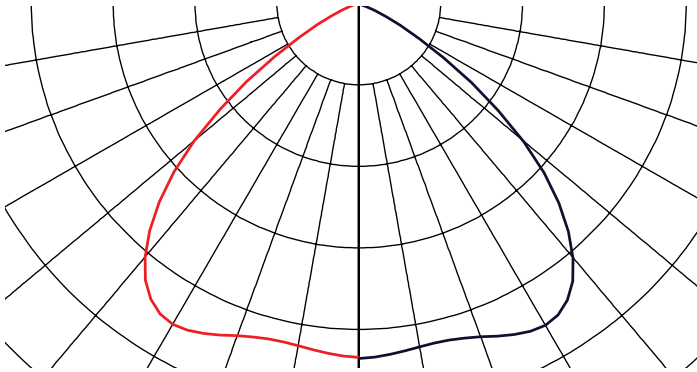
Standard Hook Dimensions



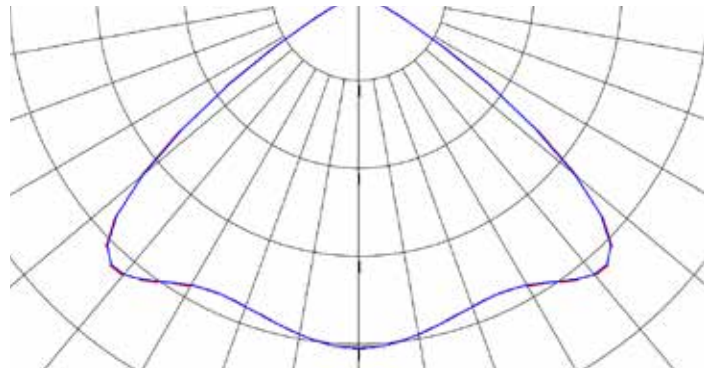
Vigilant® LED High Bay - CE

Light Distribution Patterns

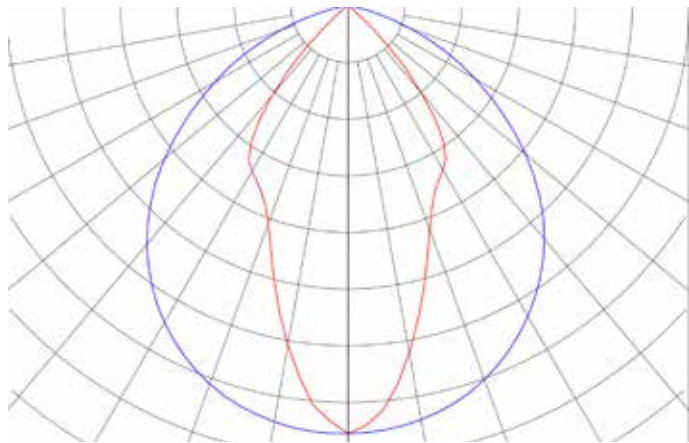
Medium Pattern



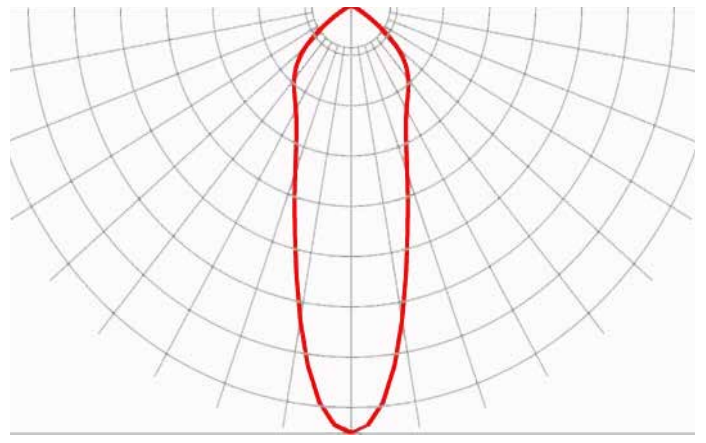
Wide Pattern



Oval Pattern



Narrow Pattern



Vigilant® LED High Bay - CE

Standard Model Ordering Information

Part Number	Initial Fixture Lumens	Wattage	Lm/W	IP Rating	Voltage	Colour Temperature (CCT)	Lens	Light Distribution
Standard Models								
HEEGMC4PN-HNG	26,500	212	125	IP66	110 - 277V AC	5000K (cool white)	Tempered glass	Medium
HEEGRC4PN-HNG	26,500	212	125	IP66	110 - 277V AC	5000K (cool white)	Tempered glass	Wide
HEEGNC4PN-HNG	26,500	212	125	IP66	110 - 277V AC	5000K (cool white)	Tempered glass	Narrow
HEEGEC4PN-HNG	25,750	204	125	IP66	110 - 277V AC	5000K (cool white)	Tempered glass	Oval
HEEGMC4KN-HNG	18,000	144	125	IP66	100 - 277V AC	5000K (cool white)	Tempered glass	Medium
HEEGRC4KN-HNG	18,000	144	125	IP66	100 - 277V AC	5000K (cool white)	Tempered glass	Wide
HEEGNC4KN-HNG	18,000	144	125	IP66	100 - 277V AC	5000K (cool white)	Tempered glass	Narrow
HEEGEC4KN-HNG	18,000	144	125	IP66	100 - 277V AC	5000K (cool white)	Tempered glass	Oval
HEEGMC4GN-HNG	14,000	112	125	IP66	100 - 277V AC	5000K (cool white)	Tempered glass	Medium
HEEGRC4GN-HNG	14,000	112	125	IP66	100 - 277V AC	5000K (cool white)	Tempered glass	Wide
HEEGNC4GN-HNG	14,000	112	125	IP66	100 - 277V AC	5000K (cool white)	Tempered glass	Narrow
HEEGEC4GN-HNG	14,000	112	125	IP66	100 - 277V AC	5000K (cool white)	Tempered glass	Oval
HEEGMC4DN-HNG	11,000	88	125	IP66	100 - 277V AC	5000K (cool white)	Tempered glass	Medium
HEEGRC4DN-HNG	11,000	88	125	IP66	100 - 277V AC	5000K (cool white)	Tempered glass	Wide
HEEGNC4DN-HNG	11,000	88	125	IP66	100 - 277V AC	5000K (cool white)	Tempered glass	Narrow
HEEGEC4DN-HNG	11,000	88	125	IP66	100 - 277V AC	5000K (cool white)	Tempered glass	Oval

All values typical unless otherwise stated; Lumen values are typical (tolerance +/- 10%).

All models shown in the table are cool white, for models in neutral white, 4000K CCT, replace the 6th character with an N. Ex: HEEGMC4PN-HNG becomes HEEGMN4PN-HNG. Deduct 5% from lumen values when specifying neutral.

For models needing a safety bracket, replace the 11th character with a S. Example HEEGMC4PN-HNG becomes HEEGMC4PN-HSG.

All models shown in the above table come with an internal fuse. For models needing an external fuse, replace the 11th character with an E. Ex: HEEGMC4PN-HNG becomes HEEGMC4PN-HEG. (Fixture will be listed damp location only with internal fuse).

For models needing both safety bracket & fuse, replace the 11th character with an G. Ex: HEEGMC4PN-HNG becomes HEEGMC4PN-HGG.

Part numbers listed in the tables above come with a glass lens. For models needing a polycarbonate dome lens, replace the 4th character with a L. Ex: HEEGMC4PN-HNG becomes HEELMC4PN-HNG. For models needing a flat acrylic lens, replace the 4th character with a 1. Ex: HEEGMC4PN-HNG becomes HEE1MC4PN-HNG. For models needing a flat polycarbonate lens, replace the 4th character with a 2.

Vigilant® LED High Bay - CE

Integrated Wiring Box / Dimming / Occupancy Sensor Ordering Information

Part Number	Initial Fixture Lumens	Wattage	Lm/W	IP Rating	Voltage	Colour Temperature (CCT)	Lens	Light Distribution
Hook Integrated Wiring Box Models								
HJEGMC4PN-HNNG	26,500	212	125	IP66	110 - 277V AC	5000K (cool white)	Tempered glass	Medium
HJEGRC4PN-HNNG	26,500	212	125	IP66	110 - 277V AC	5000K (cool white)	Tempered glass	Wide
HJEGNC4PN-HNNG	26,500	212	125	IP66	110 - 277V AC	5000K (cool white)	Tempered glass	Narrow
HJEGEC4PN-HNNG	25,750	204	125	IP66	110 - 277V AC	5000K (cool white)	Tempered glass	Oval
HJEGMC4KN-HNNG	18,000	144	125	IP66	100 - 277V AC	5000K (cool white)	Tempered glass	Medium
HJEGRC4KN-HNNG	18,000	144	125	IP66	100 - 277V AC	5000K (cool white)	Tempered glass	Wide
HJEGNC4KN-HNNG	18,000	144	125	IP66	100 - 277V AC	5000K (cool white)	Tempered glass	Narrow
HJEGEC4KN-HNNG	18,000	144	125	IP66	100 - 277V AC	5000K (cool white)	Tempered glass	Oval
HJEGMC4GN-HNNG	14,000	112	125	IP66	100 - 277V AC	5000K (cool white)	Tempered glass	Medium
HJEGRC4GN-HNNG	14,000	112	125	IP66	100 - 277V AC	5000K (cool white)	Tempered glass	Wide
HJEGNC4GN-HNNG	14,000	112	125	IP66	100 - 277V AC	5000K (cool white)	Tempered glass	Narrow
HJEGEC4GN-HNNG	14,000	112	125	IP66	100 - 277V AC	5000K (cool white)	Tempered glass	Oval
HJEGMC4DN-HNNG	11,000	88	125	IP66	100 - 277V AC	5000K (cool white)	Tempered glass	Medium
HJEGRC4DN-HNNG	11,000	88	125	IP66	100 - 277V AC	5000K (cool white)	Tempered glass	Wide
HJEGNC4DN-HNNG	11,000	88	125	IP66	100 - 277V AC	5000K (cool white)	Tempered glass	Narrow
HJEGEC4DN-HNNG	11,000	88	125	IP66	100 - 277V AC	5000K (cool white)	Tempered glass	Oval
Variable Dimming Models								
HEEGMC4PD-HNG	26,500	212	125	IP66	110 - 277V AC	5000K (cool white)	Tempered glass	Medium
HEEGRC4PD-HNG	26,500	212	125	IP66	110 - 277V AC	5000K (cool white)	Tempered glass	Wide
HEEGMC4KD-HNG	18,000	144	125	IP66	100 - 277V AC	5000K (cool white)	Tempered glass	Medium
HEEGRC4KD-HNG	18,000	144	125	IP66	100 - 277V AC	5000K (cool white)	Tempered glass	Wide
HEEGMC4GD-HNG	14,000	112	125	IP66	100 - 277V AC	5000K (cool white)	Tempered glass	Medium
HEEGRC4GD-HNG	14,000	112	125	IP66	100 - 277V AC	5000K (cool white)	Tempered glass	Wide
HEEGMC4DD-HNG	11,000	88	125	IP66	100 - 277V AC	5000K (cool white)	Tempered glass	Medium
HEEGRC4DD-HNG	11,000	88	125	IP66	100 - 277V AC	5000K (cool white)	Tempered glass	Wide
Occupancy Sensor Models								
HEEGMC4PK-JNG	26500	212	125	IP54	110 - 277V AC	5000K (cool white)	Tempered glass	Medium
HEEGRC4PK-JNG	26500	212	125	IP54	110 - 277V AC	5000K (cool white)	Tempered glass	Wide
HEEGNC4PK-JNG	26500	212	125	IP54	110 - 277V AC	5000K (cool white)	Tempered glass	Narrow
HEEGMC4KK-JNG	18,000	144	125	IP54	100 - 277V AC	5000K (cool white)	Tempered glass	Medium
HEEGRC4KK-JNG	18,000	144	125	IP54	100 - 277V AC	5000K (cool white)	Tempered glass	Wide
HEEGNC4KK-JNG	18,000	144	125	IP54	100 - 277V AC	5000K (cool white)	Tempered glass	Narrow
HEEGMC4GK-JNG	14,000	112	125	IP54	100 - 277V AC	5000K (cool white)	Tempered glass	Medium
HEEGRC4GK-JNG	14,000	112	125	IP54	100 - 277V AC	5000K (cool white)	Tempered glass	Wide
HEEGNC4GK-JNG	14,000	112	125	IP54	100 - 277V AC	5000K (cool white)	Tempered glass	Narrow
HEEGMC4DK-JNG	11,000	88	125	IP54	100 - 277V AC	5000K (cool white)	Tempered glass	Medium
HEEGRC4DK-JNG	11,000	88	125	IP54	100 - 277V AC	5000K (cool white)	Tempered glass	Wide
HEEGNC4DK-JNG	11,000	88	125	IP54	100 - 277V AC	5000K (cool white)	Tempered glass	Narrow

All values typical unless otherwise stated, Lumen values are typical (tolerance +/- 10%).

All models shown in the table are cool white, for models in neutral white, 4000K CCT, replace the 6th character with an N. Ex: HEEGMC4PN-HNG becomes HEEGMN4PN-HNG. Deduct 5% from lumen values when specifying neutral.

For models needing a safety bracket, replace the 11th character with a S. Example HEEGMC4PN-HNG becomes HEEGMC4PN-HSG.

All models show in the above table come with an internal fuse. For models needing an external fuse, replace the 11th character with an E. Ex: HEEGMC4PN-HNG becomes HEEGMC4PN-HEG. (Fixture will be listed damp location only with internal fuse).

For models needing both safety bracket & fuse, replace the 11th character with an G. Ex: HEEGMC4PN-HNG becomes HEEGMC4PN-HGG.

Part numbers listed in the tables above come with a glass lens. For models needing a polycarbonate dome lens, replace the 4th character with a L. Ex: HEEGMC4PN-HNG becomes HEELMC4PN-HNG. For models needing a flat acrylic lens, replace the 4th character with a 1. Ex: HEEGMC4PN-HNG becomes HEE1MC4PN-HNG. For models needing a flat polycarbonate lens, replace the 4th character with a 2.

