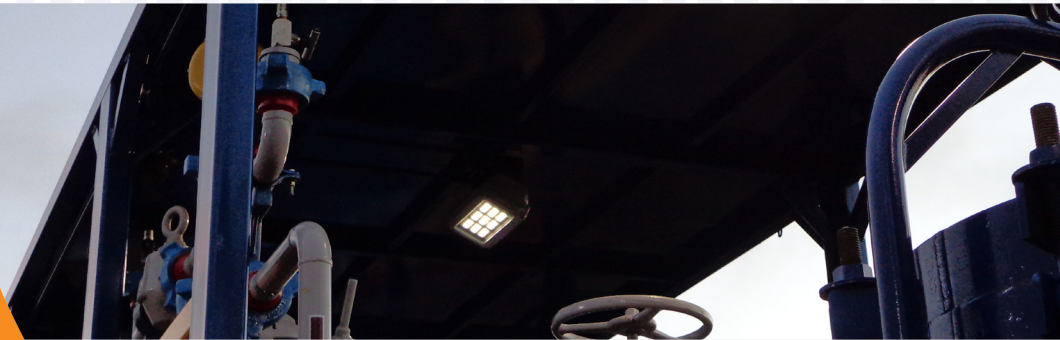




On when  
it counts.



Patent Pending

## Certifications & Ratings

- ATEX Zones 1 & 21 and 2 & 22  
Certificate numbers: IECEx BAS 10.0051X  
Baseefa 10ATEX0092X
- CE Compliant to EN 55015-2006 & EN 61547
- ABS Assessed: # 11-LD678508-1-PDA
- Impact Rating to EN 50102: IK09
- IP66 rated
- RoHS compliant

## Features & Benefits

- L70 rated for >100,000 hours @ 25°C ambient
- 5 year full performance warranty
- Emergency battery backup version available
- Emergency exit kit and other sign options available
- Sandblasting cover protector available
- Class I Div, 2 versions available
- Instant on/off operation
- Mercury free, lead free
- Resistant to shock and vibration
- Red and Green LED colour available upon request

### Mechanical Information:

**Fixture weight:** 11W & 22W - 5.75kg (10.50 lbs)  
34W - 5.9kg (10.80 lbs)

**Cabling:** Factory Installed 10 metre cable

### Electrical Specifications:

**Operating Voltage:** 11W & 22W - 100-277VAC, 50/60 Hz  
or 24-48V DC  
34W - 100-277VAC, 50/60 Hz

**Total system power consumption:** See table

**Operating Temp:** See temperature rating table

**Harmonics:** IEC 61000-3-2

**Noise Requirements / EMC:** FCC Title 47, Subpart B, Section 15, class B device. RF Immunity; 10V/m, 80MHz-1GHz

**Transient protection:** 1kV line to line, 2 kV line to ground

**THD:** <20%

**Power Factor:** > 0.9

### Construction:

**Housing:** Copper free aluminum

**Finish:** Yellow epoxy powder coated (RAL 1018)

**Mounting Bracket:** 316 stainless steel

**Lens:** High impact resistant clear glass  
High impact resistant frosted glass

### Photometric Information:

**CRI:** 70

**CCT:** 4300K (neutral white)  
5650K (cool white)

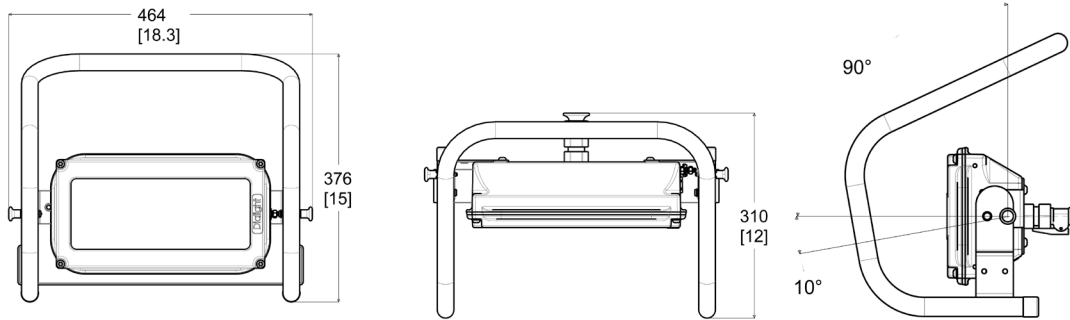
**IES Files:** see [www.dialight.com](http://www.dialight.com)

All values typical unless otherwise stated (tolerance +/- 10%)

### Temperature Ratings

	Ambient Temperature Range T5 Temperature Code	Ambient Temperature Range T6 Temperature Code
13W	-40°C to +60°C (-40°F to +140°F)	-40°C to +50°C (-40°F to +122°F)
24W	-40°C to +60°C (-40°F to +140°F)	-40°C to +50°C (-40°F to +122°F)
36W	-40°C to +50°C (-40°F to +122°F)	-40°C to +40°C (-40°F to +104°F)

## Bulkhead Dimensions



Dimensions are in mm [inches]

Part Number	Initial Fixture Lumens	Wattage	Lm/W	IP Rating	Voltage	Colour Temperature (CCT)	Lens	Light Distribution
TWA-2C3L-SYWC	2,250	34	66	IP66/67	100-277V AC	5650K (cool white)	Clear Glass	Narrow
TWA-2N3L-SYWC	2,250	34	66	IP66/67	100-277V AC	4300K (neutral white)	Clear Glass	Narrow
TWA-4C3L-SYWC	2,250	34	66	IP66/67	100-277V AC	5650K (cool white)	Clear Glass	Oval (35° X 55°)
TWA-4N3L-SYWC	2,250	34	66	IP66/67	100-277V AC	4300K (neutral white)	Clear Glass	Oval (35° X 55°)
<b>24-48V DC</b>								
TWA-2C2H-SYWC	1,200	22	55	IP66/67	24-48V DC	5650K (cool white)	Clear Glass	Narrow
TWA-2N2H-SYWC	1,200	22	55	IP66/67	24-48V DC	4300K (neutral white)	Clear Glass	Narrow
TWA-4C2H-SYWC	1,200	22	55	IP66/67	24-48V DC	5650K (cool white)	Clear Glass	Oval (35° X 55°)
TWA-4N2H-SYWC	1,200	22	55	IP66/67	24-48V DC	4300K (neutral white)	Clear Glass	Oval (35° X 55°)

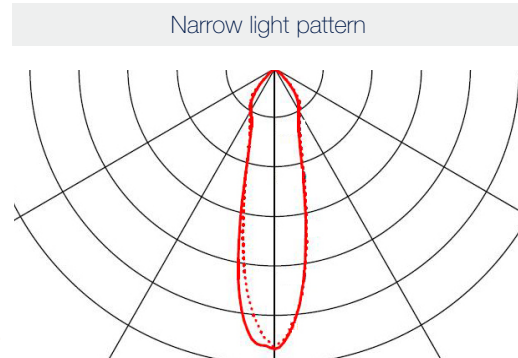
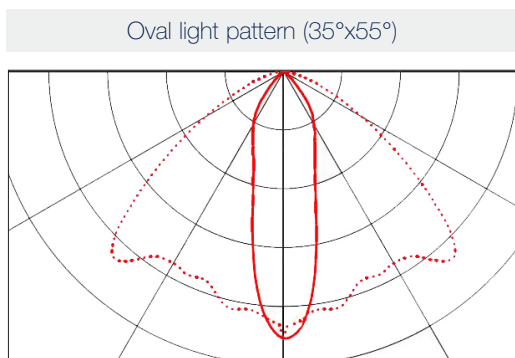
All values typical unless otherwise stated, Lumen values are typical (tolerance +/- 10%).

For frosted glass models replace the 12th character with an E TWA-2C3L-SYWC becomes TWA-2C3L-SYWE (Frosted lens option will reduce lumen output by 6%)



### WP-CM-SB

- Sand blast shield



Dialight reserves the right to make changes at any time in order to supply the best product possible. The most current version of this document will always be available at: [www.dialight.com/Assets/Brochures\\_And\\_Catalogs/Illumination/MDEXSSWPTEUHZC001.pdf](http://www.dialight.com/Assets/Brochures_And_Catalogs/Illumination/MDEXSSWPTEUHZC001.pdf)

Warranty Statement: EXCEPT FOR THE WARRANTY EXPRESSLY PROVIDED FOR [HEREIN/ABOVE/BELOW], DIALIGHT DISCLAIMS ANY AND ALL OTHER WARRANTIES, EXPRESS OR IMPLIED, INCLUDING, WITHOUT LIMITATION, ANY WARRANTIES OF MERCHANTABILITY, FITNESS FOR A PARTICULAR PURPOSE, TITLE, AND NON-INFRINGEMENT.