

5A SUPER FAST RECOVERY RECTIFIER 50V-600V

Dim.	Value Inch[mm]	
	Min.	Max.
A	0.118 [3.0]	0.134 [3.4]
B	0.381 [9.7]	0.406 [10.3]
C	0.248 [6.3]	0.272 [6.9]
D	0.583 [14.8]	0.606 [15.4]
E	0.512 [13.0]	0.548 [13.9]
F	---	0.161 [4.1]
G	0.195 [4.95]	0.204 [5.18]
H	0.011 [0.3]	0.035 [0.9]
J	0.165 [4.2]	0.189 [4.8]
K	0.099 [2.5]	0.130 [3.3]
L	---	0.032 [0.8]

PRODUCT FEATURES

1. FLAMMABILITY CLASSIFICATION: 94V-0
2. GLASS PASSIVATED CHIP JUNCTION
3. LOW FORWARD VOLTAGE DROP
4. HIGH SURGE CURRENT CAPABILITY
5. LOW LOSSES
6. CASE: TRANSFER MOLDED, ITO-220AC
7. POLARITY: AS MARKED
8. WEIGHT: 1.7 GRAMS
9. LEADS: SOLDERABILITY PER MIL-STD-202 METHOD 208
10. RoHS, SUFFIX "-H" INDICATES HALOGEN FREE PARTS

MAXIMUM RATINGS AND ELECTRICAL CHARACTERISTICS RATINGS AT 25°C AMBIENT TEMPERATURE UNLESS OTHERWISE SPECIFIED STORAGE AND OPERATING TEMPERATURE RANGE -55°C TO +150°C. SINGLE PHASE, HALF WAVE, 60 HZ, RESISTIVE OR INDUCTIVE LOAD. FOR CAPACITIVE LOAD, DERATE CURRENT BY 20%.

RATINGS	SYMBOL	VALUE	UNITS
MAXIMUM AVERAGE FORWARD RECTIFIED CURRENT	I_o	5	A
PEAK FWD SURGE CURRENT, 8.3ms HALF SINE-WAVE SUPERIMPOSED ON RATED LOAD	I_{FSM}	100	A
TYPICAL THERMAL RESISTANCE (NOTE 1)	$R_{\theta jc}$	3	°C/W
MAXIMUM REVERSE CURRENT @ 25°C	I_R	5	uA
MAXIMUM REVERSE CURRENT @ 125°C	I_R	200	uA
MAXIMUM REVERSE RECOVERY TIME	T_{RR}	35	nS

1. THERMAL RESISTANCE JUNCTION TO CASE PER LEG MOUNTED ON HEAT SINK
2. REVERSE RECOVERY TEST CONDITIONS: $I_F=0.5A$, $I_R=1.0A$, $I_{RR}=0.25A$
3. MAXIMUM FORWARD VOLTAGE @ I_o DC

PART NUMBER	MAX RECURRENT PK REV VOLTAGE V_{RRM} (V)	MAX RMS VOLTAGE V_{RMS} (V)	MAX DC BLOCKING VOLTAGE V_{DC} (V)	MAX FWD VOLTAGE V_F (V)	MARKING
SF5A05F	50	35	50	0.95	SF5A05F
SF5A10F	100	70	100	0.95	SF5A10F
SF5A20F	200	140	200	0.95	SF5A20F
SF5A40F	400	280	400	1.3	SF5A40F
SF5A60F	600	420	600	1.85	SF5A60F

RATING AND CHARACTERISTIC CURVES

FIG.1-TYPICAL FORWARD CURRENT DERATING CURVE

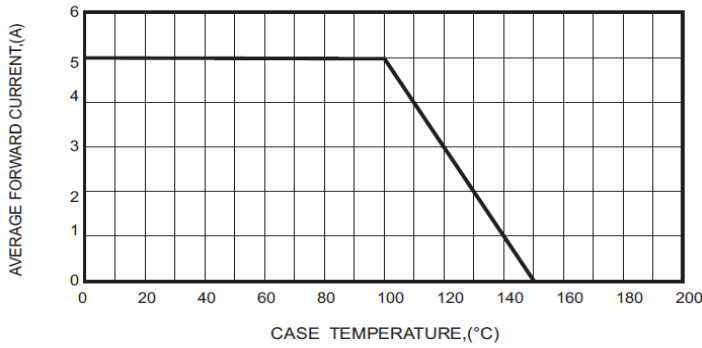


FIG.2-TYPICAL FORWARD CHARACTERISTICS

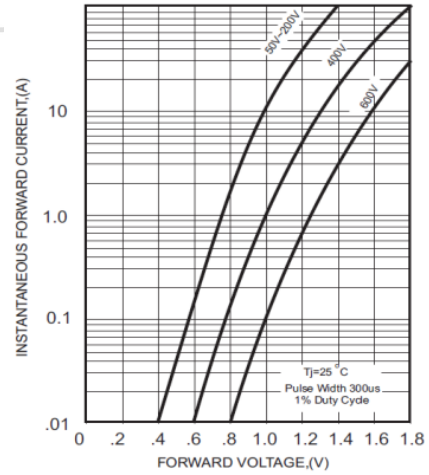


FIG.3-MAXIMUM NON-REPETITIVE FORWARD SURGE CURRENT

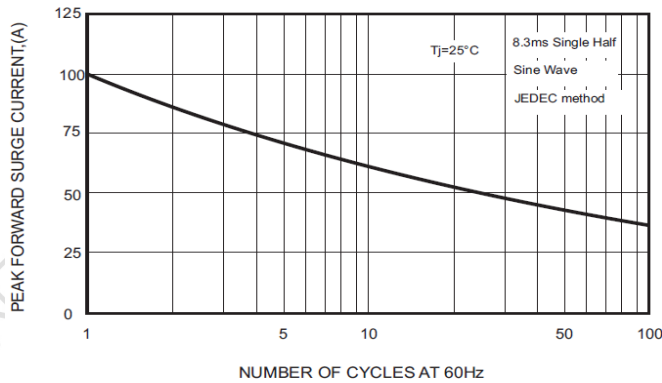


FIG.4 - TYPICAL REVERSE CHARACTERISTICS

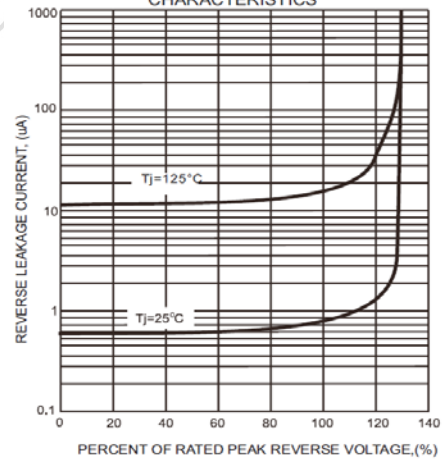
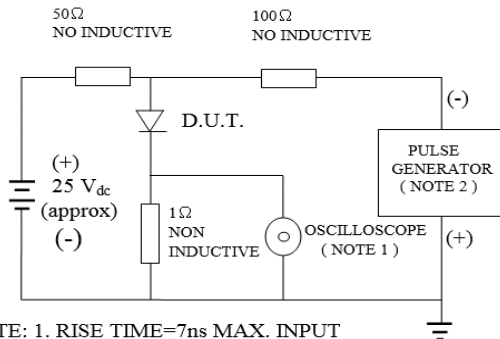


FIG. 1-TEST CIRCUIT DIAGRAM AND REVERSE RECOVERY TIME CHARACTERISTIC



NOTE: 1. RISE TIME=7ns MAX. INPUT IMPEDANCE=1 MOhms 22PF
 2. RISE TIME =10ns MAX. SOURCE IMPEDANCE=50 OHMS

