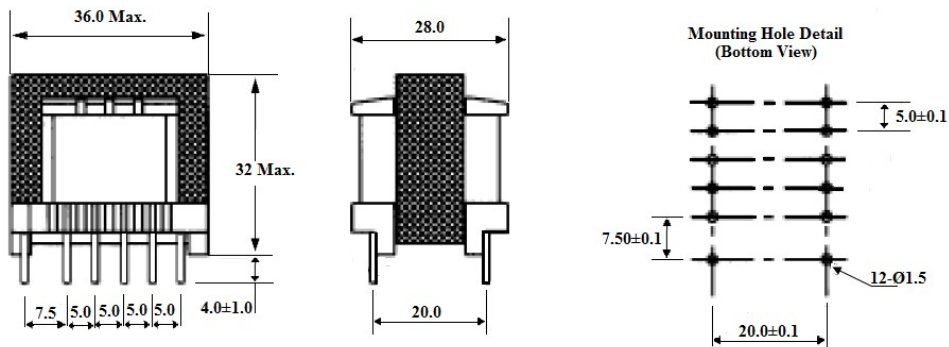


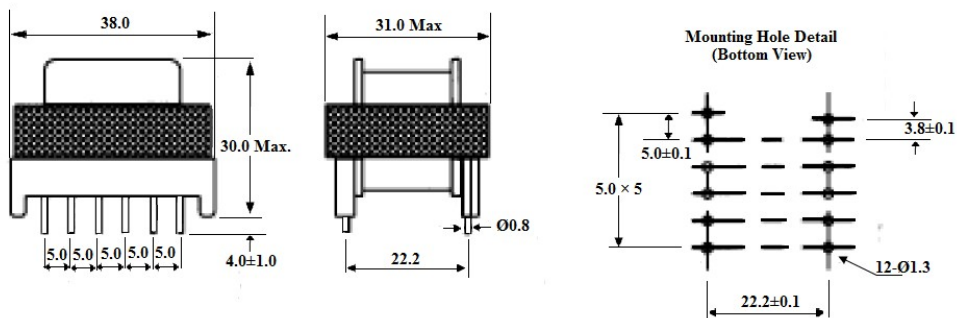
## SMV3501 SERIES

<b>CORE SIZE</b>	<b>EI 35×12</b>
$A_c$ (mm <sup>2</sup> )	120.0
$L_c$ (mm)	67.3
$V_c$ (mm <sup>3</sup> )	8090
$A_w$ (mm <sup>2</sup> )	85.7
<b>Power (w)</b>	<b>97/25 kHz</b>



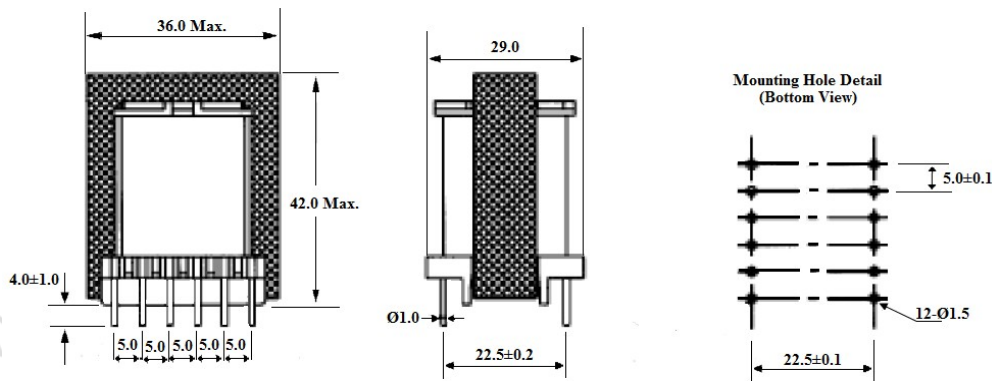
## SMH3502 SERIES

<b>CORE SIZE</b>	<b>EE 35×10</b>
$A_c$ (mm <sup>2</sup> )	100.0
$L_c$ (mm)	67.3
$V_c$ (mm <sup>3</sup> )	6700
$A_w$ (mm <sup>2</sup> )	82.0
<b>Power (w)</b>	<b>95/25 kHz</b>



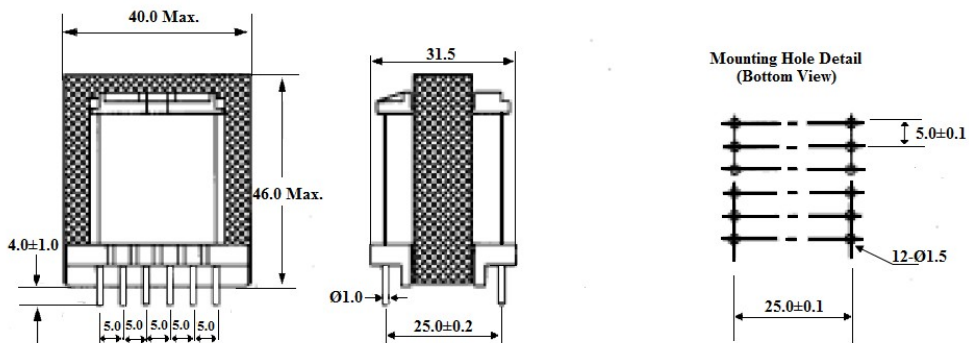
## SRV3503 SERIES

<b>CORE SIZE</b>	<b>EER 35</b>
$A_c$ (mm <sup>2</sup> )	107.0
$L_c$ (mm)	90.8
$V_c$ (mm <sup>3</sup> )	9682
$A_w$ (mm <sup>2</sup> )	152.7
<b>Power (w)</b>	<b>175/25 kHz</b>



## SRV3901 SERIES

<b>CORE SIZE</b>	<b>EER 39</b>
$A_c$ (mm <sup>2</sup> )	130.0
$L_c$ (mm)	103.0
$V_c$ (mm <sup>3</sup> )	13380
$A_w$ (mm <sup>2</sup> )	201.0
<b>Power (w)</b>	<b>195/25 kHz</b>



## SMV4001 SERIES

**CORE SIZE** EI 40×35×12

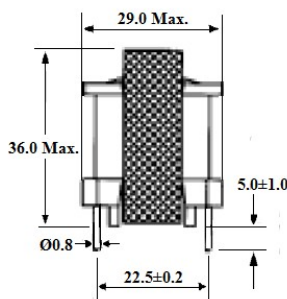
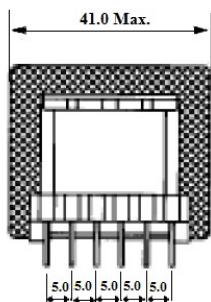
**A<sub>e</sub> (mm<sup>2</sup>)** 148.0

**L<sub>e</sub> (mm)** 77.0

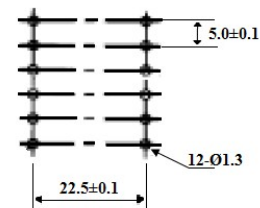
**V<sub>e</sub> (mm<sup>3</sup>)** 11300

**A<sub>w</sub> (mm<sup>2</sup>)** 120.2

**Power (w)** 130/25 kHz



Mounting Hole Detail  
(Bottom View)



## SMV4201 SERIES

**CORE SIZE** EE 42×15

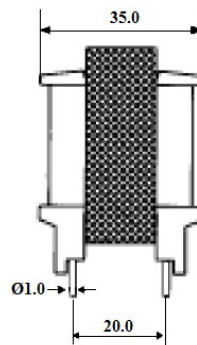
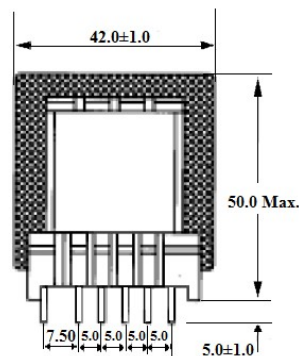
**A<sub>e</sub> (mm<sup>2</sup>)** 182.0

**L<sub>e</sub> (mm)** 97.0

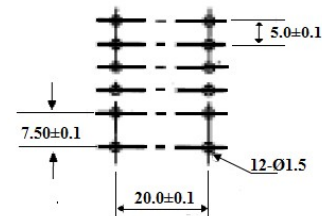
**V<sub>e</sub> (mm<sup>3</sup>)** 17600

**A<sub>w</sub> (mm<sup>2</sup>)** 197.4

**Power (w)** 215/25 kHz



Mounting Hole Detail  
(Bottom View)



## SMH4202 SERIES

**CORE SIZE** EI 42×20

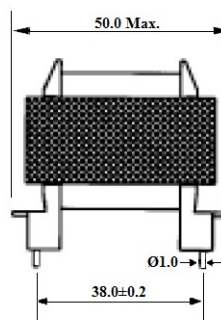
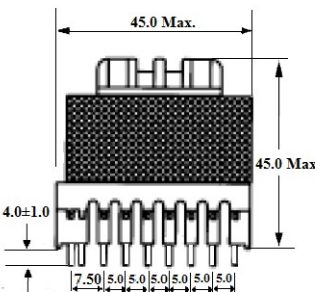
**A<sub>e</sub> (mm<sup>2</sup>)** 235.0

**L<sub>e</sub> (mm)** 97.4

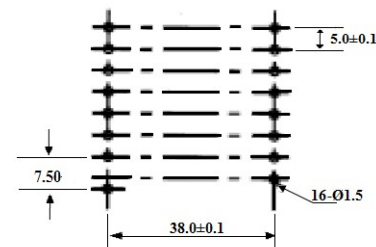
**V<sub>e</sub> (mm<sup>3</sup>)** 22900

**A<sub>w</sub> (mm<sup>2</sup>)** 197.4

**Power (w)** 265/25 kHz



Mounting Hole Detail  
(Bottom View)



## SMH4203 SERIES

**CORE SIZE** EI 42×15

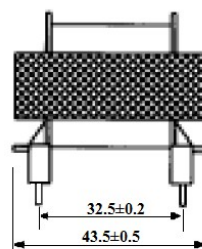
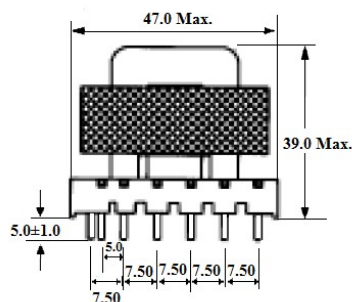
**A<sub>e</sub> (mm<sup>2</sup>)** 182.0

**L<sub>e</sub> (mm)** 97.0

**V<sub>e</sub> (mm<sup>3</sup>)** 17600

**A<sub>w</sub> (mm<sup>2</sup>)** 197.4

**Power (w)** 215/25 kHz



Mounting Hole Detail  
(Bottom View)

