

## A. Features:

1. Low Profile to achieve Low Core Loss and High Efficiency.
2. RoHS Compliant and Halogen Free.
3. Constructed with UL Approved Class B Insulation.

## B. Application:

1. AV equipment, digital consumer electronics, and many other applications.

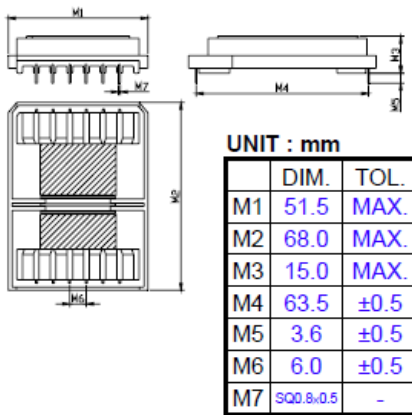


## C. Electrical Specifications:

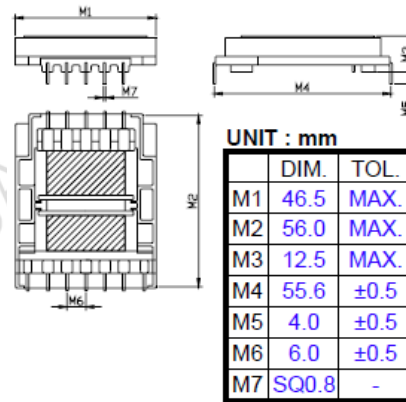
Model No	Input Voltage (VDC)	Frequency (KHz) Min.	Maximum Output Power (W)	A <sub>e</sub> mm <sup>2</sup>	Mount Method	Height (mm) Max.	Number of Pins	
							Primary(Pin)	Secondary(Pin)
THD4344HXXXXXS	390	120	200	83.2	THROUGH HOLE	15.0	6	6
THD4549HXXXXXS	390	120	180	73	THROUGH HOLE	12.5	5	7
TDD4549HXXXXXS	390	120	180	73	DROP-IN	11.0	5	7
TDD3528HXXXXXS	390	120	70	63.2	DROP-IN	12.5	6	6

## D. Drawings:

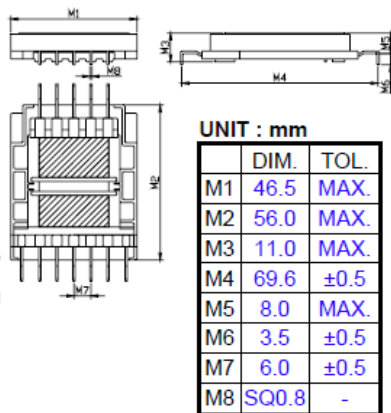
THD4344HXXXXXS



THD4549HXXXXXS



TDD4549HXXXXXS



TDD3528HXXXXXS

