

Test Point Summary:

- P1 ● SD_CLK
- P2 ● SD_CMD
- P3 ● SD_DETn
- P4 ● SPIM_SCK
- P5 ● SPIM_MOSI
- P6 ● SPIM_MISO
- P7 ● SPIM_IO2
- P8 ● SPIM_IO3
- P9 ● SPIM_SSn0
- P10 ● SPIM_SSn1
- P11 ● SPIM_SSn2
- P12 ● SPIM_SSn3
- P13 ● LCD_RS
- P14 ● SPIS_SCK
- P15 ● SPIS_SSn
- P16 ● SPIS_MOSI
- P17 ● SPIS_MISO
- P18 ● I2C0_SCL
- P19 ● I2C0_SDA
- P20 ● I2C1_SCL
- P21 ● I2C1_SDA
- P22 ● RESET#
- P23 ● DEBUG
- P24 ● UART0_TXD
- P25 ● UART0_RXD
- P26 ● PWM0
- P27 ● PWM1
- P28 ● PWM2
- P29 ● GPIO60
- P30 ● GPIO61
- P31 ● FT900_IRQ
- P32 ● STATUS0
- P33 ● STATUS1
- P34 ● DISP_FT900
- P35 ● FT800_PD#
- P36 ● FT800_INT#
- P37 ● AUD_SHDN#
- P38 ● VBUS_DTC
- P39 ● D_N
- P40 ● D_P
- P41 ● CAM_XCLK
- P42 ● CAM_PCLK
- P43 ● CAM_VD
- P44 ● CAM_HD
- P45 ● BCKL
- P46 ● DE
- P47 ● VSYNC
- P48 ● HSYNC
- P49 ● DISP_FT800
- P50 ● DCLK
- P51 ● LCD_RST
- P52 ● FT800_AUDL
- P53 ● EXT_AUD
- P54 ● SP+
- P55 ● SP-
- P56 ● RESET
- P57 ● SCK
- P58 ● SS
- P59 ● MOSI
- P60 ● MISO
- P61 ● IRQ
- P62 ● VDD_5V
- P63 ● VDD_3V3
- P64 ● VDD_SEL
- P65 ● LCD_3V3
- P66 ● SPK_PWR
- P67 ● CAM_5V
- P68 ● CAM_3V3
- P69 ● GND
- P70 ● GND
- P71 ● VBUS

FT800Q Connection
 HW_451_ME800EV-Arduino_FT810Q_Connection.SchDoc



PCB



HW_451_Rev1.1_Bare_PCB

FT901Q Connection
 HW_451_ME800EV-Arduino_FT903Q_Connection.SchDoc



LOGO1



CleO_35

Power and Connectors
 HW_451_ME800EV-Arduino_Power_and_Connectors.SchDoc



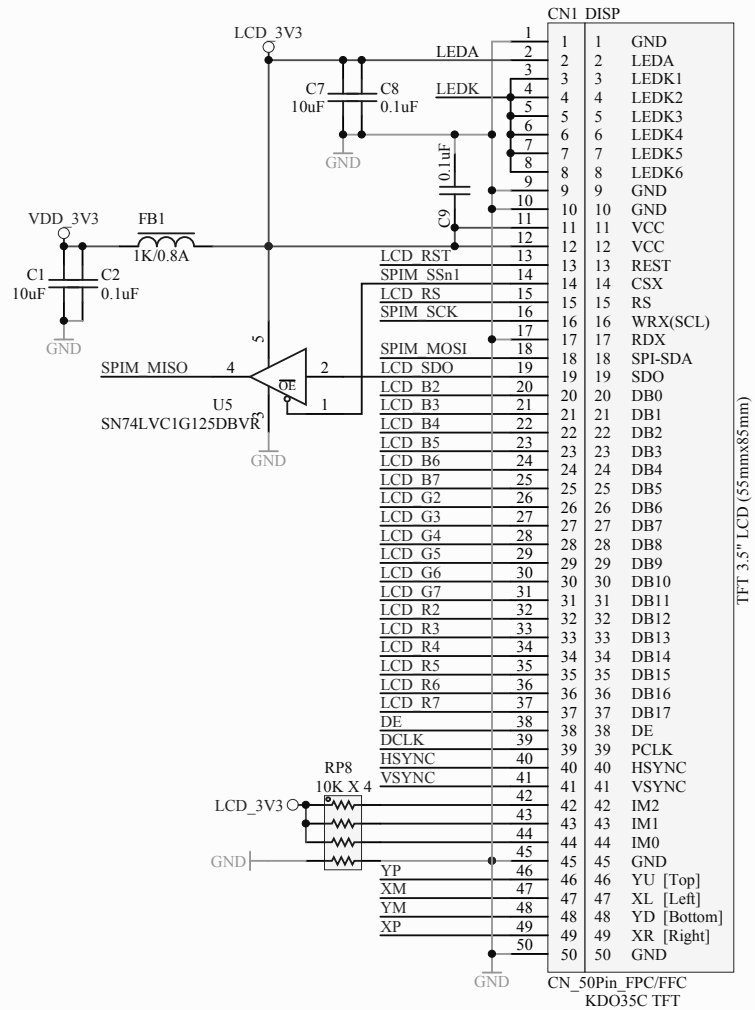
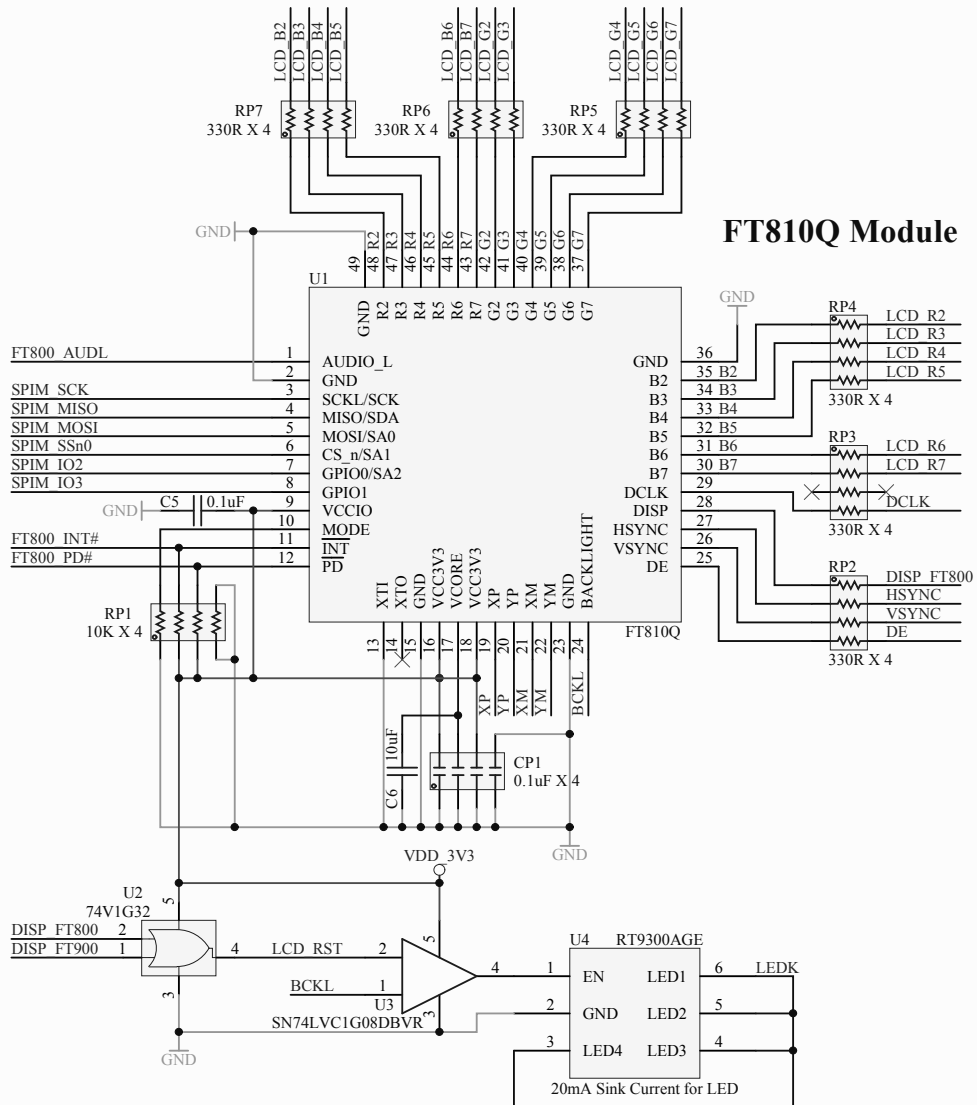
LOGO2



CE/FCC/RoHS Label

Title HW_451_ME800EV-Arduino		Future Technology Devices International Ltd.	
Revision History		178 Paya Lebar Road #07-04/05 Singapore 409030	
Size: A4	Number: HW_451	Revision: 1.1	
Date: 11/3/2016	Time: 3:03:18 PM	Sheet 1 of 4	
File: HW_451_ME800EV-Arduino_Rev_His.SchDoc		http://www.ftdichip.com	





Title **HW_451_ME800EV-Arduino
FT810Q Connection**

Size: A4 Number: HW_451 Revision: 1.1

Date: 11/3/2016 Time: 3:03:18 PM Sheet 2 of 4

File: HW_451_ME800EV-Arduino_FT810Q_Connection.SchDoc

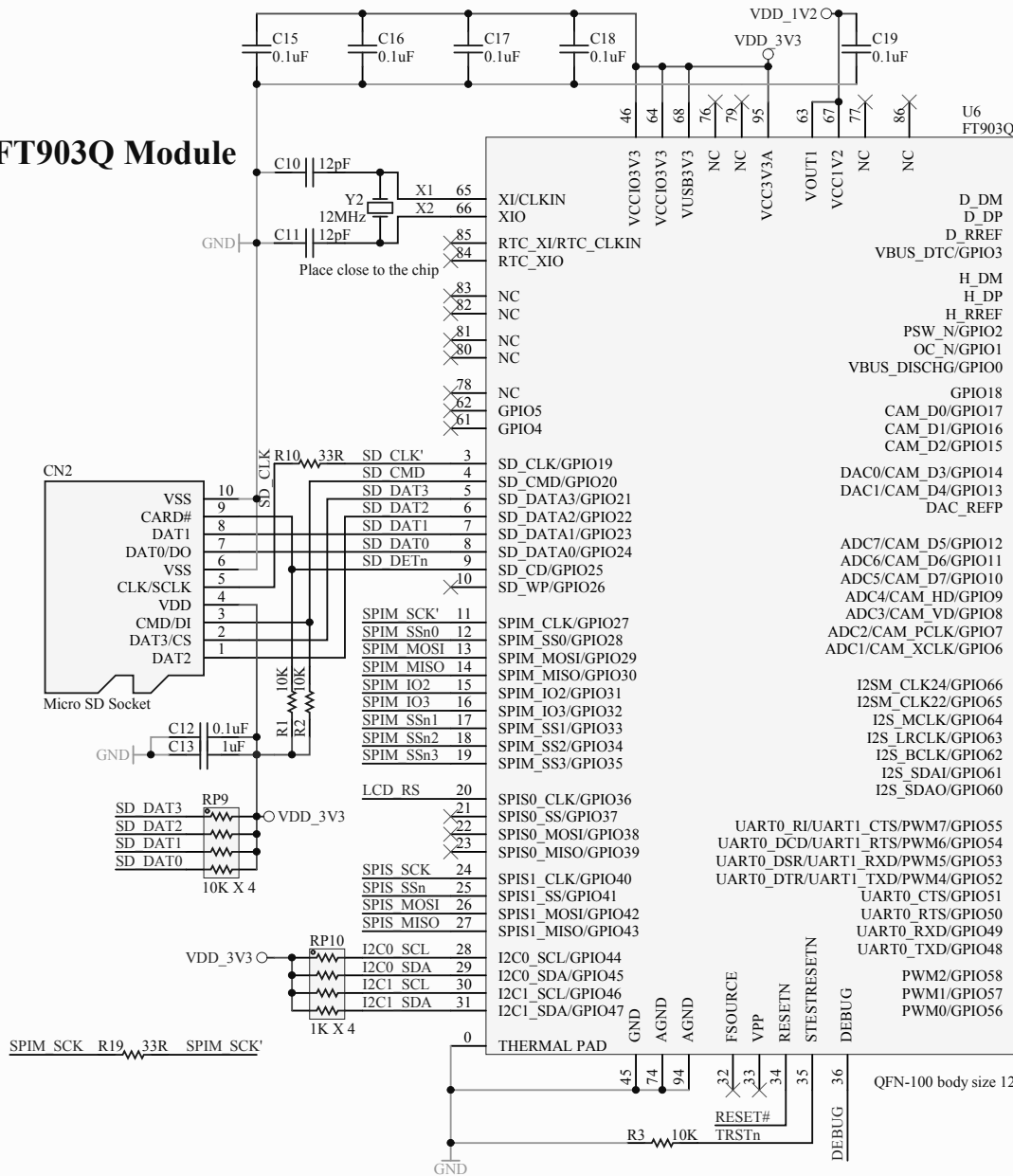
Future Technology Devices International Ltd.

178 Paya Lebar Road
#07-04/05
Singapore 409030

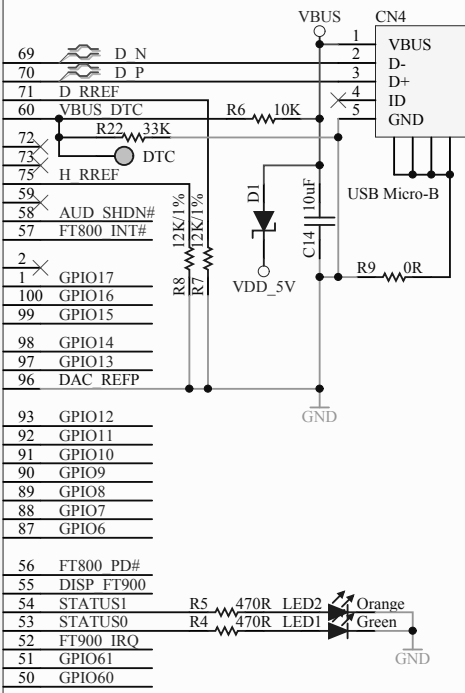
<http://www.ftdichip.com>



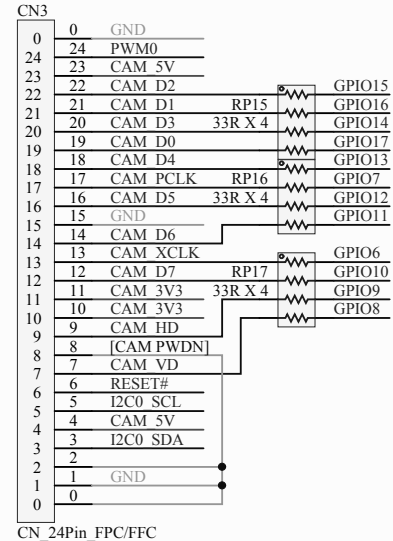
FT903Q Module



USB2.0 Device Port



Camera Connector

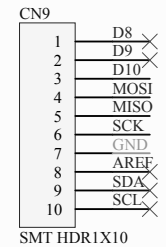
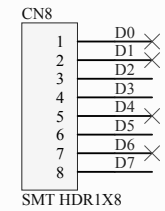
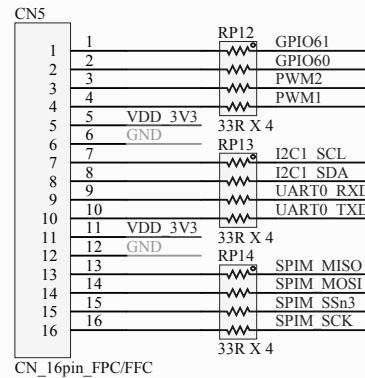
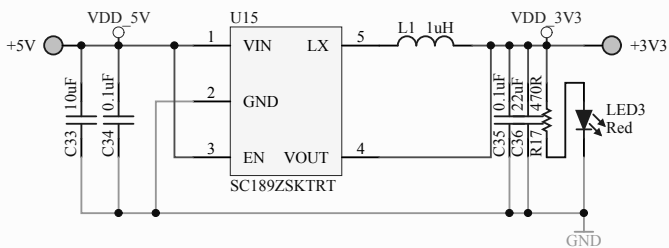
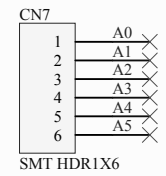
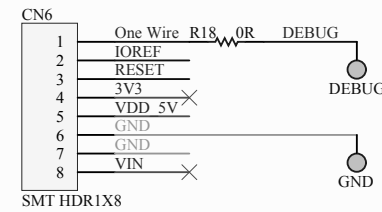
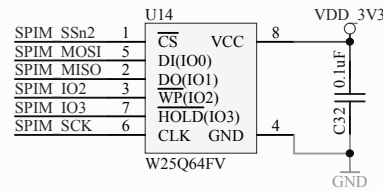
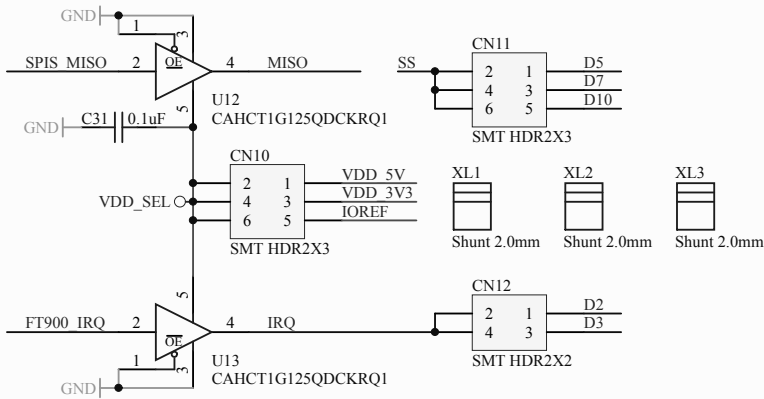
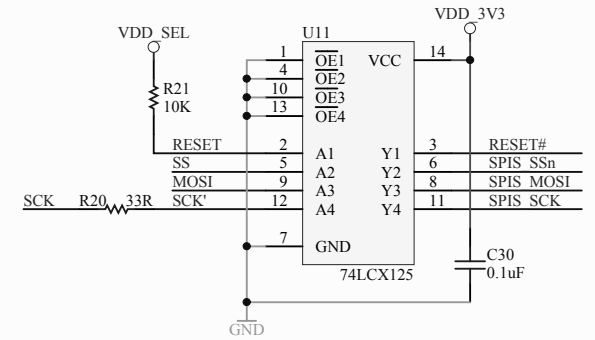
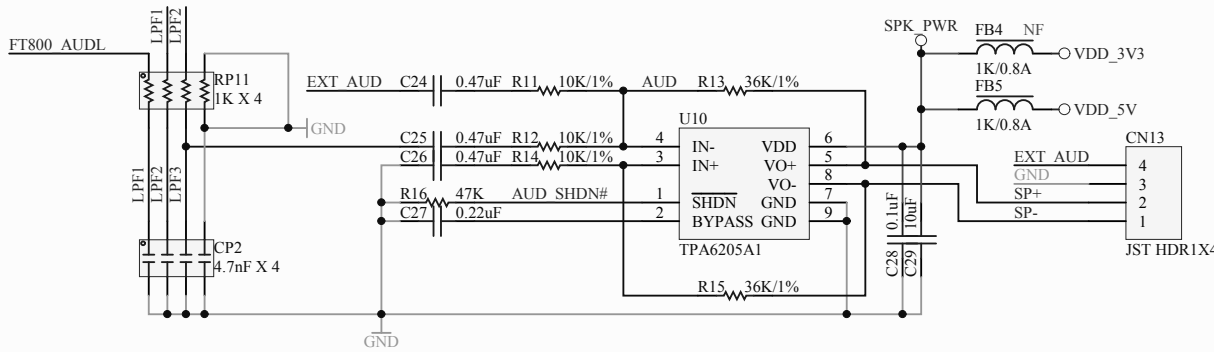


CN_24Pin_FPC/FFC



QFN-100 body size 12mmx12mm, pitch 0.4mm

Title HW_451_ME800EV-Arduino FT903Q Connection			Future Technology Devices International Ltd. 178 Paya Lebar Road #07-04/05 Singapore 409030 http://www.ftdichip.com		
Size: A4	Number: HW_451	Revision: 1.1			
Date: 11/3/2016	Time: 3:03:18 PM	Sheet 3 of 4			
File: HW_451_ME800EV-Arduino_FT903Q_Connection.SchDoc					



Title **HW_451_ME800EV-Arduino Power and Connectors**

Future Technology Devices International Ltd.

178 Paya Lebar Road
#07-04/05
Singapore 409030



Size: A4

Number: HW_451

Revision: 1.1

Date: 11/3/2016

Time: 3:03:18 PM

Sheet 4 of 4

<http://www.ftdichip.com>

File: HW_451_ME800EV-Arduino Power and Connectors.SchDoc