



This product is produced based on quality system of the International Organization for Standardization

Grade 0.6 Pressure Gauges

OUTLINE

This pressure gauge has been designed and used for high-precision applications and is equipped with a stainless steel precise Bourdon tube. Its case is of dustproof type. As a gauge high-precision measurement for research work, this pressure gauge is used for research and experiment, and for calibrating secondary gauges as a standard pressure gauge.

FEATURES

- A precise Bourdon tube of this gauge has been especially designed for high-precision applications. This Bourdon tube is also provided with excellent corrosion resistance.
- To secure safety of operation in case this pressure gauge breaks during direct reading, a blowout disk window is provided as a standard.
- * In case of selecting pressure gauge, choose the pressure range which can be used in between 30 ~ 65% of full scale, so that the gauge can give its full capacity.
- * Also should be confirmed whether the wetted parts material is suitable for the fluid or not.

SPECIFICATION 1

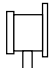
Fluid:


Gas or liquid

Size:

100 DIA., 150 DIA., 200 DIA.

Mounting:

Stem  Type B (Mounting hole)

Panel  Type D (Mounting clamp, Mounting hole, With handle)

Connection:

G3/8B (PF), G1/2B (PF), 1/2NPT
R3/8 (PT), R1/2 (PT)

* For other connections, please contact us.

Wetted parts material:

General use

Bourdon tube 316 st.st.

Socket CAC203

* Available up to 10MPa

Corrosion-proof use

Bourdon tube 316 st.st.

Socket 316 st.st.

Pressure range:

0 ~ 0.1 → 0 ~ 200MPa

-0.1~0 → -0.1 ~ 2.5MPa

Operating temperature:

-5 ~ 40°C

Accuracy:

±0.6%F.S. (JIS standard)

±0.5%F.S. (With no JIS mark)

* ±0.75% F.S. is available, contact NKS for details.

Blowout disk:

When an emergency, Bourdon tube exploded, it open up internal-pressure from blowout disk, and blowout disk prevents puncture of window

Note To keep normal function, please take a space behind of gauge at least 10mm when installing. Don't process or stop up the blowout disk.

Pointer:

Twist pointer

Case material inishing:

ADC12 (In case of GA3□ AC7A) · Black

Weight:

100 DIA. Approx. 0.8 kg

150 DIA. Approx. 1.5 kg

200 DIA. Approx. 2.1 kg

Treatment: (Option)

Use no oil · water . . . Produce it to be not oil or water in wetted parts

Dial scale specified: (Option)

Capacity scale, Dual scale, Printed words, Colored circle

SPECIFICATION 2

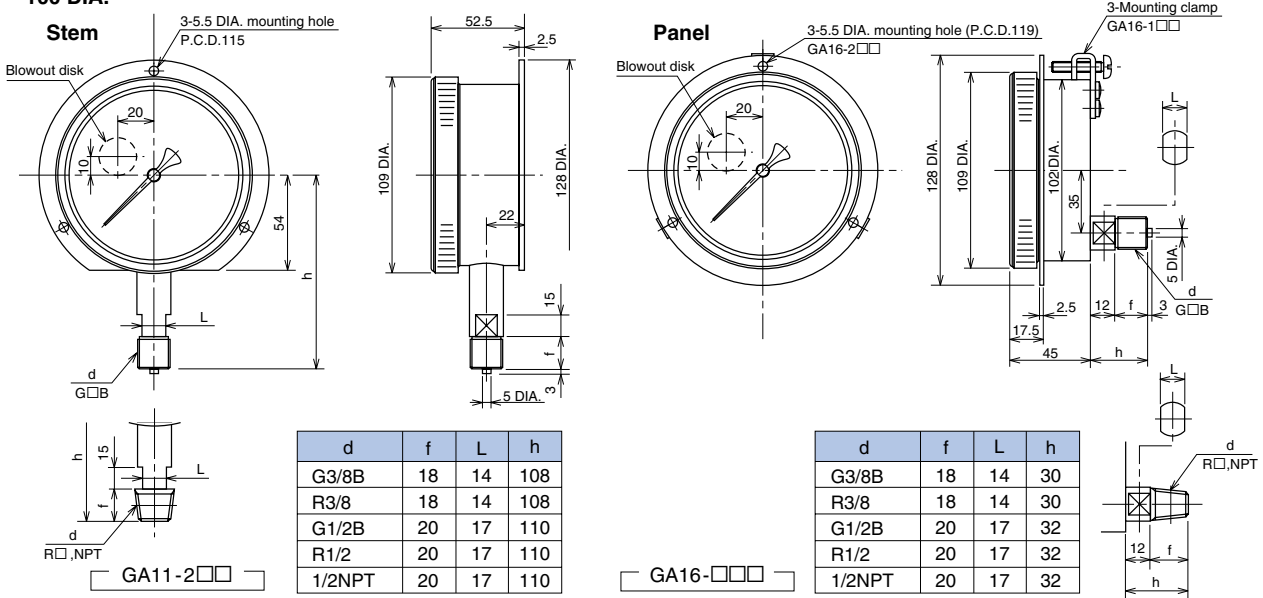
Minimum graduation:

Pressure Range (MPa)	Minimum Graduation (MPa)		Pressure Range (MPa)	Minimum Graduation (MPa)	
	JIS Grade 0.6	Old JIS Grade 0.5		JIS Grade 0.6	Old JIS Grade 0.5
0.1	0.001	0.001	35	—	0.5
0.16	0.001	—	40 (JIS is not available)	0.2	—
0.2	—	0.002	50	—	0.5
0.25	0.002	—	60	0.5	—
0.3	—	0.005	70	—	1.0
0.4 (JIS is not available)	0.002	0.005	100	1.0	1.0
0.6	0.005	0.005	150	—	2
1	0.01	0.01	160	2	—
1.5	—	0.02	200	—	2
1.6	0.01	—	-0.1 ~ 0	0.001	0.001
2	—	0.02	-0.1 ~ 0.1	0.002	0.002
2.5	0.02	0.02	0.16	0.002	—
3.5	—	0.05	0.2	—	0.005
4 (JIS is not available)	0.02	—	0.25	0.002	—
5	—	0.05	0.3	—	0.005
6	0.05	—	0.4	0.005	0.005
7	—	0.1	0.6	0.005	0.01
10	0.1	0.1	1	0.01	0.01
15	—	0.2	1.5	—	0.02
16	0.1	—	1.6	0.02	—
25	0.2	0.2	2	—	0.02
			2.5	0.02	—

The range within are type approval. (Only 150 DIA. gauges, for those over 25MPa)

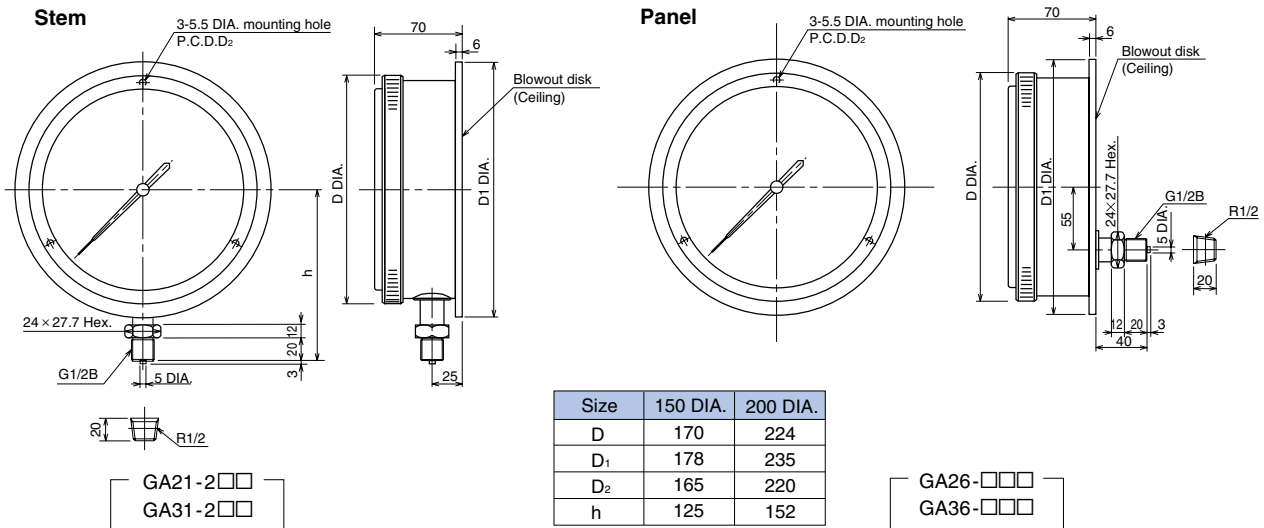
DIMENSION (Unit: mm)

100 DIA.



* When surface mounting, please provide a hole (25 DIA.) for blowout disk on the mounting wall.

150 - 200 DIA.

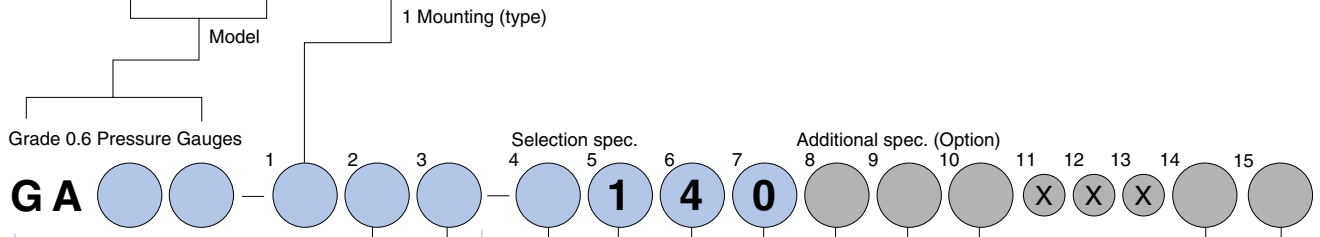
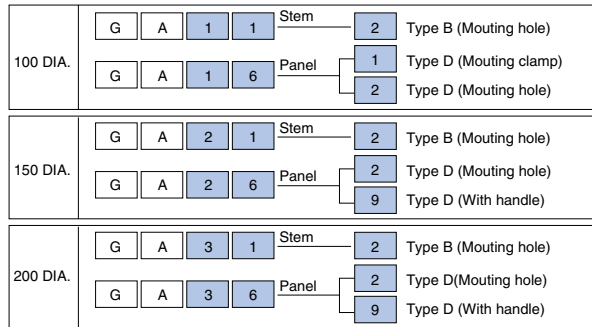


* When mounting on the wall, please provide a 10mm space between the gauge and the wall for backpanel space.

Type No. constitution

Please specify Type No.,each specification and range when ordering.

Note: For this Model,there is no applicable item for the figures X,but please specify X when ordering.



2 Connection

- 3 G3/8B Applicable GA1□only.
- 4 G1/2B
- 6 1/2NPT
- 8 R3/8 Applicable GA1□only.
- 9 R1/2

3 Wetted parts material

- 1 General use Applicable to 10MPa range.
- 3 Corrosion-proof use

4 Pressure range (MPa)

(When ordering,please specify pressure range & unit.)

	GA1□	GA2□	GA3□
1 -0.1 ~ 0.1, 0.16, 0.2, 0.25, 0.3, 0.4 -0.1 ~ 0.6, 1, 1.5, 1.6, 2, 2.5	○	○	○
2 0 ~ 0.1, 0.16, 0.2, 0.25, 0.3, 0.4, 0.6 0 ~ 1, 1.5, 1.6, 2, 2.5, 3.5, 4 -0.1 ~ 0	○	○	○
3 0 ~ 5, 6, 7, 10	○	○	○
4 0 ~ 15, 16 Applicable corrosion-proof use only 0 ~ 25, 35 Applicable corrosion-proof use only	○	○	○
5 0 ~ 50, 60, 70 Applicable corrosion-proof use only	—	○	○
6 0 ~ 100 Applicable corrosion-proof use only	—	○	○
7 0 ~ 150, 160 Applicable corrosion-proof use only	—	○	○
8 0 ~ 200 Applicable corrosion-proof use only	—	○	○

5 Accuracy

- 1 ±0.5%F.S.

6 Pointer

- 4 Twist pointer

7 Window

- 0 Acrylic glass
(10MPa range below of GA11 · 16)
is inorganic glass

8 Treatment

- 0 Nil
- 1 Use no oil
- Use no water
- 3 Use no oil · water

9 Throttle

- 0 Nil
- 1 FS10-011 (General use)
FS10-013 (Corrosion-proof use)
- 2 FS10-081 (with pipe)

10 Other additional spec.

- 0 Nil
- 1 Please specify your requirement
Dial scale specified
Wooden housing box

14 Standard

- J JIS Standard
Accuracy ±0.6% F.S.
- X Not JIS standard

15 Document

- 0 Nil
- 1 Please specify your requirement
Drawing one sheet,Instruction manual
Inspection procedure,Mill sheet
Test report