

IS-8
IS-16
IS-32

IntelliSpark™

INTELLIGENT IGNITION CONTROL SYSTEM

Maximizes the performance of your spark-ignited natural gas engine.

Crankshaft-referenced 16-bit microprocessor-based system
Patented Smart Coil technology
Automatic energy control
Five timing reference options including camless operation
Two field-adjustable timing schedules
Optimized engine combustion and performance
True primary and secondary diagnostics
Increased spark life



IS-8 Ignition Controller Fires 8 Outputs
IS-16 Ignition Controller Fires 16 Outputs
IS-32 Ignition Controller Fires 32 Outputs

Ensure the health of your spark-ignited natural gas engine with Murphy's IntelliSpark ignition controller and components.

True primary and secondary diagnostics provide users with an intelligent view of engine operation, while increased programming capabilities give you ultimate control. The IntelliSpark systems feature microprocessor and capacitive discharge functionality



Approved for hazardous areas
Class I, Div. 2, Groups B, C, and D.

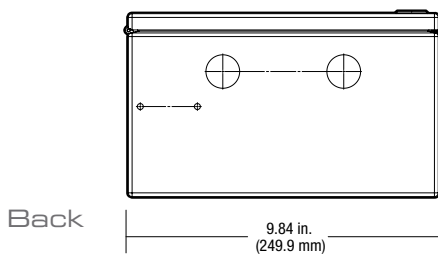
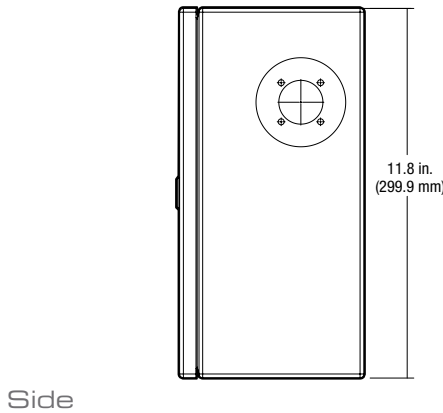
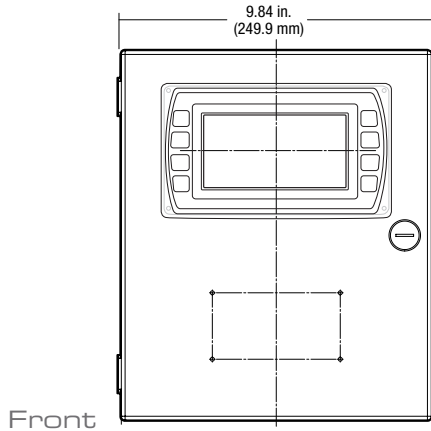
for any application that requires a cost-effective operation.

IntelliSpark technology is utilized in Murphy's Engine Integrated Control System (EICS).

Put this power to work and see reduced costs and enhanced flexibility.

IntelliSpark™

STANDARD DIMENSIONS



SPECS:

- Power Requirements:
 - IS-16/8: 10-30 Volts (12/24 VDC nominal), 3.0 Amps max.
Note: The input current is dependent on firing rate.
 - IS-32: 10-30 Volts (12/24 VDC nominal), 6.0 Amps max.
- Environment:
 - Temperature Operating Range: -4 to +158 F (-20 to +70 C)
 - Enclosure Rating: IP167 with display mounted in the enclosure
 - Enclosure Rating: Type 4 with no display mounted in the enclosure
- Energy Storage:
 - IS-8/16: 125 mJ max, per tank capacitor
 - IS-32: 180 mJ max, per tank capacitor
- Outputs:
 - IS-8: Fires 8 outputs
 - IS-16: Fires 16 outputs
 - IS-32: Fires 32 outputs, 2 outputs can fire simultaneously.
- Output Electrical Specifications:
 - IS-8: Single tank capacitor
 - IS-16: Dual, alternately fired tank capacitors
 - IS-32: Quad, alternately fired pairs of tank capacitors. Ignition Outputs are High-side firing referenced to the "T" pin on the output harness.
Note: These outputs are not ground referenced unless the "T" lead is grounded. Recommend careful adherence to installation instructions.
- Maximum Output Current Pulse Rating: 40 Amps
Note: Current pulse amplitude is dependent on the coils in use and the tank capacitor voltage.
 - IT-230 Series coils: 7 Amp pulse @ 230Volts
 - IT-150 Series coils: 35 Amps @ 150 Volts
 - IT-250 series coils: 20 Amps @ 250 Volts
- 4/20 mA Inputs:
 - 4/20mA A: Programmable to retard timing when schedule A is active.
 - 4/20mA B: Programmable to retard timing when schedule B is active.
- Communications:
 - IS-8/16: Available auxilliary comm port, RS-485 interface, Modbus protocol.
Note: The port has a user programmable slave ID, runs at 9600 baud (19.2K).
All parameters available can be modified in parallel via front panel display.

APPROVALS:



Approved for hazardous areas
Class I, Div. 2, Groups B, C, and D.

ENOVATION CONTROLS CORPORATE HEADQUARTERS
5311 S 122ND EAST AVENUE
TULSA, OK 74146

ENOVATION CONTROLS – SAN ANTONIO OFFICE
5757 FARINON DRIVE
SAN ANTONIO, TX 78249

ENOVATION CONTROLS – HOUSTON OFFICE
105 RANDON DYER RD
ROSENBERG, TX 77471

ENOVATION CONTROLS LTD. – UNITED KINGDOM
CHURCH ROAD LAVERSTOCK
SALISBURY SP1 1QZ UK

MURPHY ECONTROLS TECHNOLOGIES (HANGZHOU) CO, LTD.
77 23RD STREET
HANGZHOU ECONOMIC & TECHNOLOGICAL DEVELOPMENT AREA
HANGZHOU, ZHEJIANG 310018 CHINA

DOMESTIC SALES & SUPPORT

ECONTROLS PRODUCTS
PHONE: 210 495 9772
FAX: 210 495 9791
EMAIL: INFO@ECONTROLS.COM
WWW.ECONTROLS.COM

MURPHY PRODUCTS
PHONE: 918 317 4100
FAX: 918 317 4266
EMAIL: SALES@FWMURPHY.COM
WWW.FWMURPHY.COM

MURPHY CONTROL SYSTEMS & SERVICES
PHONE: 281 633 4500
FAX: 281 633 4588
EMAIL: CSS-SOLUTIONS@FWMURPHY.COM

MURPHY INDUSTRIAL PANEL DIVISION
PHONE: 918 317 4100
FAX: 918 317 4124
EMAIL: IPDSALES@FWMURPHY.COM

INTERNATIONAL SALES & SUPPORT

UNITED KINGDOM
PHONE: +44 1722 410055
FAX: +44 1722 410088
EMAIL: SALES@ENOVATIONCONTROLS.EU
WWW.FWMURPHY.EU

CHINA
PHONE: +86 21 6237 5885
FAX: +86 21 6237 5887
EMAIL: APSALES@FWMURPHY.COM

LATIN AMERICA & CARIBBEAN
PHONE: 918 317 2500
EMAIL: LASALES@FWMURPHY.COM

SOUTH KOREA
PHONE: +82 70 7951 4100
EMAIL: SKOREASALES@FWMURPHY.COM

INDIA
PHONE: +91 91581 37633
EMAIL: INDIALES@FWMURPHY.COM

ISO 9001
REGISTERED



USA (TULSA) - ISO 9001:2008 FM 28221
USA (ROSENBERG) - ISO 9001:2008 FM 28221
UK - ISO 9001:2008 FM 29422
CHINA - ISO 9001:2008 FM 52385
Registered Facilities

Printed in the USA
1300109 rev. 7-14