

Autostart AS731/AS732 Generator Controller

Installation Instructions

mi6128
revision F, 15th April 2004
catalogue section 75



Section A: Panel Installation and Wiring

Please read the following information before installing. A visual inspection of this product for damage during shipping is recommended before installation. It is your responsibility to ensure that qualified mechanical and electrical technicians install this product. If in doubt, please contact your local Murphy representative.

GENERAL INFORMATION

WARNING

BEFORE BEGINNING INSTALLATION OF THIS MURPHY PRODUCT

- ✓ Disconnect all electrical power to the machine
- ✓ Make sure the machine cannot operate during installation
- ✓ Follow all safety warnings of the machine manufacturer
- ✓ Read and follow all installation instructions

General

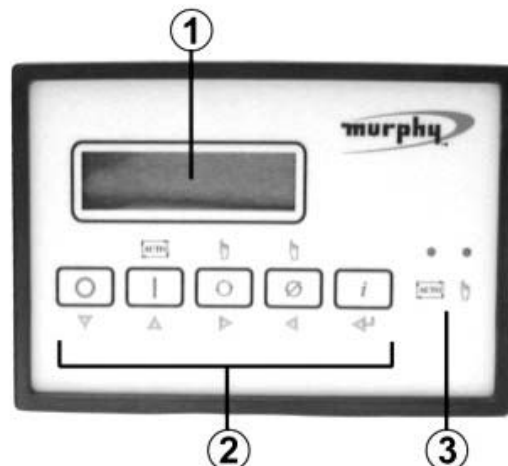
The Autostart AS731 and AS732 provide full-function, automatic or manual control for diesel generators. The fully programmable, microprocessor-based units include full measurement and display of engine and AC generator parameters, with a fully automatic fault protection and warning system. Facilities are also provided for remote monitoring and control via RS232 communication link and PC software; the AS732 additionally features an RS485 MODBUS RTU compatible link.

This document details the panel mounting and electrical connection of AS731 and AS732 units fitted with firmware versions V1.00 through V2.x.x. Further details about specification, programming and operation may be found in the following documents:-

Doc. ref.	Title
ms6127	AS731 bulletin
ms6343	AS732 bulletin
mi6129	AS731/732 installation B: programming
mi6243	AS731/732 installation C: AS730 to AS731/AS732 retrofitting
mi6130	AS731/732 operation
mi6131	AS731/732 and PC software model AS7CN
mi6344	AS732 RS485 MODBUS protocol

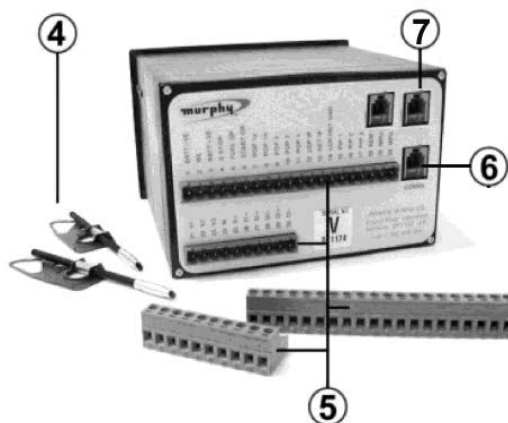
MODBUS® is a registered trademark of AEG Schneider Automation Inc.

Front facia



1. 2 line x 16 character backlit liquid crystal display
2. Operator control keys
3. Auto/manual mode LED indication

Rear facia



4. Mounting clamps
5. 2 x two part, screw terminal blocks, 1 – 20 and 21 - 30
6. RS232 communication port (RJ11 connector)
7. (AS732 only) RS485 comms ports (2 x RJ45 connectors)



FWMurphy

PO Box 470248
Tulsa, Oklahoma 74147, USA
tel: +1 918 317 4100
fax: +1 918 317 4266
email: sales@fwmurphy.com
web: www.fwmurphy.com

CONTROL SYSTEMS AND SERVICES DIVISION
PO Box 1819, Rosenberg, Texas 77471, USA
tel: +1 281 342 0297
fax: +1 281 341 6006
email: sales@fwmurphy.com

MURPHY DE MEXICO S.A. DE C.V.
Blvd. Antonio Rocha Cordero 300, Fracción del Aguaje
San Luis Potosí, S.L.P. México 78384
tel: +52 444 8206264
fax: +52 444 8206336
Villahermosa office tel: +52 993 3162117
email: ventasmex@murphymex.com.mx
web: www.murphymex.com

FRANK W. MURPHY LTD.
Church Rd., Laverstock, Salisbury, SP1 1QZ, UK
tel: +44 1722 410055
fax: +44 1722 410088
email: sales@fwmurphy.co.uk
web: www.fwmurphy.co.uk

MURPHY SWITCH OF CALIFORNIA
41343 12th Street West,
Palmdale, CA 93551-1442, USA
tel: +1 661 272 4700
fax: +1 661 947 7570
email: sales@murphyswitch.com
web: www.murphyswitch.com

MACQUARRIE CORPORATION
1620 Hume Highway,
Campbellfield, Victoria 3061, Australia
tel: +61 3 9358 5555
fax: +61 3 9358 5558
email: murphy@macquarrie.com.au



USA - ISO9001:2000 FM 28221
UK - ISO9001:2000 FM 29422

In order to consistently bring you the highest quality, full featured products, we reserve the right to change our specifications and designs at any time.

GENERAL INFORMATION (cont.)

Anti-static precautions

The AS731/732 features sensitive electronic components that may be damaged by static discharge. Anti-static precautions must therefore be observed when storing, unpacking and handling:-

- Store the unit in the anti-static bags supplied
- Use earthed wrist straps and anti-static mats when handling and during installation.
- Handle the unit by its external plastic casing. Except for connection purposes, avoid direct physical contact with the electrical connectors.

Unpacking

For each unit ordered, the following is supplied:-

- 1 x AS731 or AS732 module (model reference as listed on the rear label), including:-
 - 2 x removable terminal blocks at the rear
 - 2 x mounting clamps (one on each side of the case)
 - on AS732 units, 1 x network terminator module inserted into one of the RS485 ports.
- These installation instructions

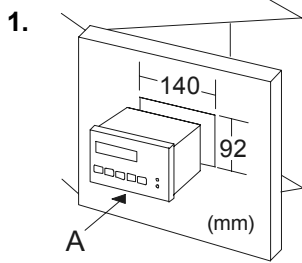
Optional communication accessories include:-

- Model AS7CP, RS232 local (null modem) communication lead, RJ11 to 9 way D type.
- Model AS7CQ, 9 way to 25 way D type adaptor, for use with AS7CP.
- Model AS7CR, RS232 modem communication lead, RJ11 to 25 way D type.

Product specification

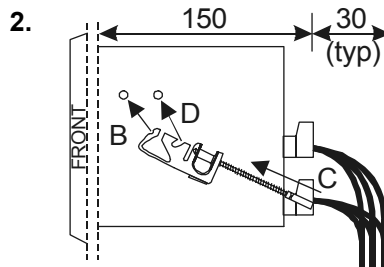
Power supply:	
Operating voltage: steady state range crank brown-out	5 – 40 V DC continuous to 0 V for >=100mS
Current consumption: standby (typ) cranking (typ)	95mA @ 12V, 55mA @ 24V 280mA @ 12V, 170mA @ 24V
Inputs:	
DC inputs:- <i>positive input defined as:</i> <i>negative input defined as:</i>	80% to 100% of battery positive –1V to +2V w.r.t. battery negative switch (open or closed) or analogue (Murphy, Datcon, VDO 5 or 7 bar), wired to negative DC open or closed to negative DC
Inputs 1 and 2 (oil pressure and engine temperature)	
Inputs 3 – 5	
Generator AC:- operating voltage range	3 phase, 90 – 300 V AC rms L–N 1 VAC
gen. volts display resolution	0 – 99 Hz.
gen. frequency measurement range	<= 2% of full scale
gen. frequency display accuracy	1 Hz.
gen. frequency display resolution	
Magnetic pickup: operating voltage range	2.5 – 25 V AC rms
frequency measurement range	0 – 10 kHz.
engine RPM display accuracy	<= 2% of full scale
engine RPM display resolution	10 RPM
AC current sensing inputs: operating range	designed for use with 5 Amp CT's primary ratings 10 to 5000 Amps <i>(all ratings for resistive load)</i>
Outputs:	
Start and fuel relays	positive DC (switched relay) rated 16 A max. @ 24 V DC
Programmable output 1 (default setting: gen. contactor)	volt free SPNO relay 5 A max. @ 240 V AC
Programmable outputs 2 – 4	negative DC (semiconductor) 500 mA max. @ 33 V DC
Communications:	
RS232 port connector	RJ11
RS232 Baud rate	9600
RS232 max. lead length	10 metres
RS485 port connector	2 x RJ45
RS485 Baud rate	9600
RS485 maximum network length	1000 metres
RS485 protocol	MODBUS RTU
Physical:	
Overall dimensions (W x H x D)	144 x 96 x 162 mm
Panel cut-out size (W x H)	DIN standard 140 x 92 mm
Weight	approx. 770 g
Operating ambient temperature	–10 to +55 °C

PANEL MOUNTING

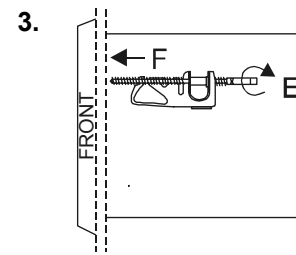


1. Each unit is mounted in the front of a control panel through a DIN standard cut-out, 140 mm wide by 92 mm high.

With the mounting clamps removed, insert the module through the front of the panel cut-out (A). The case extends to 150mm behind the panel front. An extra 30mm should typically be allowed for the connection of the wiring harness.



2. Working behind the panel front, fit the two mounting clamps to studs on the side of the case. Locate each clamp on to the front stud (B), compress the clamp by pressing on the screw (C) and push the clamp upwards to locate on to the rear stud (D).



3. With both clamps fitted, tighten the screwed pins (E) so that they move forward and secure the unit to the rear of the panel facia (F). The case design allows a panel thickness of up to 8mm.

ELECTRICAL CONNECTION



DANGER!
HIGH VOLTS

WARNING: DANGER OF INJURY OR DEATH. During normal operation, the AS731/AS732 is connected to high voltage AC circuits. Before connection, disconnection or handling of these units, ensure that all AC and DC power supplies are isolated. Connection to or disconnection from live wiring may also cause damage to AS731/AS732 internal components.

General

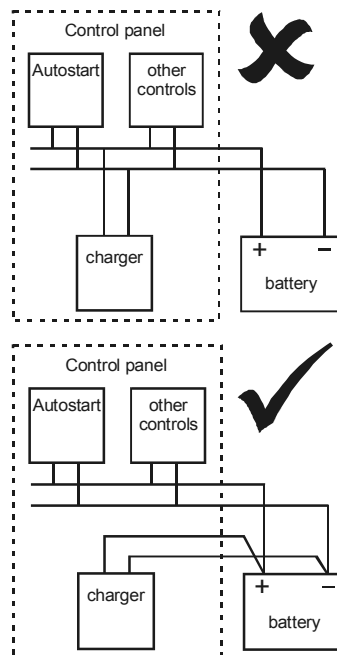
Electrical connection is at the rear of each unit, through a pair of two-part type screw terminal blocks labelled 1 - 20 and 21 - 30. Use a 3mm (1/8") flat head screwdriver to loosen and tighten each screw terminal: to avoid excessive rotational force on the circuit boards, Murphy recommend that each connector block is removed from the unit before loosening or tightening individual screw terminals.

Murphy make the following general connection recommendations:-

Battery chargers

Some battery chargers feature significant ripple and switching noise on the DC output. This electrical interference can be imposed on the panel power supply and control lines, with the potential to cause faulty operation of (and in extreme cases damage to) electronic control equipment.

Minimise the effects of charger output noise by using separate wiring 1) between charger output and battery terminals (or starter motor star point) and 2) between battery terminals and panel DC supply rail.



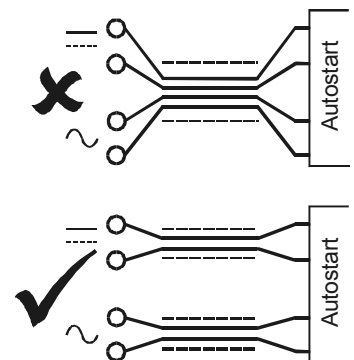
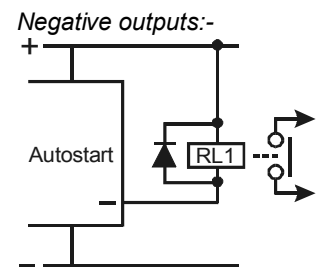
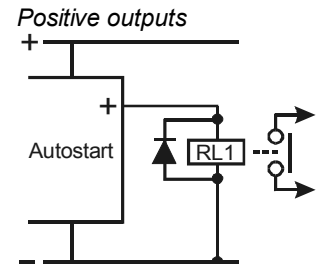
External Slave Relays are a recommended connection on all outputs (as shown right), either to achieve the required load switching capability, or to reduce wear and tear on internal relay contacts.

Slave relay and solenoid coils will naturally emit voltage spikes when de-energising, with the potential to cause faulty operation of, or damage to, electronic equipment.

Suppress relay and solenoid coils at source, using the manufacturer's recommended suppression network. DC coiled relays may also be suppressed using a reversed biased flywheel diode as shown right.

AC cabling & wiring harnesses

Separation of AC and DC wiring/harnesses is strongly recommended, in particular where AC circuits feature inductive/switched loads or high frequency noise, or where cable lengths above 5 metres are used.



ELECTRICAL CONNECTION (cont.)

A typical wiring diagram is shown in the panel on page 5. Specific terminal functions are as follows:-

Terminal block 1 - 20

Pin Function

1 Negative DC power supply/ground

3 Positive DC power supply

Use a clean, noise-free DC supply between 5 and 40 V, normally the engine's 12V or 24V battery supply.

The AS731/AS732 design is optimised for use with negative ground (earth return) systems, but may also be used with insulated (two wire) systems. **These units MUST NOT be connected to positive earth systems.**

Pin 1 (negative DC) **MUST** be connected to ground/earth before connection of the RS232 communication port.



WARNING: failure to connect pin 1 to negative DC / ground before connecting the RS232 port may result in damage to the AS731/AS732, PC or laptop.

The wiring to the positive DC terminal (pin 3) should incorporate a 5 Amp anti-surge fuse.

2 Charge fail input

A 'charge fail' condition occurs when this pin is switched to negative DC. Pin 2 may be connected to the WL terminal of a charge alternator (Autostart provides the necessary excitation current), or to the 'charge fail' output of a BC700 series charger, or direct to negative DC via relay contacts which close on fault.

When used with a charge alternator, pin 2 may also be programmed to detect an 'engine running' condition.

If a charge fail alarm is not required, leave pin 2 open circuit and program the 'charge fail' setting to 'not used'.

4 Positive DC (feed for relays)/Emergency stop

Pin 4 is a positive DC feed for the Fuel and Start outputs (pins 5 and 6). If required, emergency stop switches (push to break, mechanically latching types) may be wired between positive DC and pin 4.

5 Fuel output

6 Starter output

These are positive DC outputs, rated to 16 Amps, for the control of engine (energised to run) fuel and starter motor circuits. Murphy recommend the connection of slave relays, with suppressed coils, between these outputs and the fuel and starter solenoids (see typical connection circuit on previous page).

7 Program output (POP) 1a: Normally open contact

8 Program output (POP) 1b – Normally open contact

9 Program output (POP) 2 – solid state, negative DC

10 Program output (POP) 3 – solid state, negative DC

11 Program output (POP) 4 – solid state, negative DC

These outputs may be programmed to give one of 50 signalling and control 'actions', e.g. 'preheat', 'engine running', 'overspeed fault', etc. A full list of output 'actions' may be found in document mi6129.

Output 1 (pins 7 and 8) is a volt free, normally open contact (see specification for rating info). The default program action is set for 'generator contactor' control.

Outputs 2, 3 and 4 (pins 9, 10 and 11) are semi-conductor outputs. Each output gives a negative DC signal when active (maximum rating 500mA), and is typically used to drive a remote slave relay: connect the relay coil between the output and positive DC, and suppress each coil with a flywheel diode or suitable suppressor network (as detailed left, and on the typical wiring diagram below).

Output 2 has default programming 'common alarm'. The default setting of outputs 3 and 4 is 'not used'.

12 Input 1: Low Oil Pressure (LOP)

13 Input 2: High Engine Temperature (HET)

14 LOP/HET return/ground

These terminals allow connection of LOP and HET resistive senders or fault switches. Before use, the module must be programmed for use with the specific type of sender (Murphy, Datcon or VDO) or switch (open on fault or closed on fault).

Resistive senders allow the Autostart to measure and display oil pressure and temperature. Senders also enable a pre-alarm warning as well as a shutdown response. For greatest accuracy and most reliable operation, two wire senders should be used. The sender should be connected between each input and the common return wire on pin 14. One wire (ground return) senders should *not* be used, since small amounts of noise on the ground/chassis can result in significant signal distortion and measurement error.

Fault switches allow the trigger of a simple shutdown response. A two-wire (insulated) switch should be wired between the input and pin 14. For earth return switches, leave pin 14 open circuit (to avoid ground loops).

Further details of sender options and characteristics can be found in the AS731/732 programming literature, document mi6129.

15 Input 3 (programmable)

16 Input 4 (programmable)

17 Input 5 (programmable)

These inputs may be used with remote contacts (open or closed to activate) to trigger a range of programmable 'actions', e.g. shutdown fault, warning fault, lamp test, manual start, manual restore (of mains supply), etc. (see document mi6129 for full programming details)

The remote contacts should be wired between the input and battery negative.

18 Remote start/mains fail input

Use this input to initiate an automatic engine start in AUTO mode. Connect the remote contact between pin 18 and battery positive DC. The input may be programmed to initiate a remote start on either an opening or closing contact.

ELECTRICAL CONNECTION (cont.)

19 Magnetic pickup positive

20 Magnetic pickup negative

These terminals allow engine speed to be measured using a magnetic pickup. Pickup positive and negative output terminals should be respectively connected to pins 19 and 20. (*Note: where the pickup head is isolated from the pickup body and ground, polarity of connection is not usually important.*)

The connection between pickup and Autostart should use a twisted pair and shield cable, with the shield connected to ground at one end only.

The number of engine flywheel teeth must be programmed into the unit before it will correctly measure and display engine speed.

Terminal block 21 - 30

21 Generator volts L1

22 Generator volts L2

23 Generator volts L3

24 Generator Neutral

the automatic crank release, load switching and voltage/frequency/speed tripping.

Voltages are measured between each phase and the neutral terminal (maximum rating 300 VAC). The unit can however be programmed to display AC voltages as either phase to neutral or phase to phase. Voltages are displayed on the LCD, left to right, L1, L2, L3.

The AS731/AS732 can also be programmed for use with 2 phase and neutral systems (leave pin 23 open circuit) and single phase systems (leave pins 22 and 23 open circuit).

A 1 Amp anti-surge fuse should be connected in series with each phase input (pins 21, 22 and 23).

25 CT L1

26 CT L1 return

27 CT L2


28 CT L2 return

29 CT L3

30 CT L3 return


These inputs are used to measure 3 phase generator current. Each input pair is designed for direct connection to a current transformer (CT) with a 5 Amp rated secondary coil. Where CTs are connected at a common star point, the star point should be commoned with pins 26, 28 and 30.

The CT primary coil ratio must be programmed into the Autostart before the unit will correctly measure and display AC current. A number of other programmable options allow the setting of generator over current warning and/or trip levels.



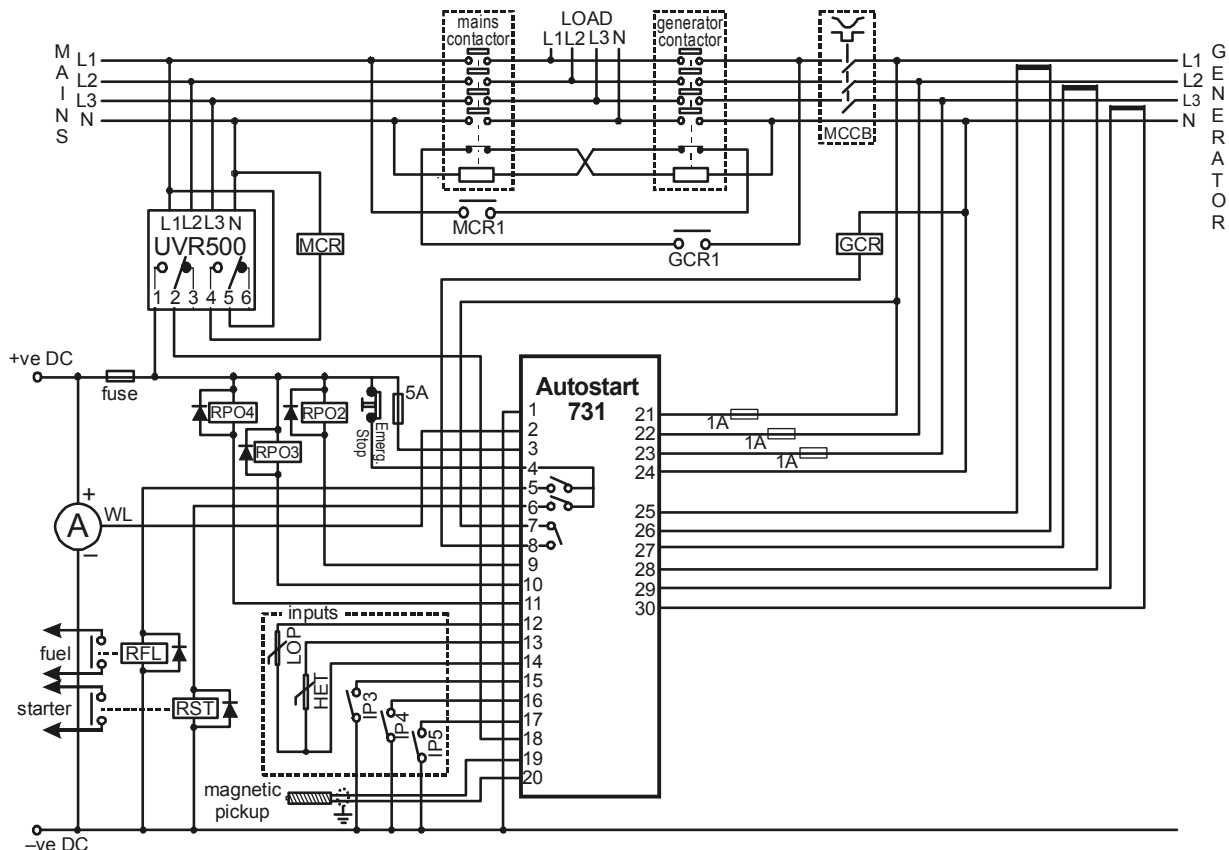
WARNING: HIGH VOLTAGE - DANGER OF INJURY OR DEATH.

- Ensure that all AC power supplies are isolated before connection, disconnection or handling.
- Use fully shrouded wiring connectors on these terminals.



These terminals are used to sense the generator AC voltage and frequency, required for functions such as

Typical wiring diagram (AS731 automatic mains fail generator)



ELECTRICAL CONNECTION (cont.)

Communication ports

RS232 communication

To the right of terminal block 1 – 30, an RJ11 telephone type connector enables RS232 communication between the Autostart and a PC running Murphy software AS7CN.

Before connection of this port, the negative DC supply terminal (pin 1) **MUST** be connected to ground/earth.



WARNING: failure to connect pin 1 to negative DC / ground may result in damage to the Autostart, PC or laptop.

The PC may be connected to the port 'locally' via a short serial (null-modem) lead such a Murphy model AS7CP, or 'remotely' using modems and the telephone network.

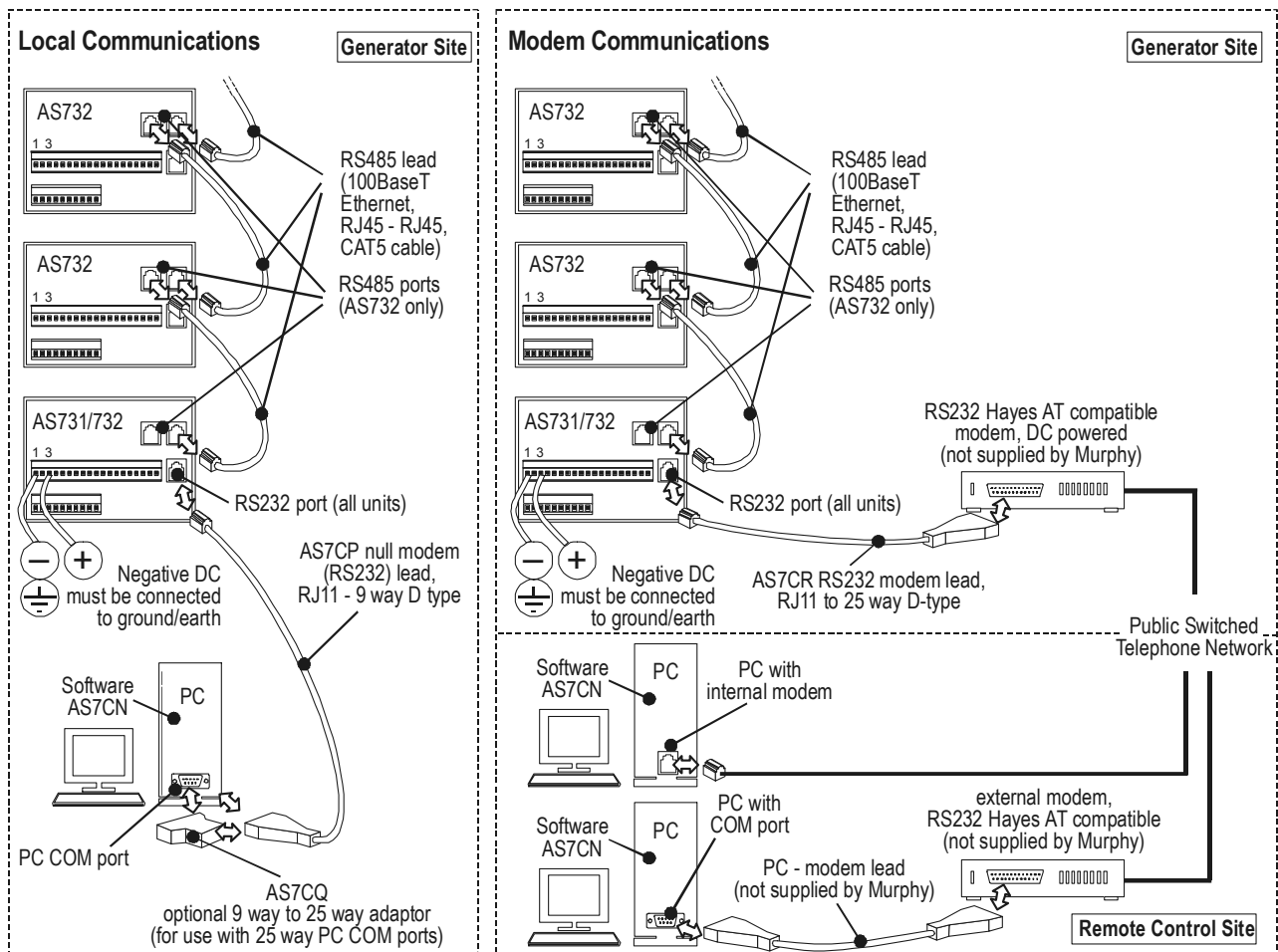
RS485 MODBUS communication

Model AS732 has two additional RJ45 connectors for RS485 communications, located at the top right of the rear facia (above the RS232 port).

Inter-module RS485 communication is by daisy chaining units using RJ45 terminated 100BaseT Ethernet leads (CAT5E cable is recommended). A network terminator module (supplied with each unit) should be inserted into any unused ports (on those units at either end of the RS485 network).

For full details about the connection and operation of the communication systems and PC software, please refer to document reference mi6131.

Communication networks



FWMurphy

PO Box 470248
Tulsa, Oklahoma 74147, USA
tel: +1 918 317 4100
fax: +1 918 317 4266
email: sales@fwmurphy.com
web: www.fwmurphy.com

CONTROL SYSTEMS AND SERVICES DIVISION
PO Box 1819, Rosenberg, Texas 77471, USA
tel: +1 281 342 0297
fax: +1 281 341 6006
email: sales@fwmurphy.com

MURPHY DE MEXICO S.A. DE C.V.
Blvd. Antonio Rocha Cordero 300, Fracción del Aguaje
San Luis Potosí, S.L.P. México 78384
tel: +52 444 8206264
fax: +52 444 8206336
Villahermosa office tel: +52 993 3162117
email: ventasmex@murphymex.com.mx
web: www.murphymex.com.mx

FRANK W. MURPHY LTD.
Church Rd, Laverstock, Salisbury, SP1 1QZ, UK
tel: +44 1722 410055
fax: +44 1722 410088
email: sales@fwmurphy.co.uk
web: www.fwmurphy.co.uk

MURPHY SWITCH OF CALIFORNIA
41343 12th Street West,
Palmdale, CA 93551-1442, USA
tel: +1 661 272 4700
fax: +1 661 947 7570
email: sales@murphyswitch.com
web: www.murphyswitch.com

MACQUARRIE CORPORATION
1620 Hume Highway,
Campbellfield, Victoria 3061, Australia
tel: +61 3 9358 5555
fax: +61 3 9358 5558
email: murphy@macquarrie.com.au



In order to consistently bring you the highest quality, full featured products, we reserve the right to change our specifications and designs at any time.