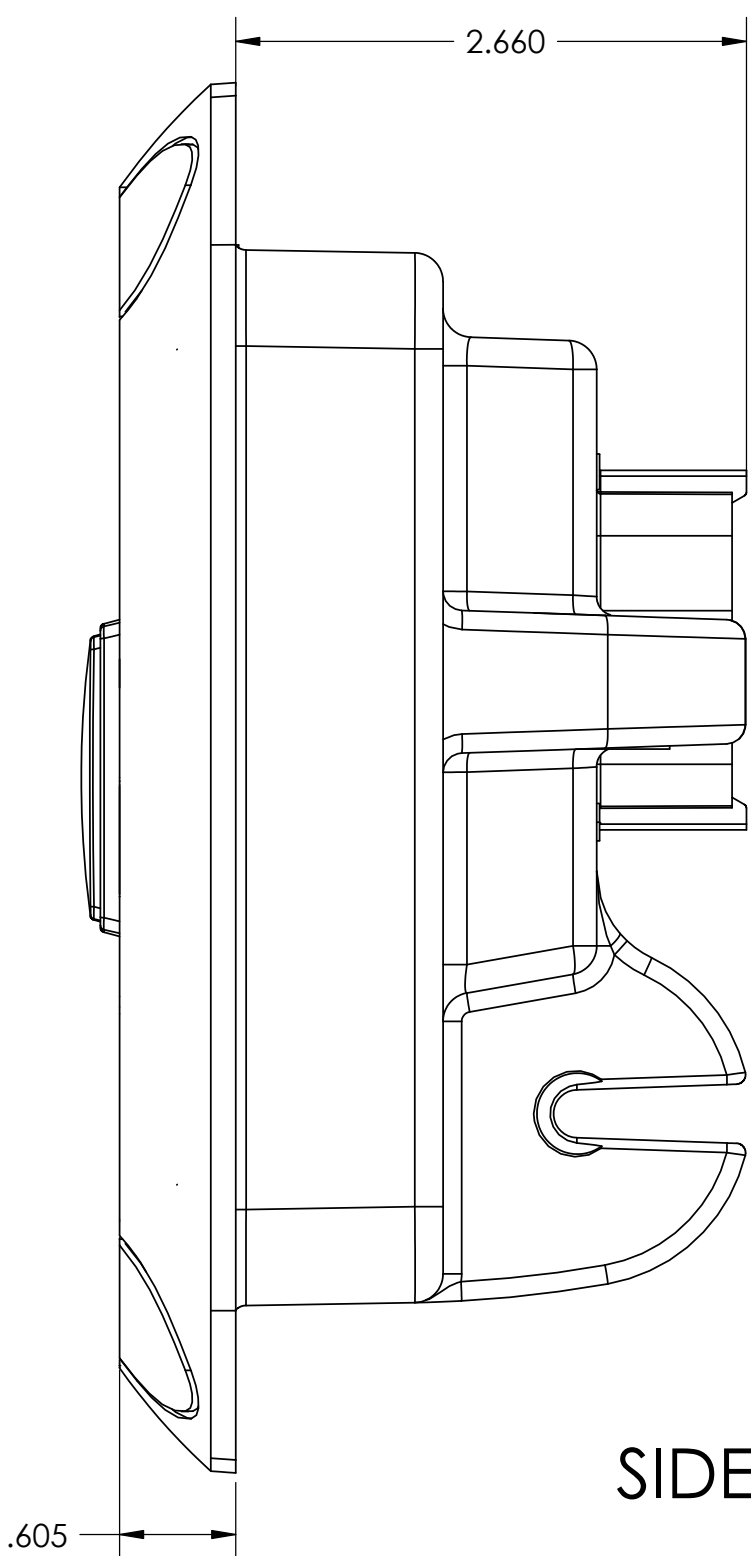
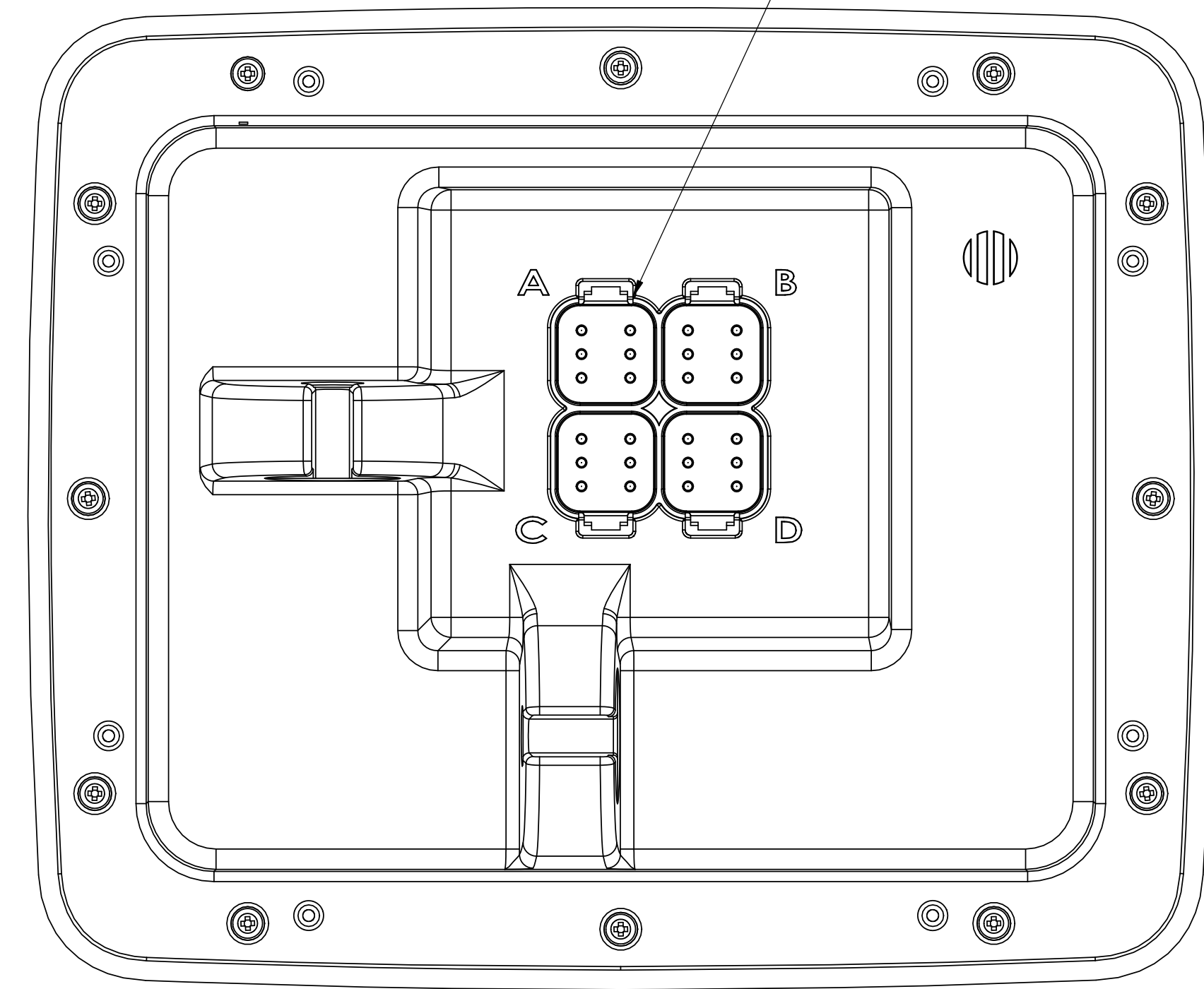


FRONT

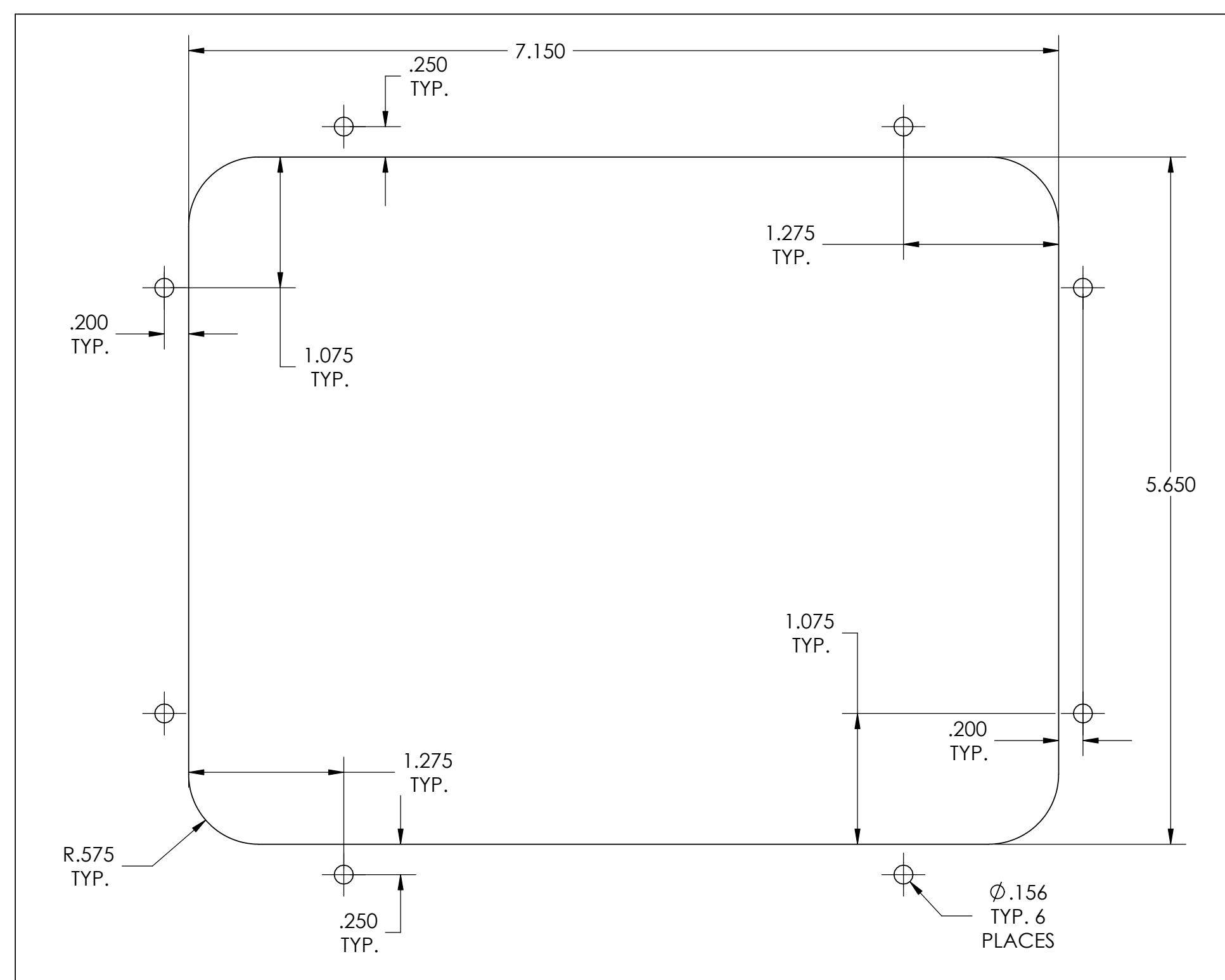


SIDE



PUSH ON TYPE
PLUG CONNECTOR
DEUTSCH DT06-6

BACK



MOUNTING HOLE CONFIGURATION
6-32 STAINLESS PANHEAD SCREWS,
LENGTH = PANEL THKNESS +0.125".

P1 PRELIMINARY DRAWING		DATE	ERNO	BY	CHK
REV.	CHANGES MADE	DATE: 08/11/05	SCALE: 1:1		
CONFIDENTIAL INFORMATION The information contained herein is proprietary, submitted in confidence, and shall not be disclosed used or duplicated whatsoever without the written permission of FW MURPHY UNLESS OTHERWISE SPECIFIED.		ORIG. ER#	CHKD BY:		
All dimensions are in inches. Tolerances: .XX ± .030 XXX ± .010 ANGLES ± 2°		DRWN BY: S.T.M.	APPD BY:		
FINISH	DWG. SIZE: D	MATERIAL	MODEL:	NAME	
			MURPHY		
			MARINE DISPLAY, PANEL MOUNTING		
DRAWING NO. MARINE DISPLAY				REV	P1