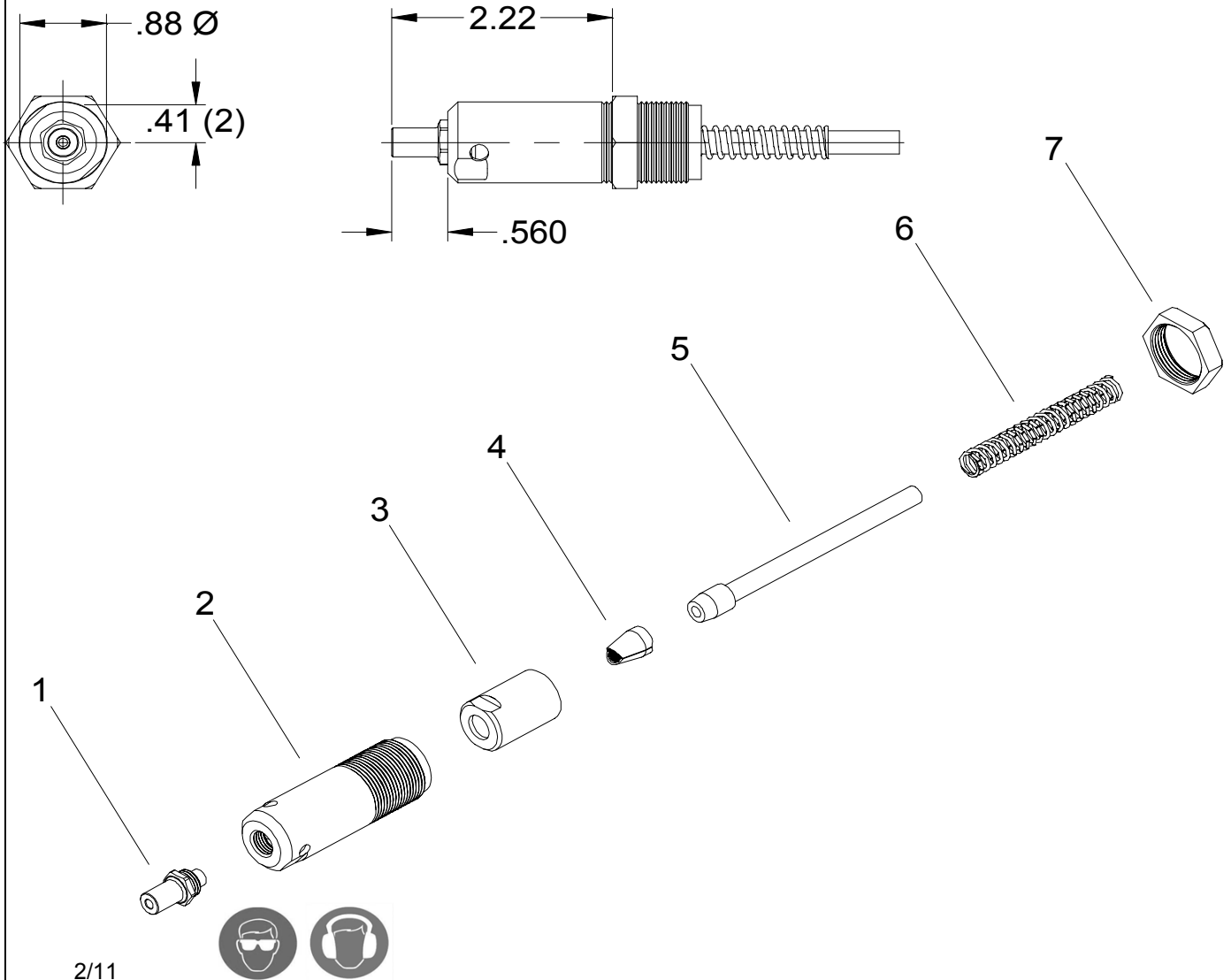


# NOSE ASSEMBLY DATA SHEET



2/11

**GAGE BILT**  
MADE IN U.S.A.

**GAGE BILT Inc.**

44766 Centre Court (586) 226-1500  
Clinton Twp. MI 48038 (586) 226-1505 Fax  
e-mail: solutions@gagebilt.com / www.gagebilt.com

| Type:                     |      | Fasteners:   |  | Recommended Tool: |  |
|---------------------------|------|--|--|-------------------|--|
| 3/16" Ø<br>Self-Releasing |      | N, Q & E, POP®, CLOSED END, AVEX®,<br>MAGNA-LOK®, MAGNA-BULB®, HEMLOK®,<br>BULB-TITE® (NON-SRUCTURAL) &<br>ULTRA-GRIP® COMMERCIAL RIVETS |  | GB703             |  |
| Ref. No.                  | Qty. | Description  |  | <b>6N1-743-20</b> |  |
| 1                         | 1    | Nose Tip   |  | 10204-1           |  |
| 2                         | 1    | Anvil Holder   |  | 10935-1           |  |
| 3                         | 1    | Collet   |  | 20836             |  |
| 4                         | 1    | Jaw Set  |  | 30537             |  |
| 5                         | 1    | Follower   |  | 40605             |  |
| 6                         | 1    | Spring   |  | 405371            |  |
| 7                         | 1    | Jam Nut  |  | 70820             |  |

POP® AND ULTRA-GRIP® ARE REGISTERED TRADEMARKS OF EMHART TECHNOLOGIES. AVEX® AND HEMLOK® ARE REGISTERED TRADEMARKS OF AVDEL UK LIMITED. MAGNA-LOK® AND MAGNA-BULB® ARE REGISTERED TRADEMARKS OF ALCOA INC. BULB-TITE® IS A REGISTERED TRADEMARK OF GESIPA FASTENERS USA, INC.