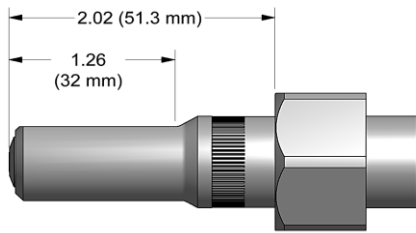
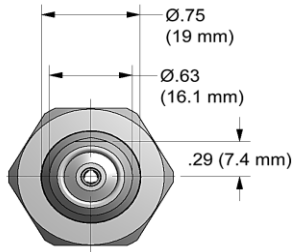
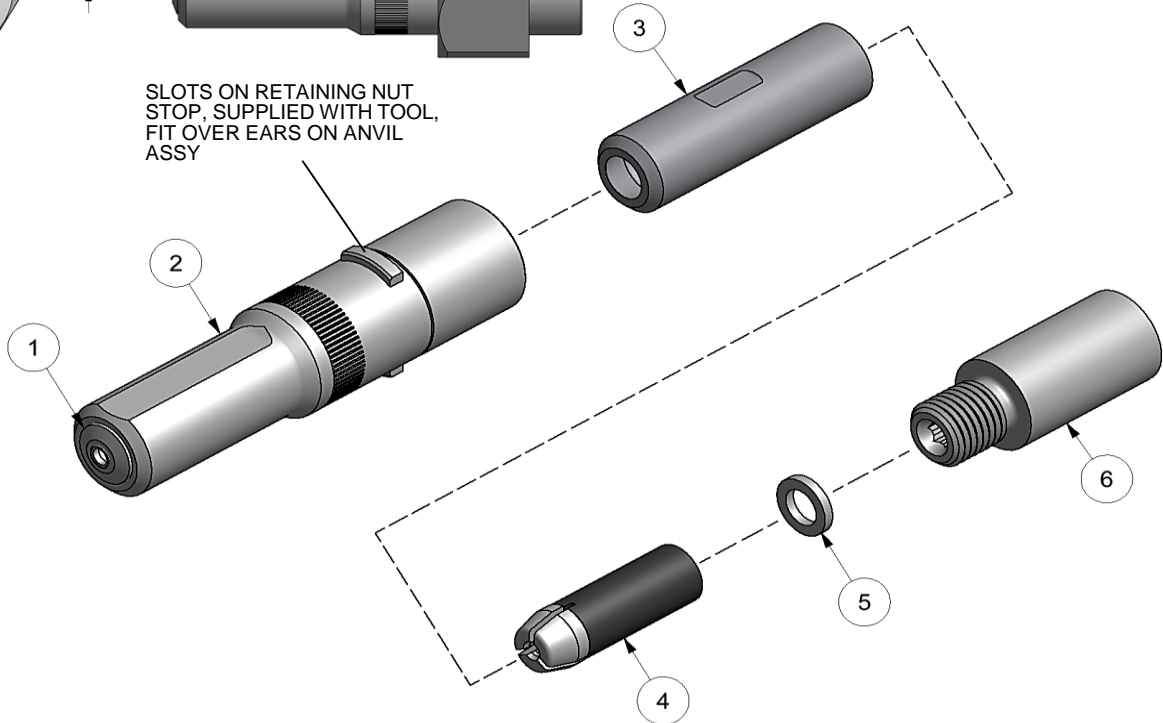


NOSE ASSEMBLY DATA SHEET



SLOTS ON RETAINING NUT STOP, SUPPLIED WITH TOOL, FIT OVER EARS ON ANVIL ASSY



Use Hex-Key in rear of piston for nose assembly attachment.

Use Hex-Key in rear of collet extension for collet disassembly.

1/12 REV 12/15

**Anvil Assembly consists of #1 and 35208 retainer.

GAGE BILT

GAGE BILT Inc.

44766 Centre Court (586) 226-1500
 Clinton Twp., MI 48038 (586) 226-1505 Fax
 e-mail:solutions@gagebilt.com / www.gagebilt.com

Type:		Fastener:	Recommended Tool:
Non Self-Releasing *5/32" Ø		NAS1398A/NAS1399A RV1000/RV1100 & RV1200 *3/16 Ø AF5075 / AF5076 / S149A020	GB752
			Alternate Tools: GB751 & GB2480(A)
Ref. No.	Qty.	Description	5A-752C-20
1	1	Anvil-Driving	15001
2	1	Anvil Assy (Inc. #1)	17761
3	1	Collet	20727
4	1	Super-Grip Jaw Assy	30545-CS
5	1	Spacer	70572
6	1	Collet Extension	70550