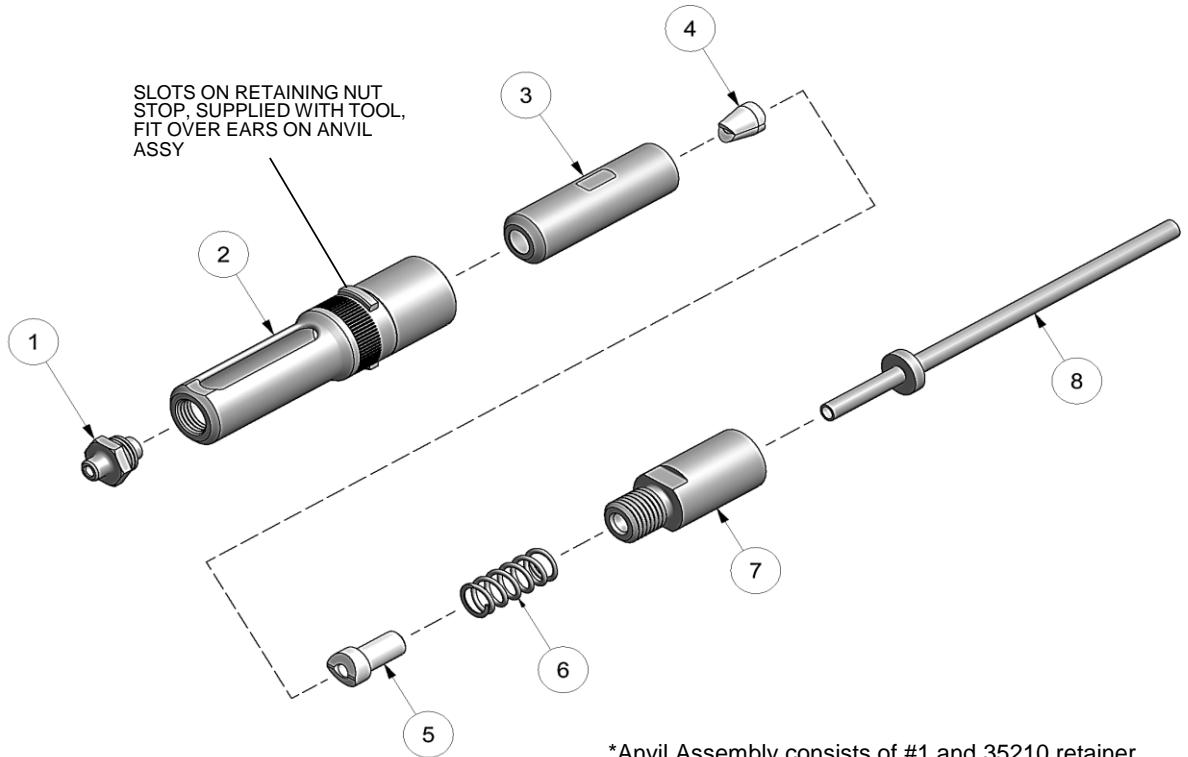
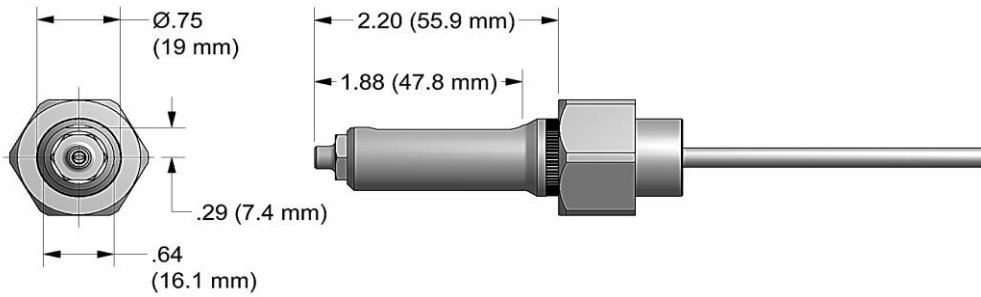


NOSE ASSEMBLY DATA SHEET



*Anvil Assembly consists of #1 and 35210 retainer.

8/02 Rev. 8/15



GAGE BILT

GAGE BILT Inc.

44766 Centre Court (586) 226-1500
 Clinton Twp., MI 48038 (586) 226-1505 Fax
 e-mail:solutions@gagebilt.com / www.gagebilt.com

Type:		Fastener:	Recommended Tool:
Self-Releasing 1/8", 5/32" & 3/16" Ø		Commercial Nail Rivet	GB751
			Alternate Tools: GB722 & GB2480(A)
Ref. No.	Qty.	Description	456N-751-23
1a	1	Nose Tip - 1/8"	10202
1b	1	Nose Tip - 5/32"	10203
1c	1	Nose Tip - 3/16"	10204
2	1	Anvil Holder	17796-2
3	1	Collet	20421
4	1	Jaw Set	30617
5	1	Follower	40442
6	1	Spring	50612
7	1	Extension-Collet	70550-1
8	1	Pintail Tube Assy	40443