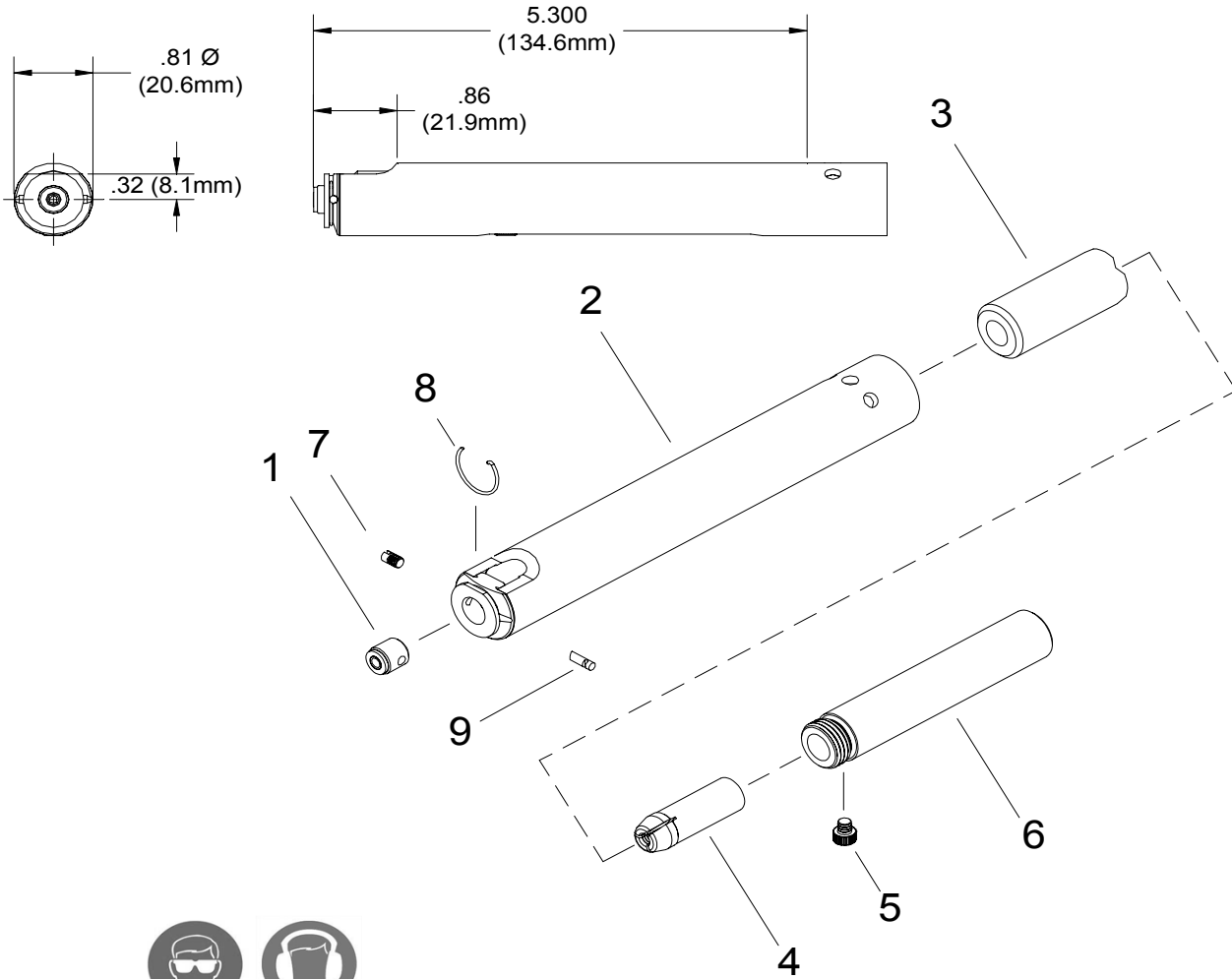


NOSE ASSEMBLY DATA SHEET



Rev. 8/10



GAGE BILT
MADE IN U.S.A.

GAGE BILT Inc.

44766 Centre Court (586) 226-1500
Clinton Twp. MI 48038 (586) 226-1505 Fax
e-mail: solutions@gagebilt.com / www.gagebilt.com

Type:		Fastener:		Recommended Tool: GB740
Single Action 3/16 & 1/4 Ø		Countersunk Head MS20600, Cherry® 9000 Huck® PT, SP & MS RV200 & RV500		
Ref. No.	Qty.	Description	6C- 740B-52	8C- 740B-52
1A	1	Anvil-Insert Universal	13387	13388
2	1	Anvil Holder	13351	13351
3	1	Collet	20330	20330
4	1	Super Grip Jaw Assembly	30656-CS	30864-CS
5	1	Screw	400046	400046
6	1	Drawbolt	70316	70316
7	1	Scew	15509	15509
8	1	Spring-Retaining	50313	50313
9	1	Ratchet Pin	15519	15519

CHERRY® IS A REGISTERED TRADEMARK OF CHERRY AEROSPACE FASTENERS. HUCK® IS A REGISTERED TRADEMARK OF ALCOA INC.