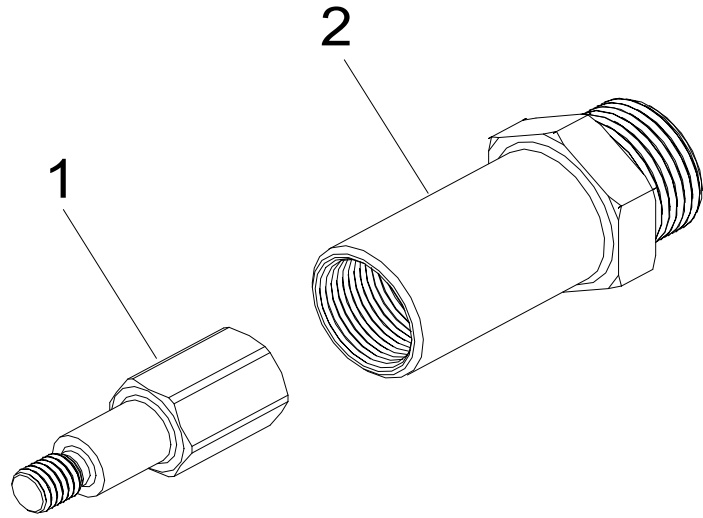
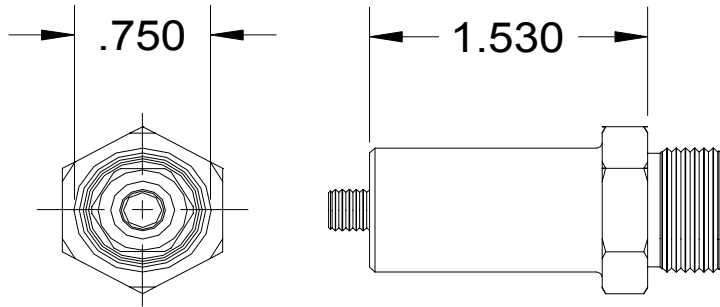


704001 ADAPTER DATA SHEET



Rev. 4/09

GAGE BILT

GAGE BILT Inc.

44766 Centre Court (586) 226-1500
 Clinton Twp., MI 48038 (586) 226-1505 Fax
 e-mail:solutions@gagebilt.com / www.gagebilt.com

Type:		Adapts GB715 series, Olympic & Allfast® group 1 scew-on nose assemblies including Ground Stud nose assemblies on GB704 series, Cherry® 704 series, Allfast RV15G and Huck® 2013 tools.	
Adapter			
Ref. No.	Qty.	Description	704001
1	1	Collet Adapter	70424
2	1	Anvil Adapter	70425

CHERRY® IS A REGISTERED TRADEMARK OF CHERRY AEROSPACE FASTENERS. HUCK® IS A REGISTERED TRADEMARK OF ALCOA INC. ALLFAST® IS A REGISTERED TRADEMARK OF ALLFAST FASTENING SYSTEMS, INC.