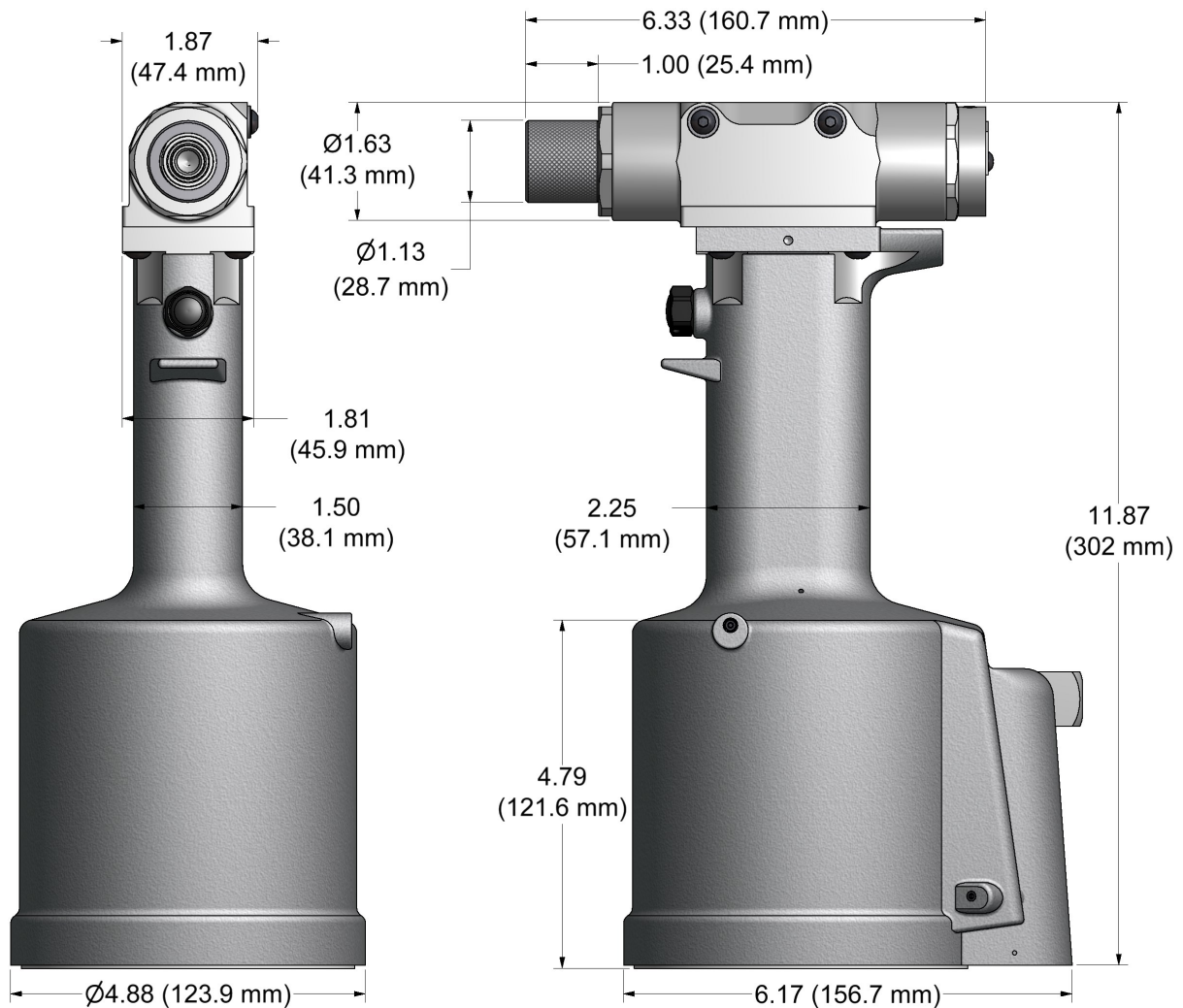


# GB784

## INSTALLATION TOOL



### DESCRIPTION

The GB784 is a pneumatic-hydraulic tool designed specifically for the efficient installation of 2000 series Cherrylock® rivets NAS1398, NAS1399, NAS1738 and NAS1739. The GB784 weighs only 8 lbs. (3.6 kg) and can be operated in any position with one hand. It has a .920" (23.37mm) rivet setting stroke and a rated pull load of 2650 lbs. (11.79 kN) with 90 psi. (6.9 bar) air pressure at the air inlet.

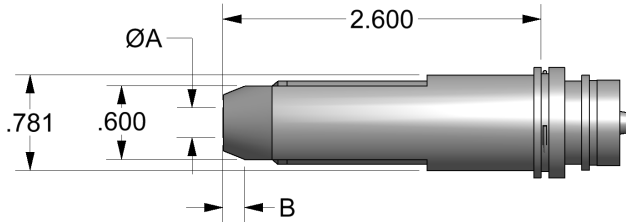
The GB784 riveter operates on 90 to 100 psi. (6.2-6.9 bar) of air pressure with 90 psi. (6.2 bar) providing the maximum efficiency.

**NOSE ASSEMBLIES ARE NOT FURNISHED WITH THE TOOL AND MUST BE ORDERED SEPARATELY.**

**ACCESSORIES**  
**(SOLD SEPARATELY)**

**NOSE ASSEMBLY SELECTION CHART**

**681 PULLING HEADS**  
**FOR 2000 SERIES CHERRYLOCK® RIVETS**  
**CONFORMING TO NAS 1400 & NAS 1740**



RIVET DIAMETER	NOSE ASSEMBLY	DIMENSION	
		A	B
3/32"	3U-681-25	.188	.348
3/32"	3C-681-25	.163	.332
1/8"	4U-681-25	.250	.341
1/8"	4C-681-25	.208	.377
5/32"	5U-681-25	.313	.377
5/32"	5C-681-25	.269	.352
3/16"	6U-681-25	.375	.418
3/16"	6C-681-25	.335	.386
1/4"	8U-681-25	.500	.452
1/4"	8C-681-25	.458	.398

GAGE BILT TOOL	STANDARD CHERRYLOCK® (NAS1398/99 & HS4464 & HS5413)							
	NOSE ASSEMBLY	RIVET DIAMETER	ALUMINUM		MONEL		STAINLESS	
			2163	2162	2563	2562	2643	2642
			UNIV. HEAD	CTSK. HEAD	UNIV. HEAD	CTSK. HEAD	UNIV. HEAD	CTSK. HEAD
GB784	XX-681-25	-4	ALL	ALL	ALL	ALL	ALL	ALL
		-5	8**	8**	8**	9**	8**	9**
		-6	8**	8**	8**	9**	8**	9**
		-8	8**	8**	8**	9**	-	-

GAGE BILT TOOL	BULBED CHERRYLOCK®					
	NOSE ASSEMBLY	RIVET DIAMETER	ALUMINUM		MONEL	
			2239	2238	2539	2538
			UNIV. HEAD	CTSK. HEAD	UNIV. HEAD	CTSK. HEAD
GB784	XX-681-25	-4	ALL *	ALL *	ALL *	ALL *
		-5	ALL *	ALL *	ALL *	ALL *
		-6	ALL *	ALL *	ALL **	ALL **

\*May require 95 PSI at tool.  
\*\*Indicates maximum grip

**GB784RK-1 Riveter Kit**  
*(Equivalent to G784CLRB)*



**GB784RK Riveter Kit**  
*(Equivalent to G784CLRA)*

