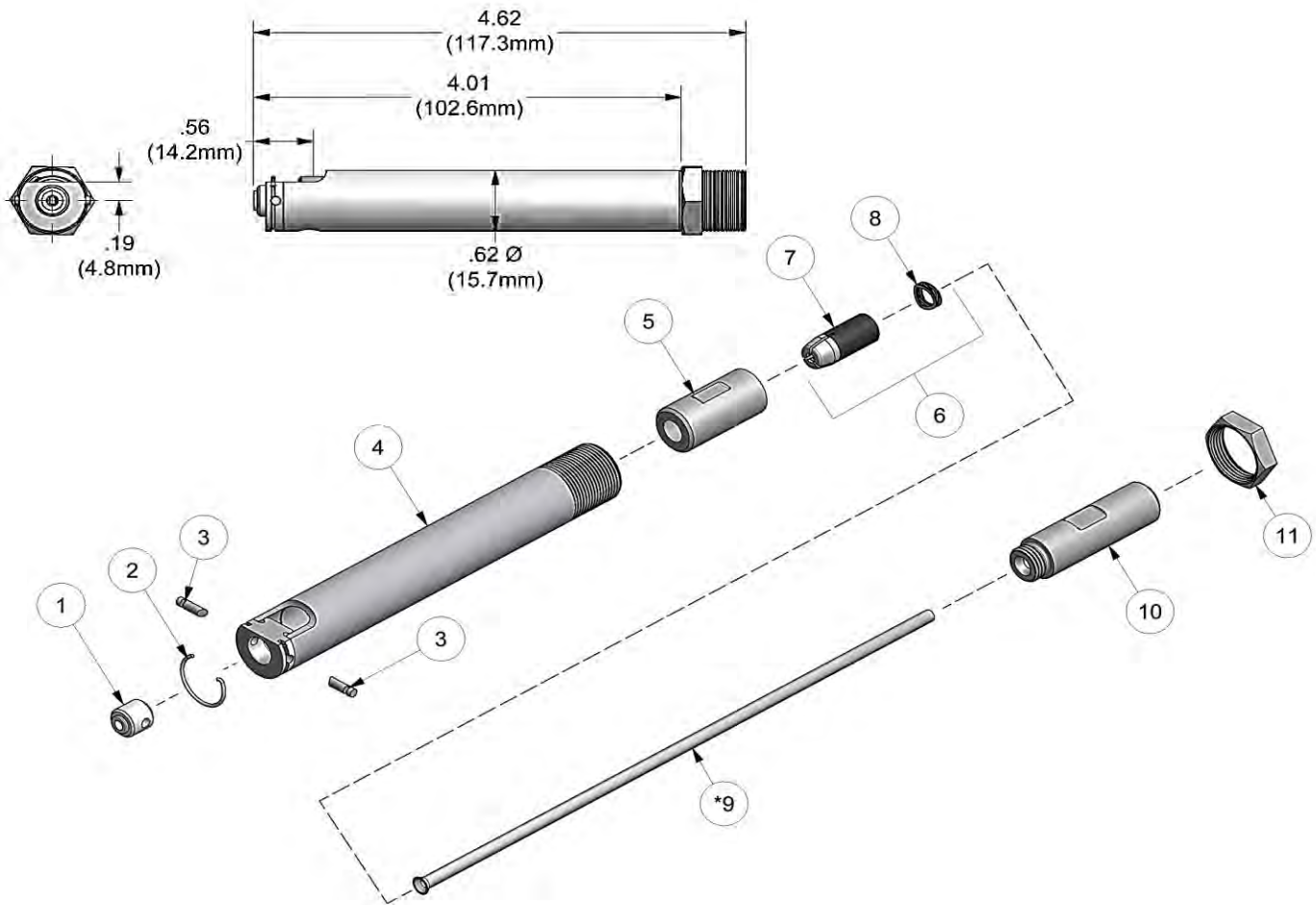


# NOSE ASSEMBLY DATA SHEET



\*Used for 3/32"  $\varnothing$  only. Pintail tube (9) must be inserted into drawbolt (10) before assembling nose. (See GB54B manual for instructions).

12/13 REV 11/15

**GAGE BILT**  
MADE in the USA

**GAGE BILT Inc.**

44766 Centre Court +1 (586) 226-1500  
Clinton Twp. MI 48038 USA +1 (586) 226-1505 Fax  
e-mail: solutions@gagebilt.com / www.gagebilt.com

Type: Single Action Non Self-Releasing	Fasteners: NAS1398A/1399A NAS1738A/1739A RV1000/1100 & 1200	Recommended Tool: GB54B
3/32" & 1/8" $\varnothing$		

Ref. No.	Qty.	Description	3A-54-43	4A-54-43
1	1	Anvil Insert	10303	10304
2	1	Spring-Ratchet Pin	50302	50302
3	2	Ratchet Pin	15504	15503
4	1	Anvil & Holder Assy	13499	13499
5	1	Collet	20332	20332
6	1	Jaw Assy (Inc. 7 & 8)	30314-A1	-----
7	1	Super Grip Jaw Assy	30314-S5	30418-S
8	1	Wave Spring	A-1513	-----
9	1	*Pintail Tube (3/32 $\varnothing$ Only. Shipped with Tool)	40326 (GB54B)	-----
9	1	*Pintail Tube (3/32 $\varnothing$ Only. Shipped with Tool)	40327 (GB55B)	-----
10	1	Drawbolt	70342	70342
11	1	Locknut	70411	70411