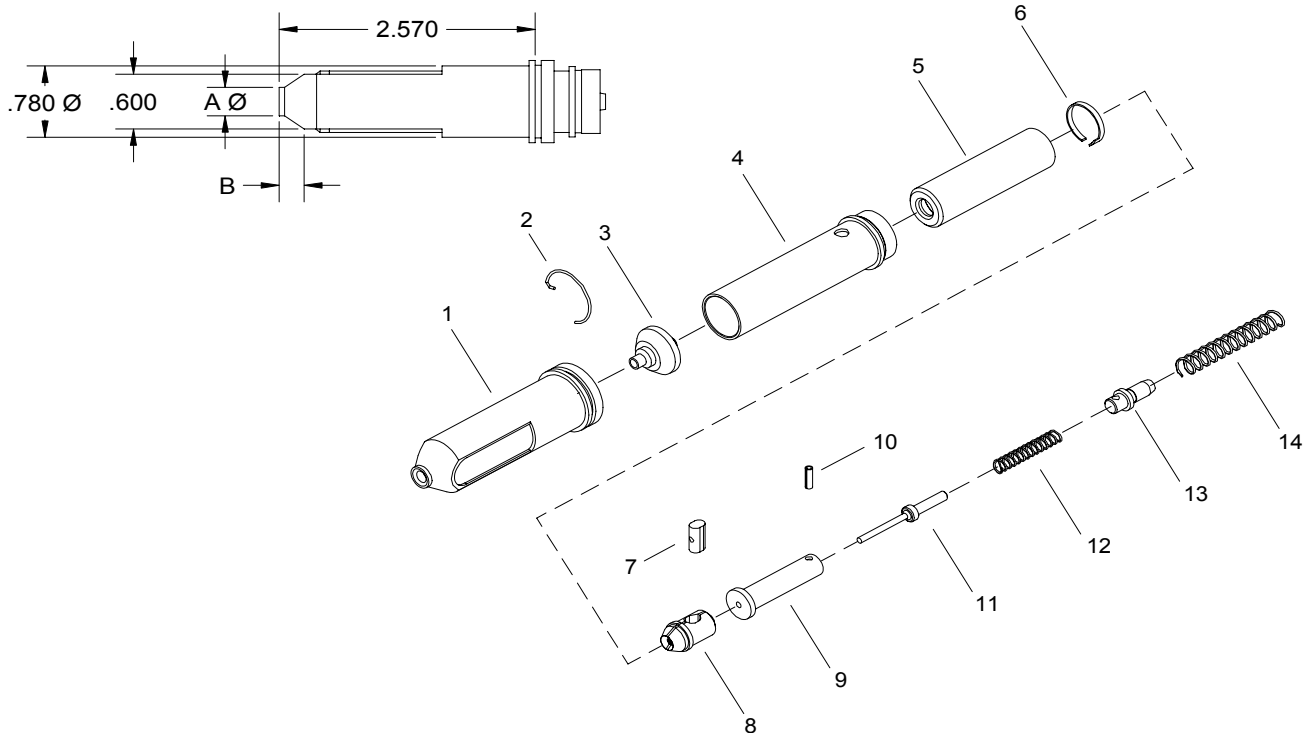


NOSE ASSEMBLY DATA SHEET



Countersunk nose assemblies may be used for installing both universal and countersunk rivets. Universal style nose assemblies are being obsoleted and countersunk nose assemblies will be shipped as an acceptable equivalent.

Rev. 4/08

GAGE BILT
MADE IN U.S.A.

GAGE BILT Inc.

44766 Centre Court (586) 226-1500
Clinton Twp. MI 48038 (586) 226-1505 Fax
e-mail:solutions@gagebilt.com / www.gagebilt.com

| Type: | | Fasteners: | | Recommended Tool: | | | |
|--|------|---|--------------|-------------------|--------------|--------------|--------------|
| Non Self-Releasing 3/32", 1/8", 5/32", 3/16" & 1/4" Ø | | CHERRYLOCK® | | GB784 | | | |
| Ref. No. | Qty. | Description | 3- 681-25 | 4- 681-25 | 5- 681-25 | 6- 681-25 | 8- 681-25 |
| 1A | 1 | "U" Outer Sleeve - Universal | 10339 | 10415 | 10527 | 10646 | 10864 |
| 1B | 1 | "C" Outer Sleeve - Countersunk (MS 20426) | 10341 | 10416 | 10528 | 10647 | 10865 |
| 1C | 1 | "US" Outer Sleeve - Uni-Sink | - | 10419 | 10531 | 10650 | - |
| 1D | 1 | "F" Outer Sleeve - Countersunk (156°) | - | 10417 | 10529 | 16696 | - |
| 1E | 1 | "S" Outer Sleeve - Countersunk (NAS 1097) | - | 10418 | 10530 | 10648 | 18883 |
| 2 | 1 | Retainer | 50501 | 50501 | 50501 | 50501 | 50501 |
| 3 | 1 | Anvil | 19301 | 19403 | 19504 | 19604 | 19802 |
| 4 | 1 | Tube | 40507 | 40507 | 40507 | 40507 | 40507 |
| 5 | 1 | Collet | 20512 | 20512 | 20512 | 20512 | 20512 |
| 6 | 1 | Collet Lock | 50502 | 50502 | 50502 | 50502 | 50502 |
| 7 | 1 | Stem Stop | 70313 | 70401 | 70510 | 70510 | 70510 |
| 8 | 1 | Jaws | 30306 | 30407 | 30512 | 30611 | 30812 |
| 9 | 1 | Pusher | 70402 | 70402 | 70403 | 70403 | 70403 |
| 10 | 1 | Roll Pin | 402130 | 402130 | 402130 | 402130 | 402130 |
| 11 | 1 | Ejector Pin | 70404 | 70405 | 70406 | 70406 | 70406 |
| 12 | 1 | Spring | 50503 | 50503 | 50504 | 50504 | 50504 |
| 13 | 1 | Stop | 70407 | 70407 | 70407 | 70407 | 70407 |
| 14 | 1 | Spring | 50506 | 50506 | 50506 | 50506 | 50506 |