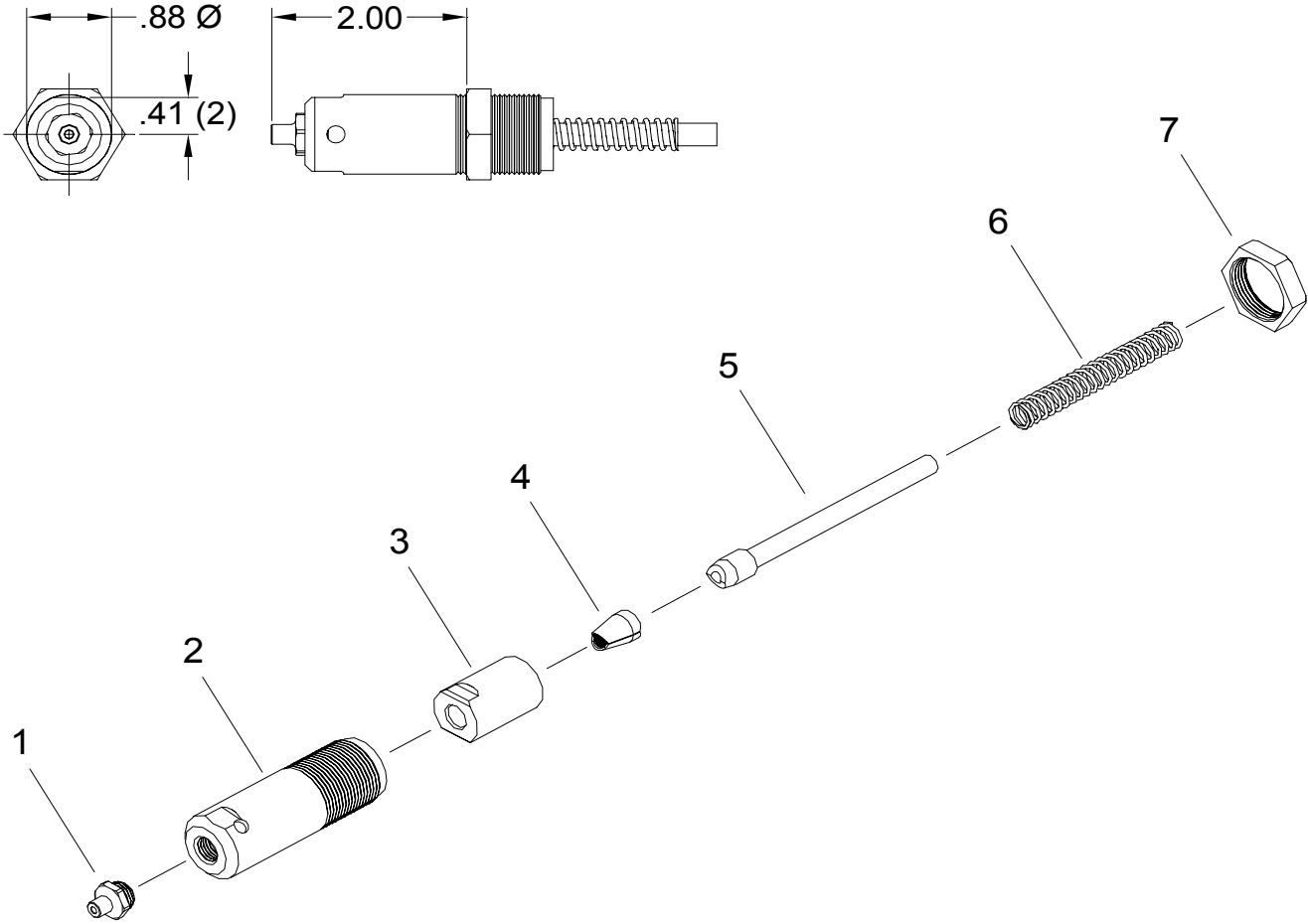


NOSE ASSEMBLY DATA SHEET



Rev. 5/06

GAGE BILT
MADE IN U.S.A.

GAGE BILT Inc.

44766 Centre Court (586) 226-1500
Clinton Twp. MI 48038 (586) 226-1505 Fax
e-mail:solutions@gagebilt.com / www.gagebilt.com

Type:		Fasteners:		Recommended Tool:	
Self-Releasing 1/8" Ø		STAINLESS STEEL N, Q & E, CLOSED END, AVEX® RIVETS		GB703	
Ref. No.	Qty.	Description		4SS-743-20	
1	1	Nose Tip		10202	
2	1	Anvil Holder		10935-1	
3	1	Collet		20836	
4	1	Jaw Set		30537	
5	1	Follower		40307	
6	1	Spring		405371	
7	1	Jam Nut		70820	

AVEX® IS A REGISTERED TRADEMARK OF AVDEL UK LIMITED.