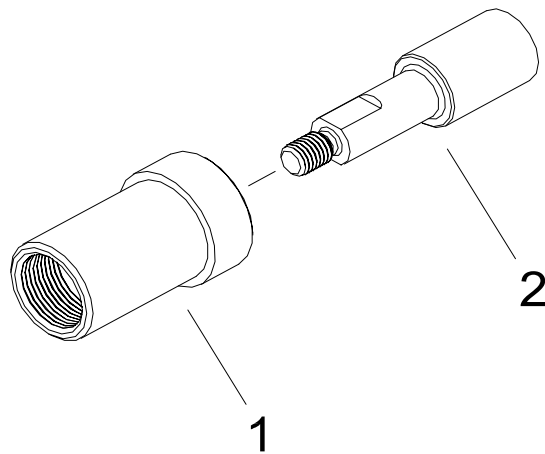
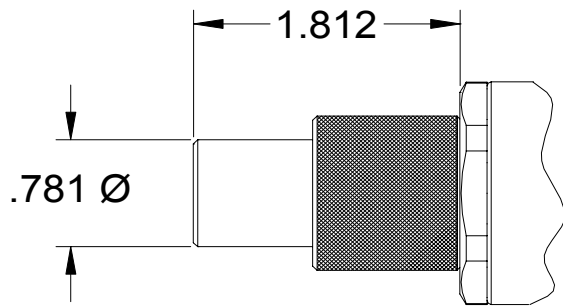


# 784715 ADAPTER DATA SHEET



Rev. 2/03

## GAGE BILT

### GAGE BILT Inc.

44766 Centre Court (586) 226-1500  
 Clinton Twp., MI 48038 (586) 226-1505 Fax  
 e-mail: solutions@gagebilt.com / www.gagebilt.com

Type:

Adapter

Adapts GB715 Series Nose Assemblies to:  
 GB784 Installation Tool

Ref. No.	Qty.	Description	784715
1	1	Anvil Adapter	704016
2	1	Collet Adapter	704017