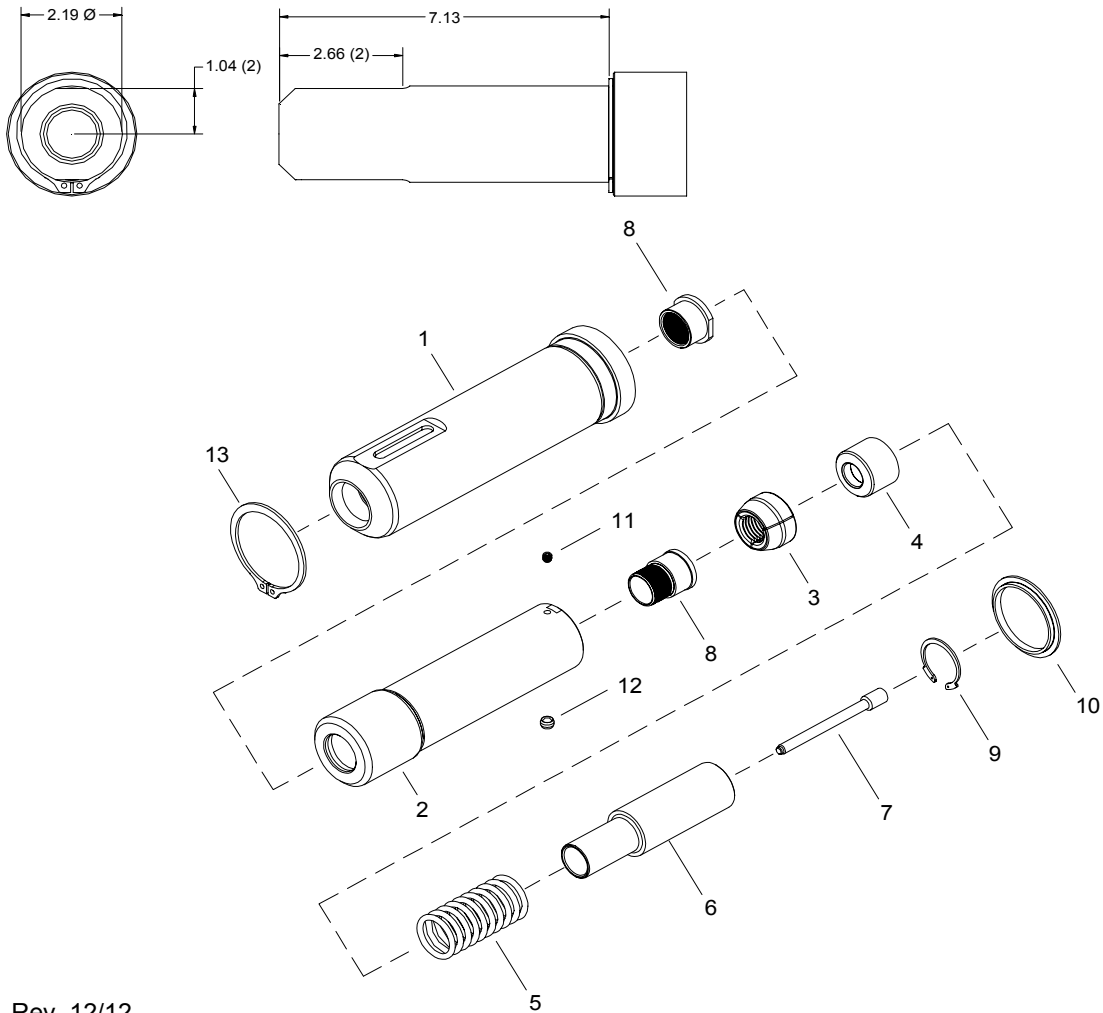


NOSE ASSEMBLY DATA SHEET



Rev. 12/12

GAGE BILT

GAGE BILT Inc.

44766 Centre Court (586) 226-1500
 Clinton Twp., MI 48038 (586) 226-1505 Fax
 e-mail: solutions@gagebilt.com / www.gagebilt.com

Type:		Fastener:	Recommended Tool:
Self-Releasing 3/4" Ø		C50L® Lockbolt	GB585
Ref. No.	Qty.	Description	24-585-70
1	1	Anvil	12413
2	1	Collet Assembly (Inc. 8, 9 & 10)	22411
3	1	Jaw Set	32401
4	1	Follower	42401
5	10	O'Ring	400846
6	1	Sleeve	62407
7	1	Pintail Ejector	52004
8	1	Release & Ejector Kit	82400
9	1	Retaining Ring	402263
10	1	Sleeve-Collet Lock	62402
11	1	Socket Set Srew	A-280
12	1	Collet Lock Assembly	54502
13	1	Retaining Ring	401027