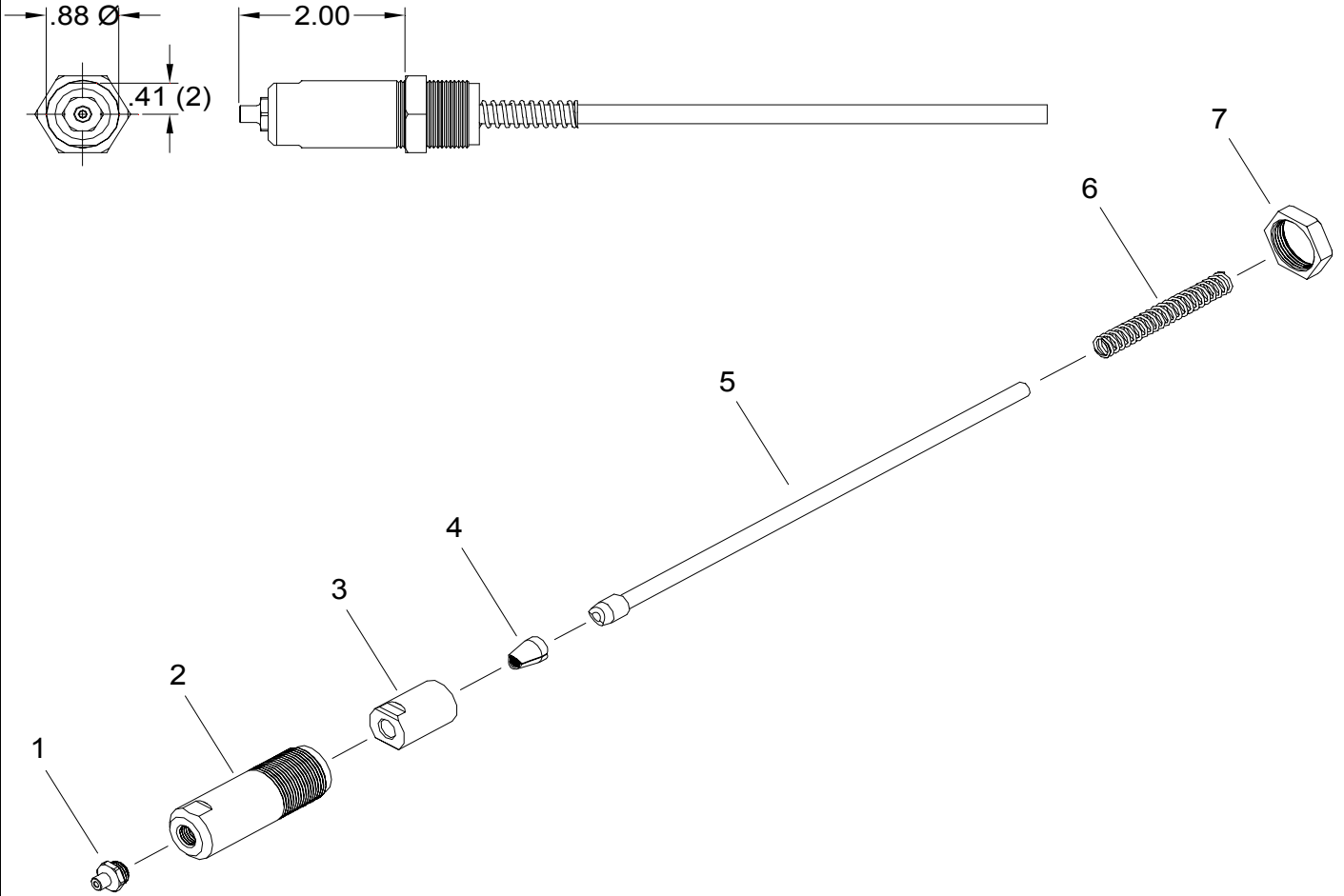


# NOSE ASSEMBLY DATA SHEET



5/06 Rev. 11/07



**GAGE BILT**  
MADE IN U.S.A.

**GAGE BILT Inc.**

44766 Centre Court (586) 226-1500  
Clinton Twp. MI 48038 (586) 226-1505 Fax  
e-mail: solutions@gagebilt.com / www.gagebilt.com

Type:		Fasteners:		Recommended Tool:
Self-Releasing 1/8" $\varnothing$		STAINLESS STEEL N, Q & E, CLOSED END, AVEX® RIVETS		
Ref. No.	Qty.	Description		<b>4SS-743-20V</b>
1	1	Nose Tip		10202
2	1	Anvil Holder		10935
3	1	Collet		20836
4	1	Jaw Set		30537
5	1	Follower		703421
6	1	Spring		405371
7	1	Jam Nut		70820