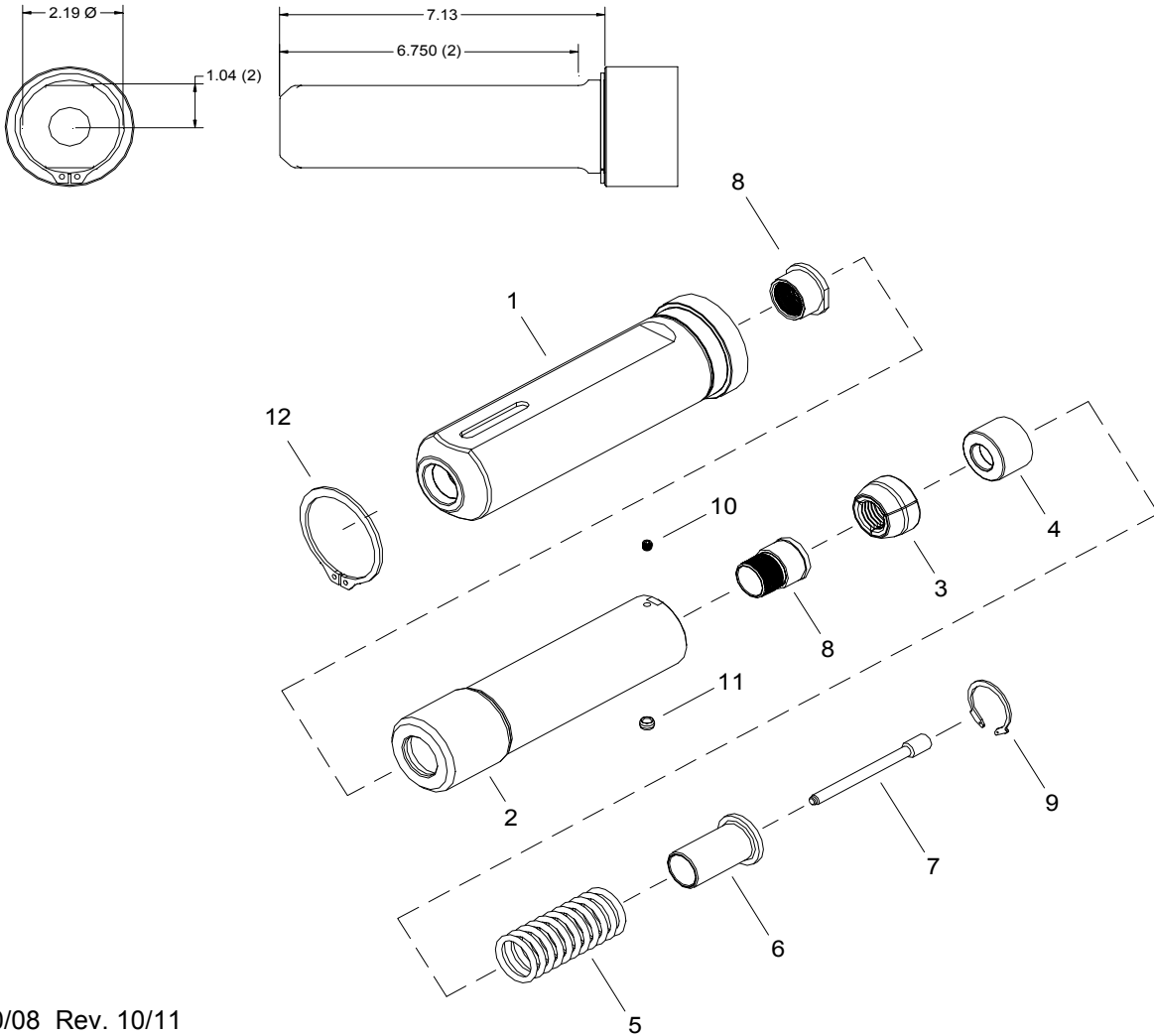


NOSE ASSEMBLY DATA SHEET



10/08 Rev. 10/11

GAGE BILT

GAGE BILT Inc.

44766 Centre Court (586) 226-1500
 Clinton Twp., MI 48038 (586) 226-1505 Fax
 e-mail:solutions@gagebilt.com / www.gagebilt.com

Type:		Fastener:	Recommended Tool:
Self-Releasing 5/8" Ø		C50L® Lockbolt	GB585
Ref. No.	Qty.	Description	20-585-70
1	1	Anvil	12010
2	1	Collet Assembly (Inc. 8, 10 & 11)	22010
3	1	Jaw Set	32001
4	1	Follower	42003
5	11	O'Ring	400846
6	1	Sleeve	62005
7	1	Pintail Ejector	52004
8	1	Release & Ejector Kit	82000
9	1	Retaining Ring	402263
10	1	Socket Set Screw	A-280
11	1	Collet Lock Assembly	54502
12	1	Retaining Ring	401027