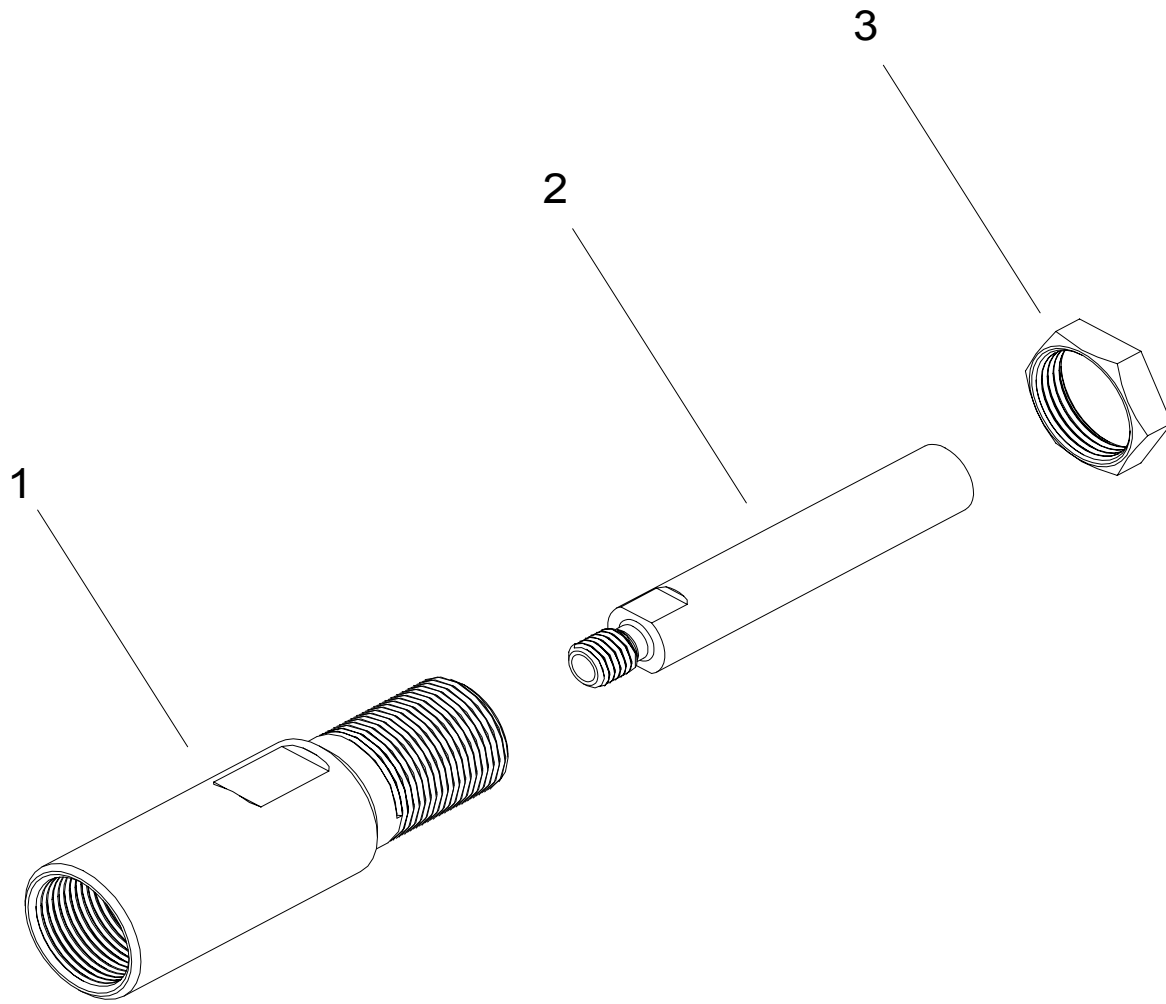


715002 EXTENSION DATA SHEET



12/97 REV. 2/11

GAGE BILT

GAGE BILT Inc.

44766 Centre Court (586) 226-1500
 Clinton Twp., MI 48038 (586) 226-1505 Fax
 e-mail:solutions@gagebilt.com / www.gagebilt.com

Type:		Recommended Tool: GB715	
Extension		Alt. Tools: GB50 & GB51	
Ref. No.	Qty.	Description	715002
1	1	Extension Sleeve	715010
2	1	Extension Spindle	715011
3	1	Locknut	70411