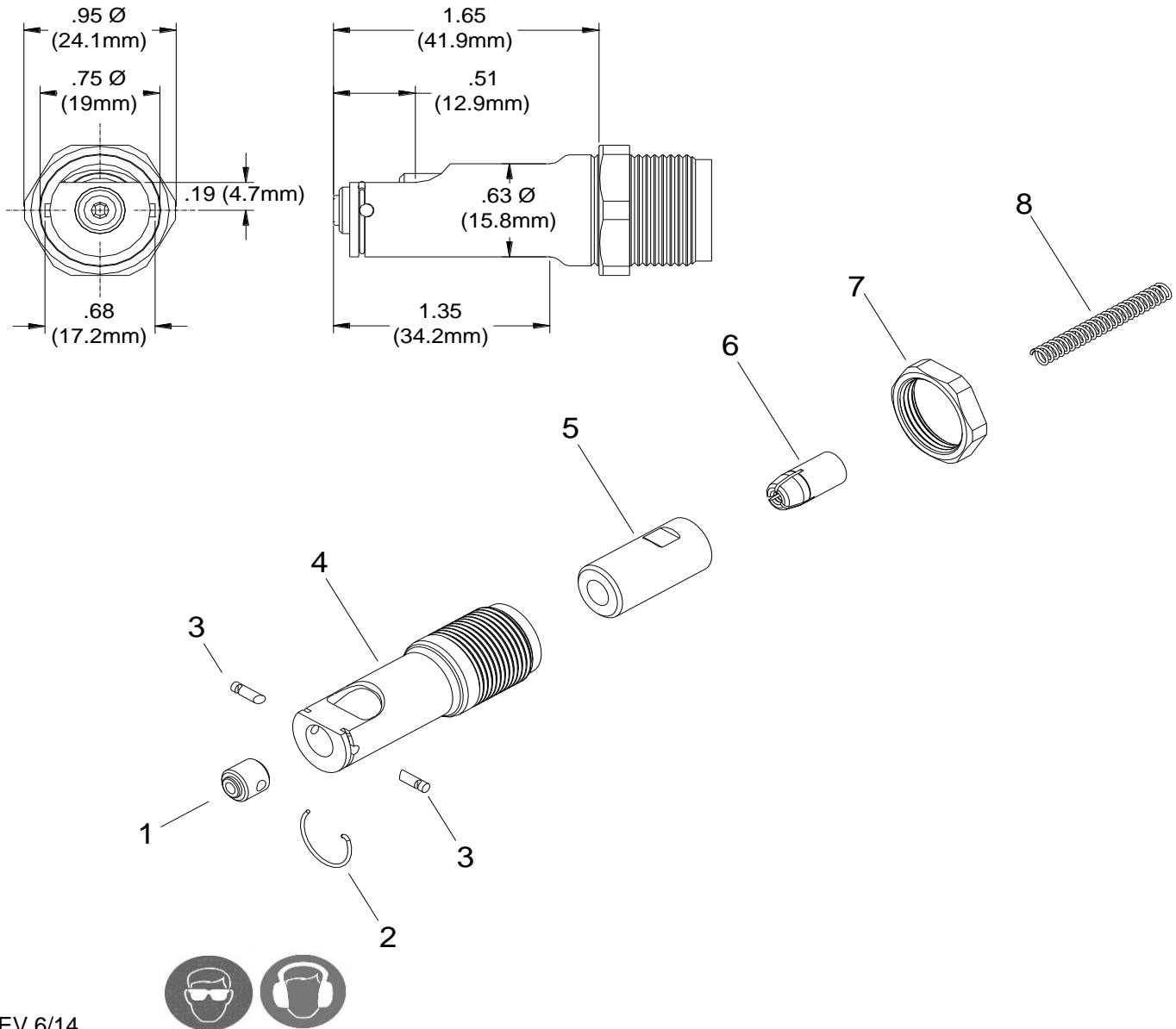


NOSE ASSEMBLY DATA SHEET



REV 6/14

GAGE BILT
MADE IN U.S.A.

GAGE BILT Inc.

44766 Centre Court (586) 226-1500
Clinton Twp. MI 48038 (586) 226-1505 Fax
e-mail: solutions@gagebilt.com / www.gagebilt.com

Type:
Single Action
Non Self-Releasing

Fasteners:
NUT PLATE RIVETS
MS20600 SERIES
CCR224/264/274
MS/9SP/PT
BACR15CC/CF/DA/DR

Recommended Tool:
GB704

3/32", 1/8", 5/32" & 3/16" Ø

Ref. No.	Qty.	Description	3C-704A-16	4C-704A-16	5C-704A-16	6C-704A-16
1	1	Anvil Insert	10383	10384	10385	10386
2	1	Ratchet Pin Spring	50302	50302	50302	50302
3	2	Ratchet Pin	15504	15503	15501	15501
4	1	Anvil Holder	13461	13461	13461	13461
5	1	Collet	20334	20334	20334	20334
6	1	Super Grip Jaw Assy	30314-S10	30418-S2	30529-S1	30633-S3
7	1	Nut	70104	70104	70104	70104
8	1	Spring	70109	70109	A-1495	A-1495