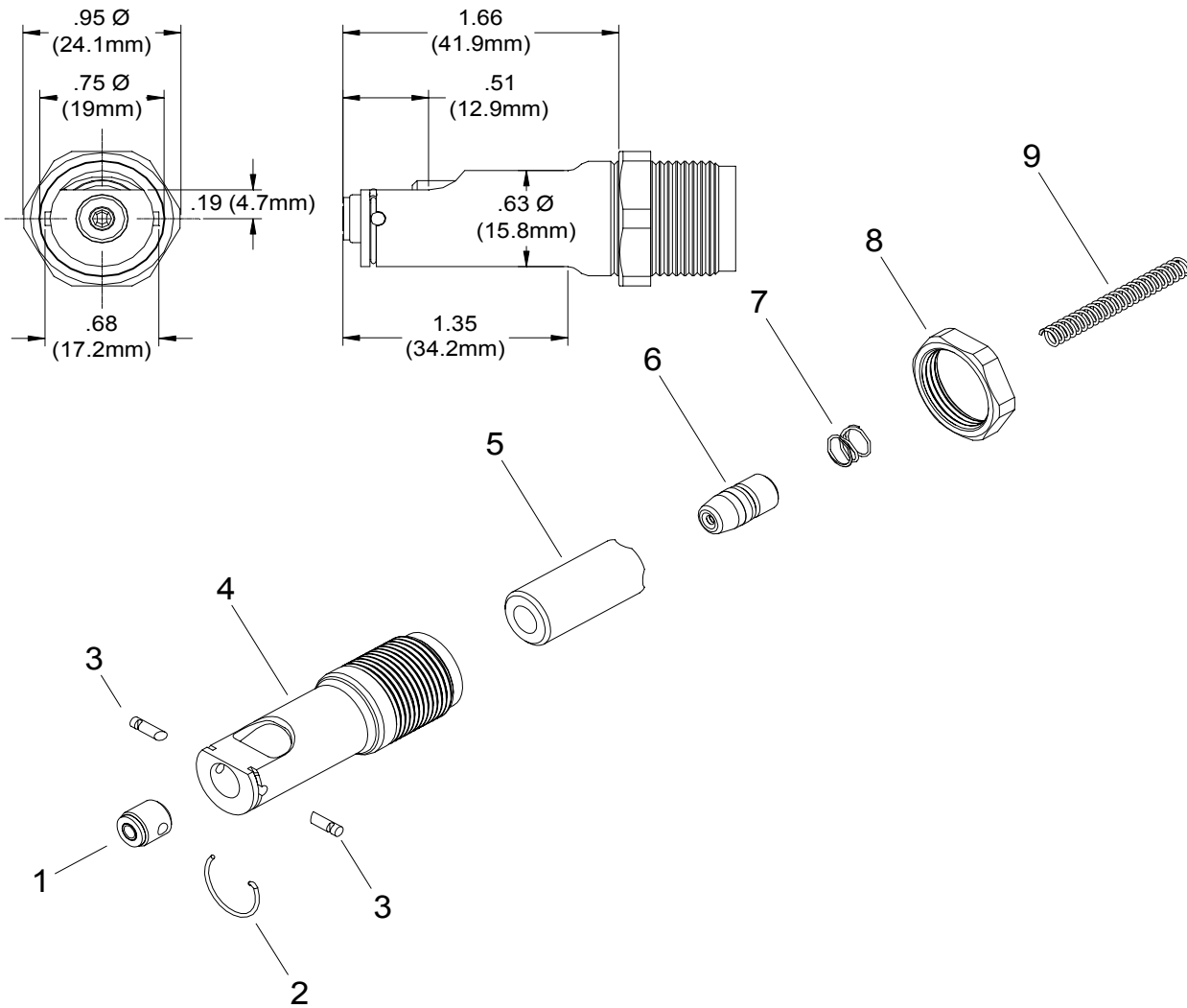


# NOSE ASSEMBLY DATA SHEET



5/12 Rev. 11/13

**GAGE BILT**  
MADE IN U.S.A.

**GAGE BILT Inc.**

44766 Centre Court (586) 226-1500  
Clinton Twp. MI 48038 (586) 226-1505 Fax  
e-mail: solutions@gagebilt.com / www.gagebilt.com

Type:  
Single Action  
Non Self-Releasing

Fasteners:  
NAS1398A/1399A  
NAS1738A/1739A  
RV1000/1100 & 1200

Recommended Tool:  
GB704

3/32", 1/8", 5/32" & 3/16" Ø

Ref. No.	Qty.	Description	3A-704-16	4A-704-16	5A-704-16	6A-704-16
1	1	Anvil Insert	10303	10304	10305	10306
2	1	Ratchet Pin Spring	50302	50302	50302	50302
3	2	Ratchet Pin	15504	15503	15501	15501
4	1	Anvil Holder	13461	13461	13461	13461
5	1	Collet	20331	20331	20331	20331
6	1	Jaw Assy	30301-M6	30418-S2	30529-S1	30633-S1
7	1	Spring	50306	----	----	----
8	1	Nut	70104	70104	70104	70104
9	1	Spring	70109	70109	A-1495	A-1495