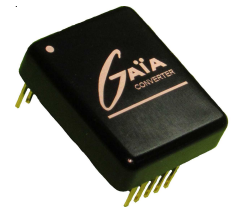




Hi-Rel DC/DC CONVERTER MGDD-08 : 8W POWER

Hi-Rel
Grade ■■

8:1 Ultra Wide Input Dual Outputs Metallic Case - 1 500 VDC Isolation



4

- Ultra wide input range 4,5-33 VDC & 9-60 VDC
- Nominal power up to 8 W
- Maximum power per channel up to 6,8W
- Nominal dual output voltage from 3,3V to 48V
- High efficiency over the entire range (typ. 89%)
- Soft start
- Galvanic isolation 1.500 VDC
- Integrated LC input filter
- Permanent short circuit protection
- External synchronisation
- External trim adjustment : -20/+10%
- No optocoupler for high reliability
- RoHS process

1-General

The MGDD-08 ultra wide input series designates a full family of DC/DC power modules with a permanent ultra wide input voltage range of 4,5-33 volts and 9-60 volts. The family is designed for use in distributed power architecture where variable input voltage and transient are prevalent making them ideal particularly for avionics and military applications.

The MGDD-08 series is compliant with DO-160 and MIL-STD-704 transient voltage without additional voltage limiter.

The serie includes dual output voltage choices individually isolated of 2 x 3,3 volts , 2 x 5 volts , 2 x 12 volts, 2 x 15 volts and 2 x 24 volts with easy combination. The total power is 8W with one single channel able to provide up to 6,8W.

All the modules are designed with LC network filter to minimize reflected input current ripple. The modules include a soft-start, an input undervoltage lock-out, a permanent short circuit and overload protection and an output overvoltage limitation to ensure efficient module protections. The soft-start allows current limitation and eliminates inrush current during start-up. The short circuit protection completely protects the modules against short-circuits of any duration by a shut-down and restores to normal when the overload is removed.

The modules are potted with a bi-component thermal conductive compound to ensure optimum power dissipation under harsh environmental conditions.

2-Product Selection

Dual output model : MGDD - 08 - - /

Input Voltage Range	
Permanent	Transient
N : 9-60 VDC	80 VDC / 1 s
E : 4.5-33 VDC	45 VDC / 0.1 s

Output
B : 2 x 3,3 VDC
C : 2 x 5 VDC
E : 2 x 12 VDC
F : 2 x 15 VDC
I : 2 x 24 VDC

Options :

- /T : option for -55°C start up operating temperature
- /S : option for screening and serialization

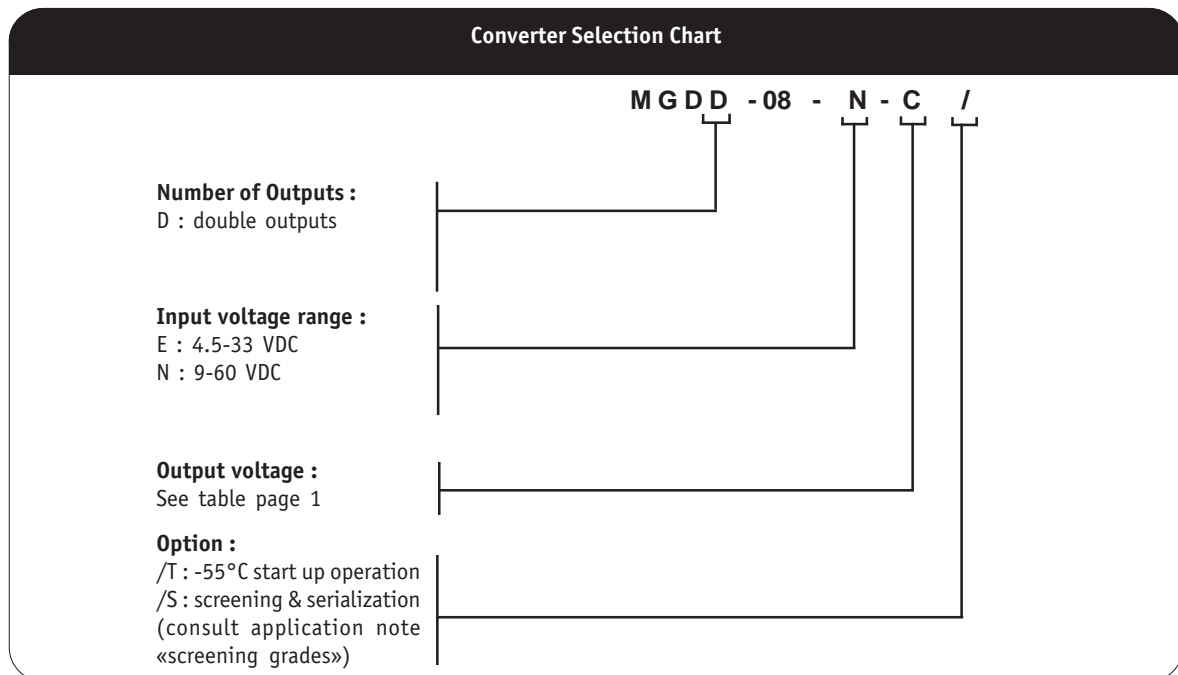
2- Product Selection (continued)

Input range	Output	Current per Output	Reference	Options
4.5-33 VDC	2 x 3,3 VDC	0,8 A	MGDD-08-E-B	/T, /S
4.5-33 VDC	2 x 5 VDC	0,8 A	MGDD-08-E-C	/T, /S
4.5-33 VDC	2 x 12 VDC	0,33 A	MGDD-08-E-E	/T, /S
4.5-33 VDC	2 x 15 VDC	0,26 A	MGDD-08-E-F	/T, /S
4.5-33 VDC	2 x 24 VDC	0,16 A	MGDD-08-E-I	/T, /S
9-60 VDC	2 x 3,3 VDC	0,8 A	MGDD-08-N-B	/T, /S
9-60 VDC	2 x 5 VDC	0,8 A	MGDD-08-N-C	/T, /S
9-60 VDC	2 x 12 VDC	0,33 A	MGDD-08-N-E	/T, /S
9-60 VDC	2 x 15 VDC	0,26 A	MGDD-08-N-F	/T, /S
9-60 VDC	2 x 24 VDC	0,16 A	MGDD-08-N-I	/T, /S

Using various parallel or series connections of outputs, and the 80/110% trim capability (100/110% for 3,3 V output), allows to cover almost the complete range of output voltages from 3,3V to 52V as shown in the table below.

Reference	Parallel Connection	Series Connection	Symmetrical Connection
MGDD-08-E-B	3,3 - 3,6 VDC	6,6 - 7,3 VDC	+/-3,3 - +/-3,6 VDC
MGDD-08-E-C	4 - 5,5 VDC	8 - 11 VDC	+/-4 - +/-5,5 VDC
MGDD-08-E-E	9,6 - 13,2 VDC	19,2 - 26,4 VDC	+/-9,6 - +/-13,2 VDC
MGDD-08-E-F	12 - 16,5 VDC	24 - 33 VDC	+/-12 - +/-16,5 VDC
MGDD-08-E-I	19,2 - 26,4 VDC	38,4 - 52,8 VDC	+/-19,2 - +/-26,4 VDC
MGDD-08-N-B	3,3 - 3,6 VDC	6,6 - 7,3 VDC	+/-3,3 - +/-3,6 VDC
MGDD-08-N-C	4 - 5,5 VDC	8 - 11 VDC	+/-4 - +/-5,5 VDC
MGDD-08-N-E	9,6 - 13,2 VDC	19,2 - 26,4 VDC	+/-9,6 - +/-13,2 VDC
MGDD-08-N-F	12 - 16,5 VDC	24 - 33 VDC	+/-12 - +/-16,5 VDC
MGDD-08-N-I	19,2 - 26,4 VDC	38,4 - 52,8 VDC	+/-19,2 - +/-26,4 VDC

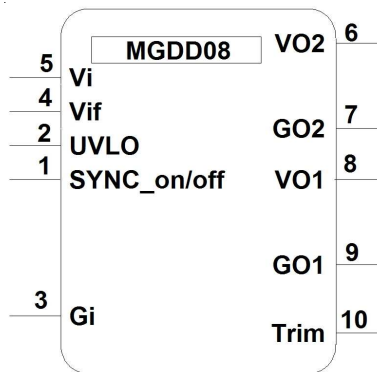
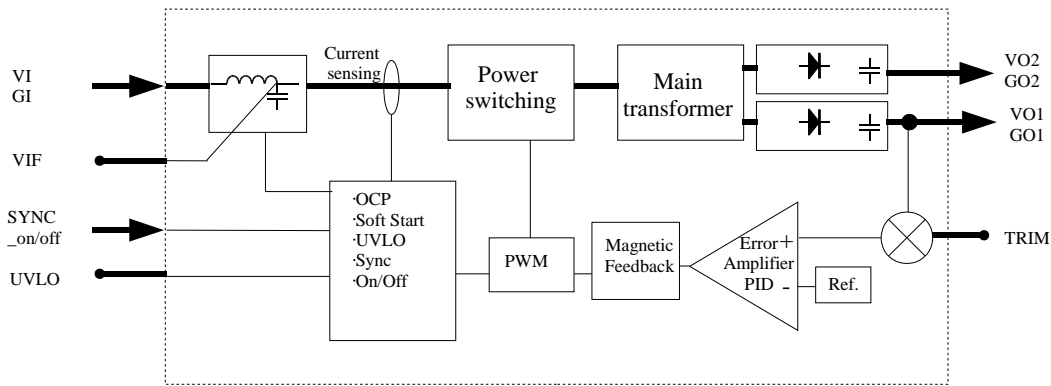
4



3- Block Diagram and Pin Description

The MGDD-08 is based on a new generation platform with a new topology allowing ultra wide input range up to 4,5-33 VDC and 9 to 60 VDC input voltage. The double output combined to the trim function allows multiple combinations to achieves most of the

common voltages i.e 3,3V-5V-9V-10V-12V-15V-24V-28V-30V-32V-48V-52V, and more over. The MGDD-08 module block diagram and pin description are presented herafter.



Pin Description :

UVLO : this pin allows to user to increase the UVLO (Under voltage Lock out) threshold value, in order to stop converter operation when input voltage reaches a given value.

GI : Input bus return lead.

VIF : This pin gives direct access to input filter capacitor that helps for EMI purpose.

VI : Input bus lead.

SYNC_On/Off : this pin is an input pin that allows user to synchronize to an external signal. See chapter synchronization for sync signal application. Connecting this pin to GI acts as an on/off function, that stops converter operation.

GO2 : return terminal of output number 2.

VO2 : output number 2 terminal.

GO1 : return terminal of output number 1.

VO1 : output number 1 terminal. The output number one is considered as the main output, and must be mandatory loaded.

TRIM : Voltage trimming input : using simple resistor connected between this pin and Vo1 or Go1 allow user to trim ouput voltage in the range -20/+10%.

4- Electrical Specifications

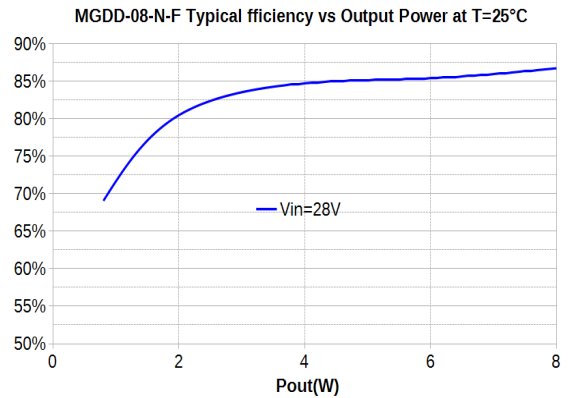
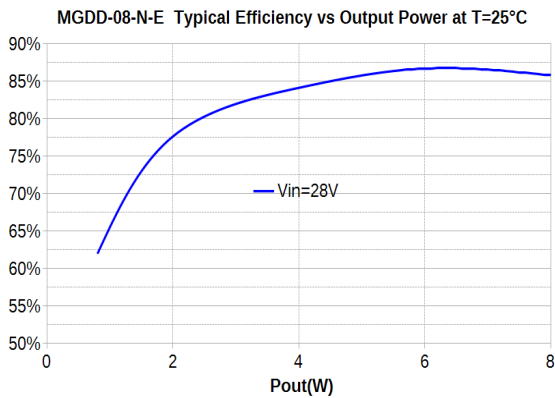
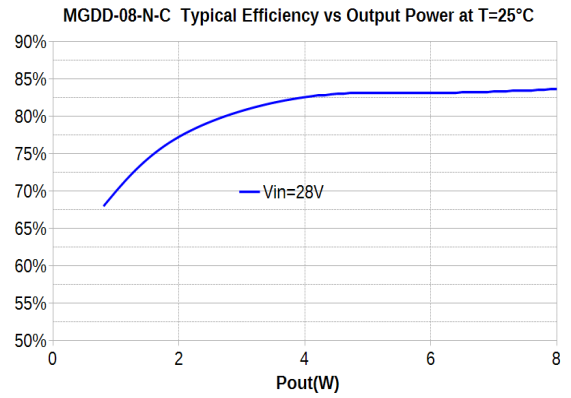
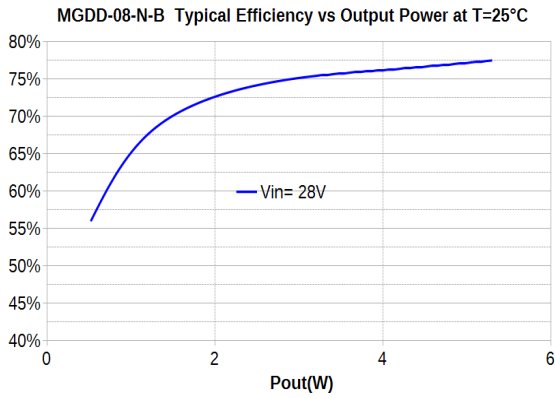
Data are valid at +25°C, unless otherwise specified.

Parameter	Conditions	Limit or typical	Units	Dual Outputs	
				MGDD-08 - E	MGDD-08 - N
Input					
Nominal input voltage	Full temperature range	Nominal	VDC	12	28
Permanent input voltage range (Ui)	Full temperature range Full load	Min. - Max.	VDC	4.5-33	9-60
Extended permanent input voltage range (Ui)	Consult factory Depends on reference	Min. - Max.	VDC	4.5-33	9-60
Transient input voltage	Full load	Minimum	VDC/s	45 / 0,1	80 / 1
Absolute max. input voltage	Power off	Maximum	VDC	50	100
Undervoltage lock-out (UVLO) Pin UVLO not connected	Turn-on voltage Hysteresis	Nominal	VDC	4.5	9
		Nominal	VDC	0.5	1
Undervoltage lock-out range	Trim range	Nominal	VDC	4,5-Vi max.	9- Vin max.
Start up time on power-up	Ui nominal, full load resistive	Maximum	ms	30	30
Start up time on SD release	Ui nominal, full load resistive	Maximum	ms	30	30
Reflected ripple current	Ui nominal, full load at switching freq. BW = 20MHz 1µF on Vif, 33µF on Vin	Maximum	% Inom.	10	10
No load input power	Ui nominal No load	Nominal	W	0,35	0,5
Standby input power	Ui nominal	Nominal	W	0,05	0,15
Output					
Output voltage		Nominal	VDC	2 x 3,3	2 x 3,3
		Nominal	VDC	2 x 5	2 x 5
		Nominal	VDC	2 x 12	2 x 12
		Nominal	VDC	2 x 15	2 x 15
		Nominal	VDC	2 x 24	2 x 24
Set Point accuracy	Ambient temperature : +25°C Ui nominal, 75% load	Maximum	%	+/- 2	+/- 2
Total output power with both outputs loaded	Full temperature range Ui min. to max.	Maximum	W	8 (5,2 for 3,3V output)	8 (5,2 for 3,3V output)
Maximum power per channel	Full temperature range Ui min. to max.	Maximum	W	6,8 (4,4 for 3,3V output)	6,8 (4,4 for 3,3V output)
Output current per output					
5V & 3,3V output	Full temperature range	Nominal	A	0,8	0,8
12V output	Full load see note (1)	Nominal	A	0,33	0,33
15V output	Ui min. to max.	Nominal	A	0,26	0,26
24V output		Nominal	A	0,16	0,16
Ripple output voltage **					
5V & 3,3V output	Ui nominal	Maximum	mVpp	150	150
12V output	Full load	Maximum	mVpp	240	240
15V output	BW = 20MHz	Maximum	mVpp	300	300
24V output		Maximum	mVpp	500	500
Output regulation * (Line + load + thermal)	Ui min. to max. 0% to full load	Maximum	%	+/- 2	+/- 2
Cross load output regulation	Ui min. to max. V01 at nominal load V02 from 25% to full load	Maximum	%	+/-6	+/-6
Output voltage trim	As a function of output voltage (3,3V output can be trimmed up only)	Minimum	%	80	80
		Maximum	%	110	110
Maximum admissible capacitive load					
5V & 3,3V output	Ui nominal	Maximum	µF	680	680
12V output	Full load	Maximum	µF	330	330
15V output	Per output	Maximum	µF	220	220
24V output		Maximum	µF	100	100
Efficiency	Ui nominal Full load	Typical	%	up to 87	up to 87

Note * : Regulation is measured with both outputs in parallel configuration.

Note ** : The ripple output voltage is the periodic AC component imposed on the output voltage, an aperiodic and random component (noise) has also to be considered. This noise can be reduced by adding 1 external decoupling capacitor connected between Gin and Gout. These capacitance should be layed-out as close as possible from the converter. The ripple output voltage is measured by connecting a ceramic chip capacitor Co accross Vo and Go pins (C=100µF if Vo<5Vdc C=10µF if Vo>5Vdc)

4- Electrical Characteristics (continued)



5- Switching Frequency

Characteristics	Conditions	Limit or typical	Specification
Switching frequency	Full temperature range Ui min. to max. No load to full load	Nominal, fixed	330 KHz
Synchronization frequency range	Frequency of external synchronization signal	Minimum Maximum	270 KHz 360 KHz

6- Isolation

Parameter	Conditions	Limit or typical	Specifications
Isolation voltage (Case not connected)	Input to output Between outputs	Minimum Minimum	1 500 VDC / 1 min 300 VDC / 1 min
Isolation safety rating	Input to output Between outputs	/	Basic Functionnal
Isolation capacitance	Input to output	Typical	1 nF
Isolation resistance	Input to case 500 VDC Output to case 500 VDC	Minimum Minimum	100 MOhm 100 MOhm

7- Protection Functions

Characteristics	Protection Device	Recovery	Limit or typical	Specifications
Input undervoltage lock-out (UVLO)	Turn-on, turn-off circuit with hysteresis cycle	Automatic recovery	Turn-on nominal Turn-off nominal	See section 3
Output current limitation protection (OCP)	Straight line current limitation	Automatic recovery	Typical Minimum	160% of Inom. 105% of Inom.

8- Reliability Data

Characteristics	Conditions	Temperature	Specifications
Mean Time Between Failure (MTBF) According to MIL-HDBK-217F	Ground fixed (Gf)	Case at 40°C Case at 70°C	1 100 300 Hrs 460 000 Hrs
	Airborne, Inhabited Cargo	Case at 40°C Case at 85°C	635 000 Hrs 190 000 Hrs
Mean Time Between Failure (MTBF) According to IEC-62380-TR	Aircraft Civilian	Ambient at 25°C 100% time on	Consult factory

9- Electromagnetic Interference and Surge

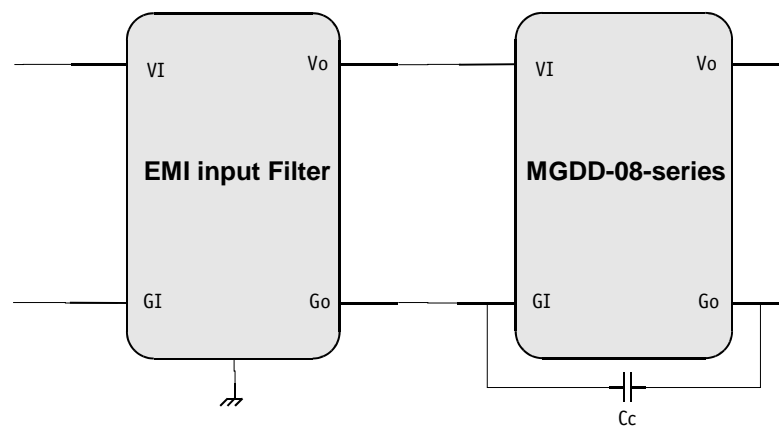
Electromagnetic Interference requirements according to MIL-STD-461C/D/E/F standards can be easily achieved as indicated in the following section. The following table resumes the different sections covered by these standards.

Standard Requirements	MIL-STD-461C Standard	MIL-STD-461D/E/F Standard	Compliance with GAIA Converter Module & common mode capacitance
Conducted emission (CE) : Low frequency High frequency	CE 01 CE 03	CE 101 CE 102	compliant module stand-alone compliant with additionnal filter
Conducted susceptibility (CS) : Low frequency High frequency	CS 01 CS 02	CS 101 CS114	compliant with additionnal filter compliant with additionnal filter
Radiated emission (RE) : Magnetic field Electrical field	RE 01 RE 02	RE 101 RE 102	compliant module stand-alone compliant module stand-alone
Radiated susceptibility (RS) : Magnetic field Electrical field	RS 01 RS 03	RS 101 RS 103	compliant module stand-alone compliant module stand-alone

9-1 Module Compliance with MIL-STD-461C/D/E/F Standards

To meet the latest US military standards MIL-STD-461D/E/F (and also the MIL-STD-461C) requirements and in particular the conducted noise emission CE102 (and also CE03) requirements, Gaïa Converter can propose EMI filter module. This EMI filter module has to be used together with a common mode noise capacitance C_c (10nF/rated voltage depending on isolation requirement) connected between G_{in} and G_{out} .

Please consult FGDS-2A-50V datasheet for further details.



10- Thermal Characteristics

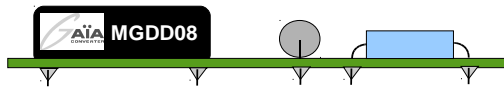
Characteristics	Conditions	Limit or typical	Performances
Operating ambient temperature range	Ambient temperature	Minimum Maximum	- 40°C see below
Operating case temperature range at full load	Case temperature	Minimum Maximum	- 40°C 105°C
Storage temperature range	Non functioning	Minimum Maximum	- 55°C + 125°C

To calculate the maximum ambient temperature, the converter, will be able to operate, the following parameters are required :

- Tcase = maximum case temperature the converter can operate
- Tmax = maximum ambient temperature the converter can operate in
- Pout= effective output power
- Rth(c) = thermal resistance case to ambient of the converter
example (see table below) in free air natural convection : Rth(c) = 20°C/W
- Rth(tot) = thermal resistance of converter and its heatsink (if used)
- Rth(hs) = Thermal resistance of heat sink (if used)
- η = converter efficiency

There are 3 mounting variant possibilities as described below :

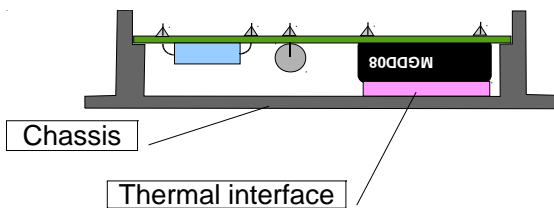
Converter Stand-Alone Mounting



To calculate the maximum ambient temperature the converter can operate, the following formula can be applied :

$$T_{max} = T_{case} - R_{th}(c) \times P_{out}(1/\eta - 1)$$

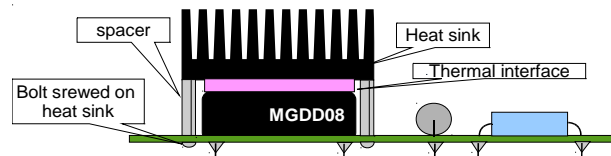
Converter with Chassis Mounting



If the thermal interface resistance can be neglected, the maximum chassis temperature is equal to the maximum converter case temperature.

$$T_{max\ chassis} = T_{max}$$

Converter with Heatsink Mounting



To calculate the maximum ambient temperature the converter can operate, the following formula can be applied :

$$T_{max} = T_{case} - R_{th}(tot) \times P_{out}(1/\eta - 1)$$

The most sensitive parameter in this formula is the Rth(tot) value.

Rth(tot) is depending on the thermal resistance of the converter Rth(c) in the mounting configuration and the thermal resistance of the heatsink Rth(hs).

- The Rth(c) is dependant on ambient temperature, way the converter is tied to the PCB, position, PCB copper track and power plane length.
- Also, in general Rth(c) is decreasing as temperature is increasing.
- Rth(hs) : Rth(hs) value is highly depending on way heatsink is connected to case.

The value of Rth(tot) can be evaluated with the below definition :

$$R_{th}(c) \times R_{th}(hs) / (R_{th}(c) + R_{th}(hs)) < R_{th}(tot) < R_{th}(c)$$

The table hereafter gives some example of thermal resistance for different heat transfert configurations.

Heat transfert	Thermal resistance heatsink to air Rth(h-a)	Conditions	Global resistance
Free air cooling only	Rth(c) : no Heatsink baseplate only	Ambient 60°C, converter on PCB	20°C/W
	Rth(tot) with heatsink ABL BGA-STD-050	Ambient 60°C, converter on PCB	14°C/W

11- Environmental Qualifications

The modules have been subjected to the following environmental qualifications.

Characteristics	Conditions	Severity	Test procedure
Climatic Qualifications			
Life at high temperature	Duration Temperature / status of unit	Test D : 1 000 Hrs @ 105°C case, unit operating @ 125°C ambient, unit not operating	MIL-STD-202G Method 108A
Altitude	Altitude level C Duration Climb up Stabilization Status of unit	40 000 ft@-55°C 30 min. 1 000 ft/min to 70 000 ft@-55°C, 30 min. unit operating	MIL-STD-810E Method 500.3
Humidity cyclic	Number of cycle Cycle duration Relative humidity variation Temperature variation Status of unit	10 Cycle I : 24 Hrs 60 % to 88 % 31°C to 41°C unit not operating	MIL-STD-810E Method 507.3
Humidity steady	Damp heat Temperature Duration Status of unit	93 % relative humidity 40°C 56 days unit not operating	MIL-STD-202G Method 103B
Salt atmosphere	Temperature Concentration NaCl Duration Status of unit	35°C 5 % 48 Hrs unit not operating	MIL-STD-810E Method 509.3
Temperature cycling	Number of cycles Temperature change Transfert time Steady state time Status of unit	200 -40°C / +85°C 40 min. 20 min. unit operating	MIL-STD-202A Method 102A
Temperature shock	Number of shocks Temperature change Transfert time Steady state time Status of unit	100 -55°C / +105°C 10 sec. 20 min. unit not operating	MIL-STD-202G Method 107G
Mechanical Qualifications			
Vibration (Sinusoidal)	Number of cycles Frequency / amplitude Frequency / acceleration Duration Status of unit	10 cycles in each axis 10 to 60 Hz / 0.7 mm 60 to 2 000 Hz / 10 g 2h 30 min. per axis unit not operating	MIL-STD-810D Method 514.3
Shock (Half sinus)	Number of shocks Peak acceleration Duration Shock form Status of unit	3 shocks in each axis 100 g 6 ms 1/2 sinusoidal unit not operating	MIL-STD-810D Method 516.3
Bump (Half sinus)	Number of bumps Peak acceleration Duration Status of unit	2 000 Bumps in each axis 40 g 6 ms unit not operating	MIL-STD-810D Method 516.3

12- Description of Protections

The MGDD-08 series includes 2 types of protection devices.

12-1 Input Undervoltage Lockout (UVLO)

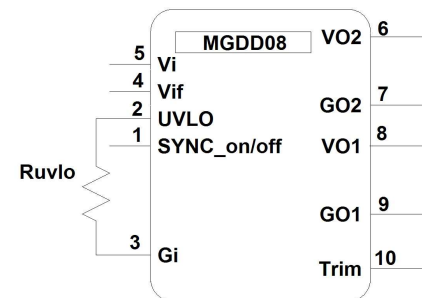
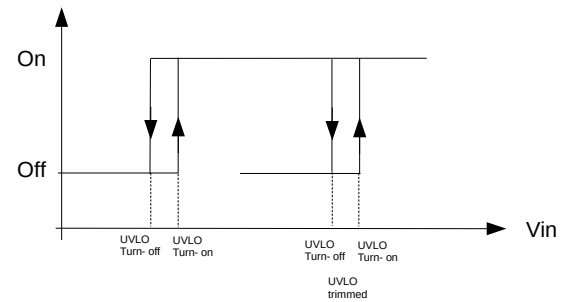
An input undervoltage protection will inhibit the module when input voltage drops below the lock-out turn-off threshold (see section 3 for value) and restores to normal operation automatically when the input voltage rises the lock-out turn-on threshold.

The UVLO voltage can be adjusted using a resistor (R_{uvlo}) connected between pin 2 and G_i . This value can be adjusted in order to allow converter to stop properly accordingly to the input bus (or battery) voltage value. R_{uvlo} can be determined using the following formula

$$R_{uvlo} (K\Omega) = \frac{A}{V_{uvlo} - B} - 1$$

R_{uvlo} = trimming resistance
 V_{uvlo} = desired turn-on voltage
 A & B = input range parameter (see table below)

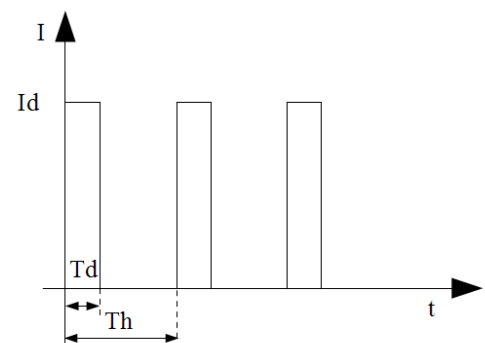
Converter Series	Parameter A	Parameter B
MGDD-08-N Series	110	8.51
MGDD-08-E Series	41	3.69



12-2 Output Over Current Protection (OCP)

The MGDD-08 Series incorporates an over-current protection circuit that detects short circuit or over current and protects the module according to the hiccup graph .

The maximum detection current I_d is depending on input voltage V_{in} and temperature. When OCP is triggered, the converter falls into hiccup mode, testing periodically if the overload is still present. The module restart automatically in soft-start to normal operation when overcurrent is removed. T_d (detection time) and T_h (hiccup period) are depending on V_{in} and temperature.



13- Description of Functions

13-1 Connection of Outputs

The outputs of MGDD-08 can be connected in various configurations such as :

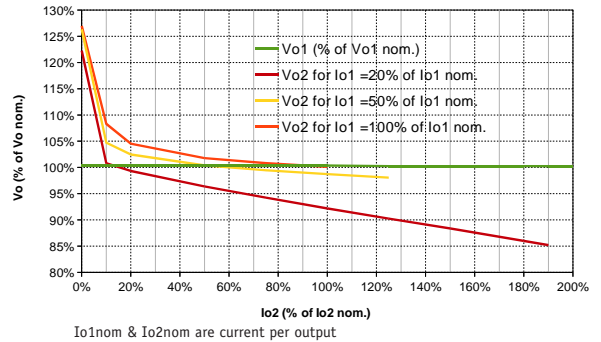
- connections in series
- connection in parallel
- connection in symmetry
- connection in independance

Please note that regulation is achieved through output V01/G01 referenced as primary output. When connected in symmetry or independant configurations with unbalanced loads, V01/G01 has to be loaded at 2W minimum to insure proper operation of the converter.

V02/G02 limits :

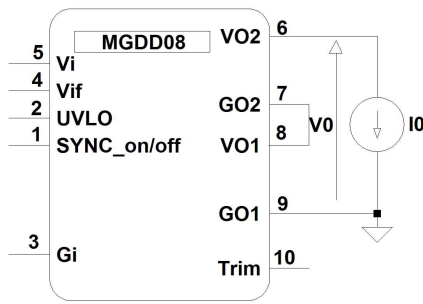
The V02/G02 output referenced as secondary output may stay unloaded but in that case its regulation may drift-up. The V02 drift increases with the V01 load and can reach up to 130% (typical) of V02 nominal voltage in worst case. Any 10% load on V02 brings back drift within lower values as graph herein.

MGDD-08-N TYPICAL CROSS-REGULATION @ 25°C



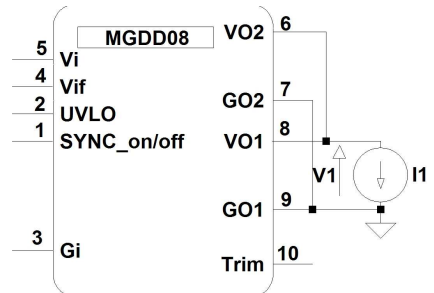
13-1-1 Connection of Outputs in Series

Outputs connected in series allow to achieve 6,6V, 10V, 24V, 30V or 48V output voltages up to 8W total power. These values can be extended using trim adjustment.



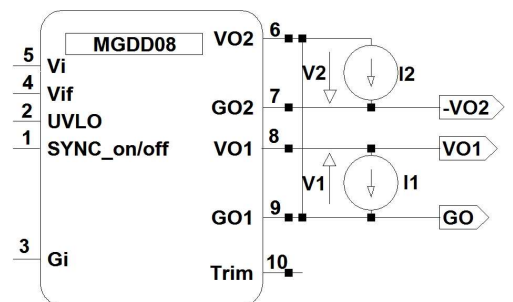
13-1-2 Connection of Outputs in Parallel

Outputs connected in parallel allow to achieve single output 3,3V, 5V, 12V, 15V or 24V up to 8W power. These values can be extended using trim adjustment.



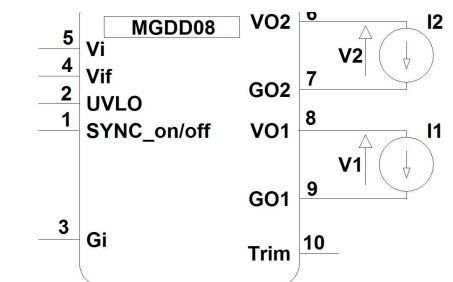
13-1-3 Connection of Outputs in Symmetry

Outputs connected in symmetry allow to achieve +/-5V, +/-12V, +/-15V or +/-24V voltages (+/-4W each) with possible unbalanced load up to 6,8W on output 1, 1,2W on output 2 and vice versa.



13-1-4 Connection in Independance

Outputs connected independantly with floating voltage between each other can be achieved for 2x3,3V, 2x5V, 2x12V, 2x15V or 2x24V voltages (4W each) with possible unbalanced load up to 6,8W on output 1, 1,2W on output 2 and vice versa.



13- Description of Functions (continued)

13-2 Trim Function

The output voltage Vo1 may be trimmed in a range of 80%/110% of the nominal output voltage (100%/110% for 3,3 Vdc output voltage) via a single external trimpot or fixed resistor.

The VO2 output will be automatically trimmed in the same value than VO1, whatever the outputs combination is.

Trim Up Function

Do not attempt to trim the module higher than 110% of nominal output voltage as the overvoltage protection may occur.

Also do not exceed the maximum rated output power when the module is trimmed up.

The trim up resistance must be calculated with the following formula :

$$R_U (k \Omega) = 4,7 \cdot \frac{VO_{nom} - 1,225}{VO - VO_{nom}} - 0,27$$

R_u is trim resistor value in KOhm
 VO_{nom} is nominal output voltage
 VO is desired trimmed output voltage

Trim Down Function

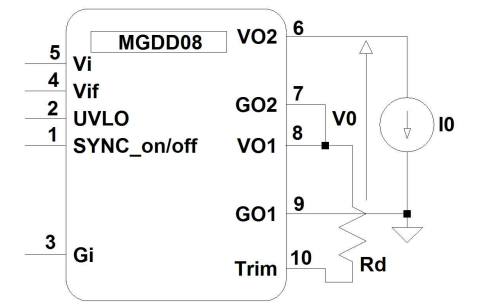
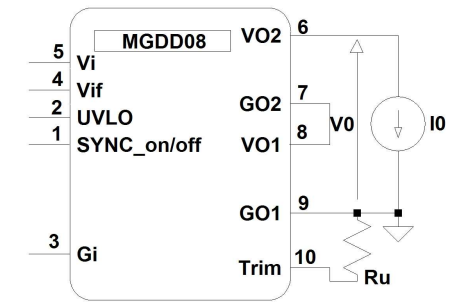
Do not trim down more than -20% of nominal output voltage otherwise the module may be damaged.

The available output power is reduced by the same percentage that output voltage is trimmed down.

The trim down resistance must be calculated with the following formula :

$$R_D (k \Omega) = 4,7 \cdot \left(\frac{VO_{nom}}{1,225} - 1 \right) \cdot \frac{VO - 1,225}{VO_{nom} - VO} - 0,27$$

R_d is trim resistor value in KOhm
 VO_{nom} is nominal output voltage
 VO is desired trimmed output voltage



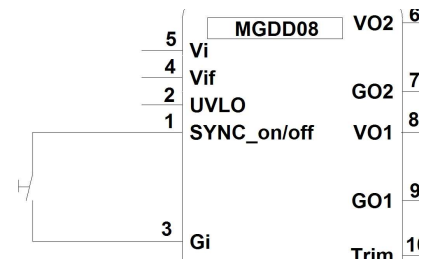
13- Description of Functions (continued)

13-3 On/Off (SYNC_On/Off) Function

The control pin 1 (SYNC_On/Off) can be used for applications requiring On/Off operation. This may be done with an open collector transistor, a switch, a relay or an optocoupler. Several converters may be disabled with a single switch by connecting all SYNC_On/Off pins together.

- The converter is disabled by pulling low the pin 1.
- No connection or high impedance on pin 1 enables the converter.

By releasing the On/Off function, the converter will restart within the start up time specifications given in table section 3

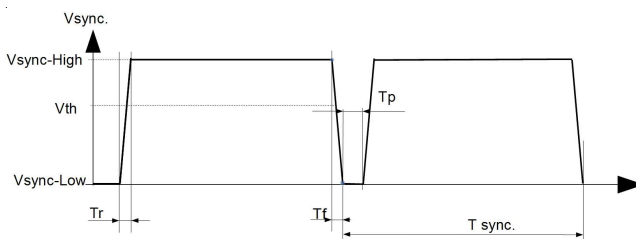
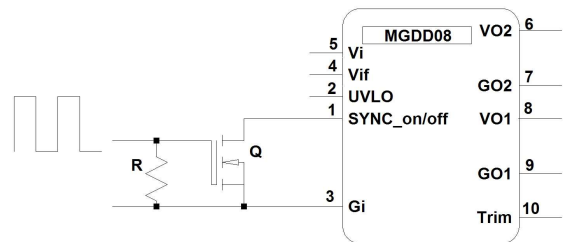


Parameter	Unit	Min.	Typ.	Max.	Notes, conditions
On/Off module enable voltage	Vdc	2.5	/	3.3	Open, the switch must not sink more than 50μA
On/Off module disable voltage	Vdc	0	/	0.5	The switch must be able to sink 0,5mA
On/Off module enable delay	ms	/	/	30	The module restarts with the same delay after alarm mode removed
On/Off module disable delay	μs	/	/	100	Vi nominal, full load

13-4 Synchronization (SYNC_On/Off) Function

The MGDD-08 voltage series provides an external synchronization function through the SYNC-On/Off pin. SYNC-On/Off pin is an input only and is referenced to Gi. Automatic synchronization mode (all Sync pins connected) is not possible.

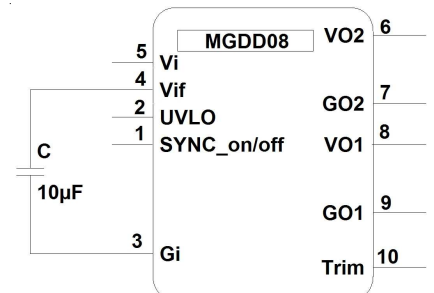
This pin can be driven directly by using a LV TTL (3,3V) gate. SYNC_On/Off pin is internally pulled up to 3V (logic level 1). It is possible to synchronize the module by using an open collector gate (transistor, optocoupler, ...). Minimum 3,3V LV TTL rise time (tr) and fall time (tf) are 20ns. The module can lock on frequency above or below its free-run frequency $2.52 \mu s < T_{sync} < 3.78 \mu s$ and $0.3 \mu s < T_p < 2.7 \mu s$.



13-5 Input Filter Compensation (VIF)

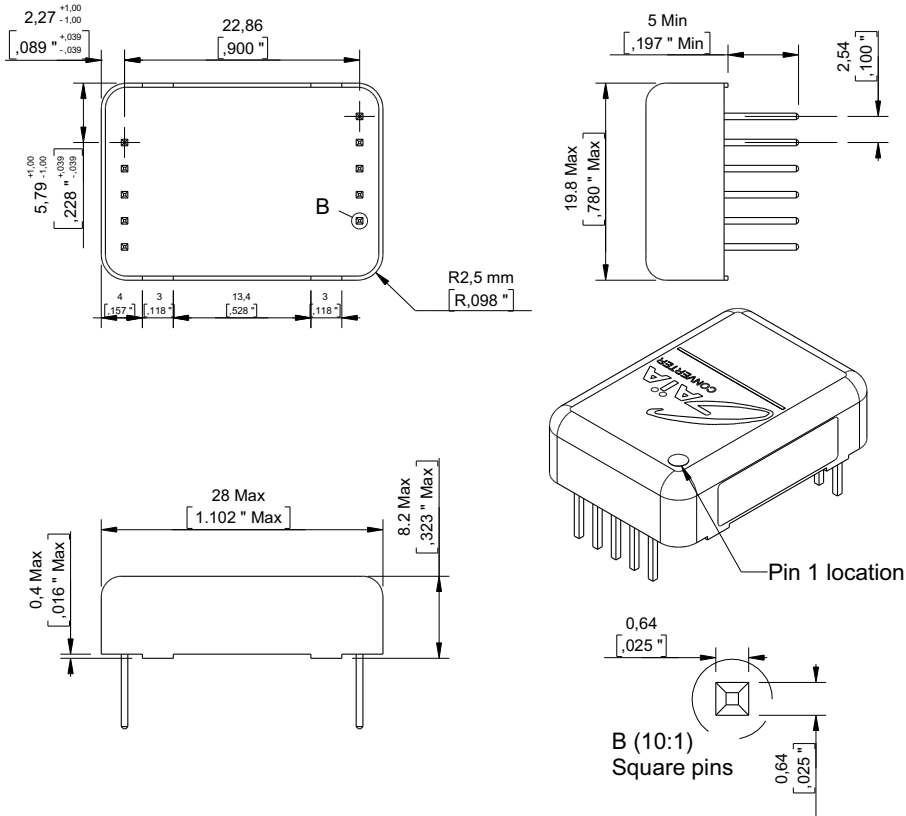
The «VIF» pin is a direct access to the capacitor of the LC input filter. For stringent application it gives an help to improve the converter stability and to reduce the input current ripple for better EMI performance, by adding a capacitor across «VIF» pin and «Gin» pin.

This capacitor should have the proper voltage rating. Because of high current flowing through it, it should be connected between «VIF» and «Gin» as close as possible.



14- Dimensions

Dimension are given in mm. Tolerance : +/- 0,2 mm (+/- 0.01 ") unless otherwise indicated.
 All dimensions specified "Min" or "Max" are not subjected to the general tolerance.
 Weight : 10 grams (0,3 Ozs) max.



4

15- Materials

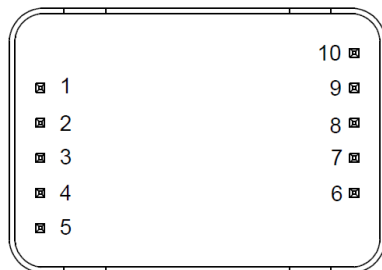
Case : Metallic black anodized coating.
 Pins : Flash gold plating over nickel underplate.

16- Product Marking

Upper face : Company logo, location of manufacturing.
 Side face : Module reference, option, date code : year and week of manufacturing.

17- Connections

The MGDD-08 series has been designed for on-board mounting.
 it is recommended not to lay-out any component under the module.



Bottom view

Pin	Dual
1	Sync-SD
2	UVLO
3	- Input (Gi)
4	VIF
5	+ Input (Vi)
6	+ Output 2 (Vo2)
7	- Output 2 (Go2)
8	+ Output 1 (Vo1)
9	-- Output 1 (Go1)
10	Vtrim



For more detailed specifications and applications information, contact :

International Headquarters

GAIA Converter - France
ZI de la Morandière
33185 LE HAILLAN - FRANCE
Tel. : + (33)-5-57-92-12-80
Fax : + (33)-5-57-92-12-89

North American Headquarters

GAIA Converter Canada, Inc
4038 Le Corbusier Blvd
LAVAL, QUEBEC - CANADA H7L 5R2
Tel. : (514)-333-3169
Fax : (514)-333-4519

Represented by :