

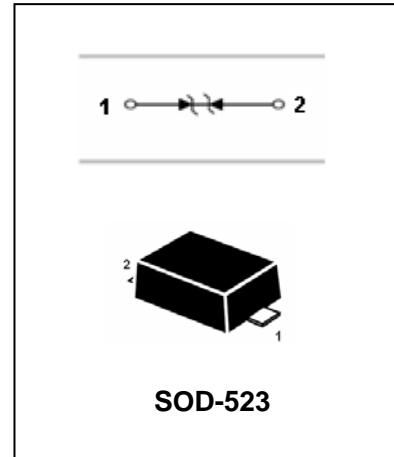


Transient Voltage Suppressor

GESD5V0B5

FEATURES

- Reverse working(Stand-off) voltages:5.0V.
- Low leakage.
- Response time is typically<1ns.



APPLICATIONS

- Bi-directional micro-packaged diodes for ESD protection.

ORDERING INFORMATION

Type No.	Marking	Package Code
GESD5V0B5	B5	SOD-523

MAXIMUM RATING @ Ta=25°C unless otherwise specified

Parameter	Symbol	Limits	Unit
IEC 61000-4-2 (ESD) Contact		± 30	kV
ESD voltage per human body model per machine model		16 400	kV V
Peak power per 8×20µs waveform Peak power per 10×1000µs waveform	P _{PK}	50 10	W
Total power dissipation	P _{tot}	200	mW
Junction and Storage temperature range	T _j , T _{stg}	-55 to +150	°C
Lead solder temperature range (10 Second Duration)	T _L	260	°C



Transient Voltage Suppressor

GESD5V0B5

ELECTRICAL CHARACTERISTICS @ Ta=25°C unless otherwise specified

Device	Device Marking	V_{RWM} (V)	$I_R(\mu A)$ @ V_{RWM}	$V_{BR}(V)$ @ I_T		I_T	$C(pF)$ @ $V_R=0V,$ $f=1MHz$
		Max.	Max.	Min.	Max.	mA	Typ.
GESD5V0B5	B5	5.0	1.0	5.8	7.8	1.0	10

TYPICAL CHARACTERISTICS @ Ta=25°C unless otherwise specified

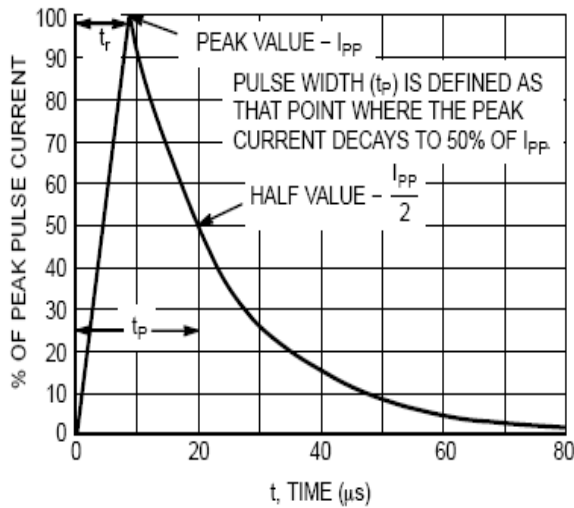


Figure 1. 8 x 20 μs Pulse Waveform

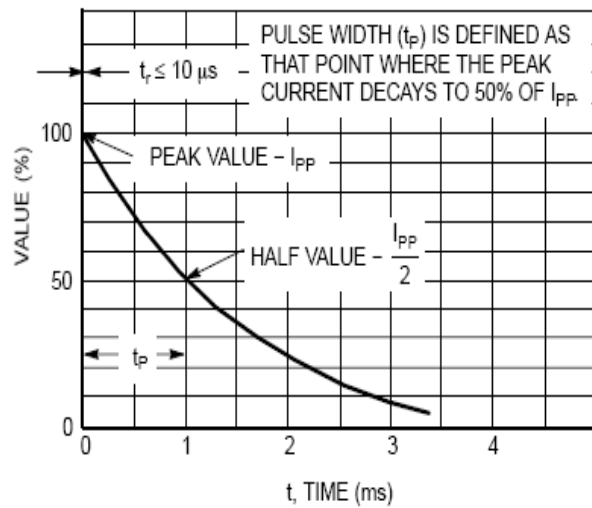


Figure 2. 10 x 1000 μs Pulse Waveform

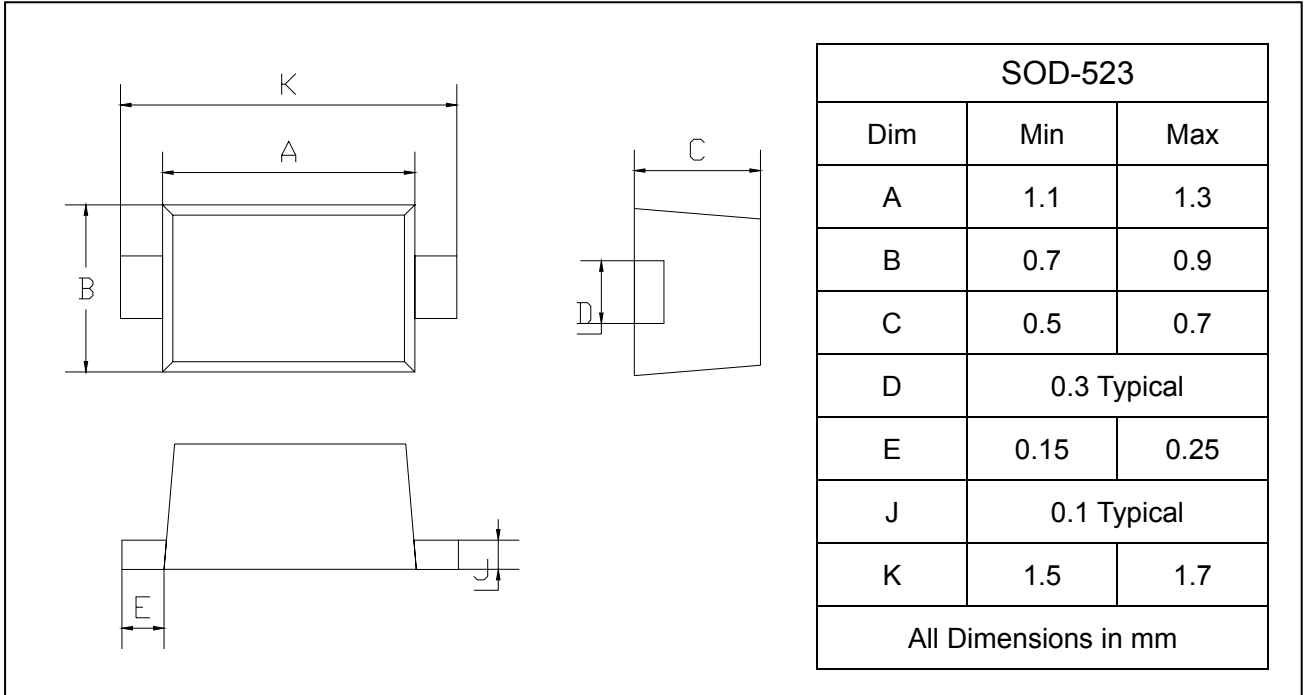
Transient Voltage Suppressor

GESD5V0B5

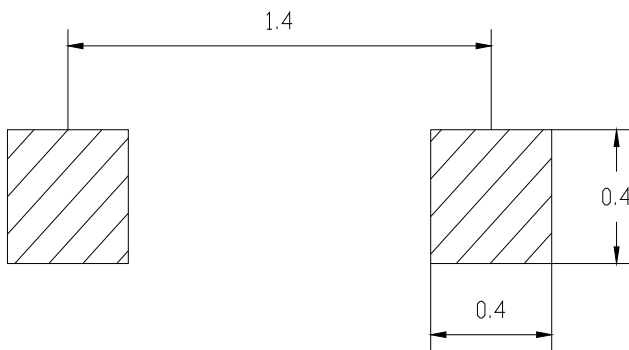
PACKAGE OUTLINE

Plastic surface mounted package

SOD-523



SOLDERING FOOTPRINT



Unit: mm

PACKAGE INFORMATION

Device	Package	Shipping
GESD5V0B5	SOD-523	3000/Tape&Reel