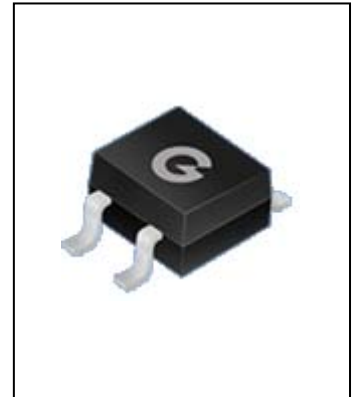


SILICON BRIDGE RECTIFIERS

MB05S--MB10S

FEATURES

- Glass: passivated chip junctions
- High surge overload rating: 30A peak
- Saves space on printed circuit boards
- This series is UL recognized under Component Index, file number E239431
- Plastic material has U/L flammability classification 94V-0
- High temperature soldering guaranteed: 260°C/10 seconds at 5 lbs. (2.3kg) tension



MECHANICAL DATA

- Case: Molded plastic body over passivated junctions
- Terminals: Plated leads solderable per MIL-STD-750, Method 2026

Maximum Ratings (@T_A = 25°C unless otherwise specified)

Characteristic	Symbol	MB05S	MB1S	MB2S	MB4S	MB6S	MB8S	MB10S	UNITS
Peak Repetitive Reverse Voltage	V _{RRM}	50	100	200	400	600	800	1000	V
RMS Reverse Voltage	V _{RMS}	35	70	140	280	420	560	700	V
DC Blocking Voltage	V _{DC}	50	100	200	400	600	800	1000	V
Maximum average forward Output current @T _A =25°C	I _{F(AV)}	0.5 ¹⁾ 0.8 ²⁾							A
Peak forward surge current 8.3ms single half-sine-wave superimposed on rated load	I _{FSM}	30							A

Thermal Characteristics

Characteristic	Symbol	MB05S	MB1S	MB2S	MB4S	MB6S	MB8S	MB10S	UNITS
Typical junction capacitance per leg (NOTE 3)	C _J	13							pF
Current squared time t < 8.3ms, T _a = 25°C	I ² t	3.74							A ² s
Typical thermal resistance per leg (NOTE 1) (NOTE 2)	R _{θJA} R _{θJL}	85 20							°C/W
Operating junction temperature range	T _J	- 55 ---- + 150							°C
Storage temperature range	T _{STG}	- 55 ---- + 150							°C

Electrical Characteristics (@T_A = 25°C unless otherwise specified)

Characteristic	Symbol	MB05S	MB1S	MB2S	MB4S	MB6S	MB8S	MB10S	UNITS
Maximum instantaneous forward voltage at 0.4 A	V _F	1.0							V
Maximum reverse current @T _A =25°C at rated DC blocking voltage @T _A =125°C	I _R	5.0 100							μA

NOTES: (1) On glass epoxy P.C.B. mounted on 0.05 x 0.05" (1.3 x 1.3mm) pads

(2) On aluminum substrate P.C.B. with an area of 0.8" x 0.8" (20 x 20mm) mounted on 0.05 x 0.05" (1.3 x 1.3mm) solder pad

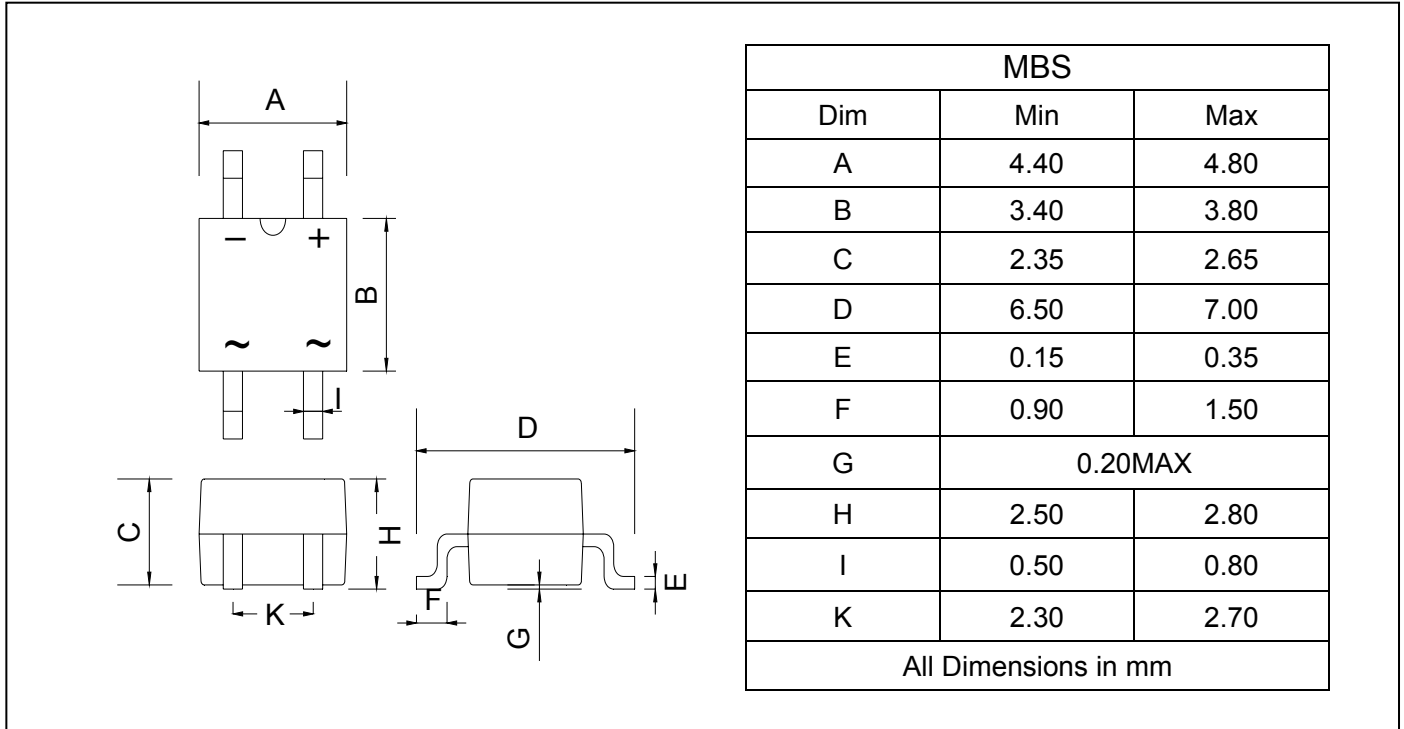
(3) Measured at 1.0 MHz and applied reverse voltage of 4.0 Volts



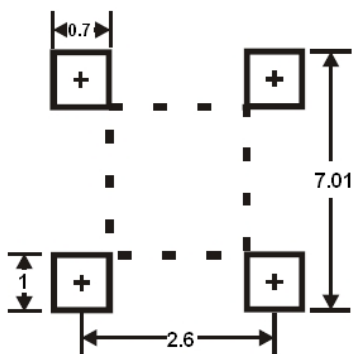
SILICON BRIDGE RECTIFIERS

MB05S--MB10S

PACKAGE OUTLINE DIMENSIONS



SOLDERING FOOTPRINT



Unit : mm

PACKAGE INFORMATION

Device	Package	Shipping
MB05S--MB10S	MBS	3000/Tape&Reel



SILICON BRIDGE RECTIFIERS

MB05S--MB10S

