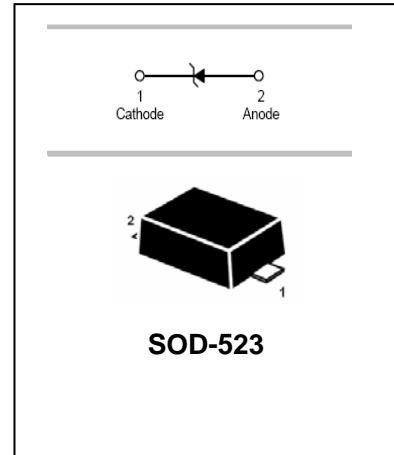


Transient voltage suppressors

ESD5ZXX

FEATURES

- Stand-off voltage:2.5V-12V.
- Low leakage.
- Response time is typically<1ns.



APPLICATIONS

- Designed to protect voltage sensitive components from ESD and transient.

ORDERING INFORMATION

Type No.	Marking	Package Code
ESD5Z2.5-ESD5Z12	See table on page 2	SOD-523

MAXIMUM RATING @ Ta=25°C unless otherwise specified

Parameter	Symbol	Limits	Unit
IEC 61000-4-2 (ESD) Air contact Contact		± 30 ± 30	kV
IEC 61000-4-4 (EFT)		40	A
ESD voltage per human body model per machine model		16 400	kV V
Total power dissipation	P _{tot}	100	mW
Total resistance junction to ambient	R _{θJA}	300	°C/W
Junction and Storage temperature range	T _j , T _{stg}	-55 to +150	°C
Lead solder temperature range (10 Second Duration)	T _L	260	°C



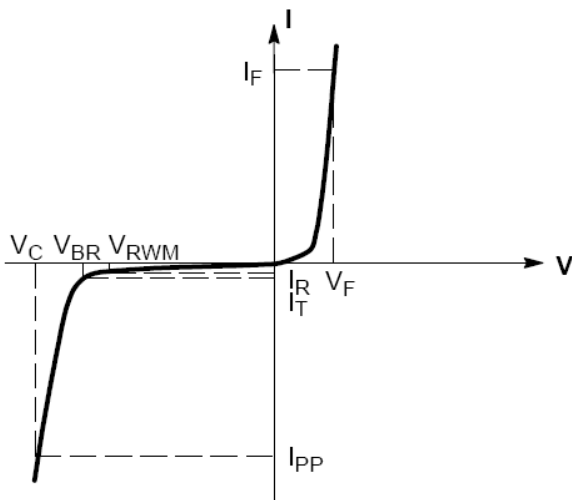
Transient voltage suppressors

ESD5ZXX

ELECTRICAL CHARACTERISTICS @ Ta=25°C unless otherwise specified

Device	Device Marking	V _{RWM}	I _R (μ A)	V _{BR} (V)	I _T	V _C (V)	V _C (V)	I _{PP} (A)	P _{PK} (W)	C(pF)
		(V)	@V _{RWM}	@I _T	mA	@I _{PP} =5.0A	@Max.I _{PP}			
		Max.	Max.	Min.		Typ.	Max.	Max.	Max.	Typ.
ESD5Z2.5	ZD	2.5	6.0	4.0	1.0	6.5	10.9	11.0	120	145
ESD5Z3.3	ZE	3.3	0.05	5.0	1.0	8.4	14.1	11.2	158	105
ESD5Z5.0	ZF	5.0	0.05	6.2	1.0	11.6	18.6	9.4	174	80
ESD5Z6.0	ZG	6.0	0.01	6.8	1.0	12.4	20.5	8.8	181	70
ESD5Z7.0	ZH	7.0	0.01	7.5	1.0	13.5	22.7	8.8	200	65
ESD5Z12	ZM	12	0.01	14.1	1.0	17	25	9.6	240	55

TYPICAL CHARACTERISTICS @ Ta=25°C unless otherwise specified



Uni-Directional TVS

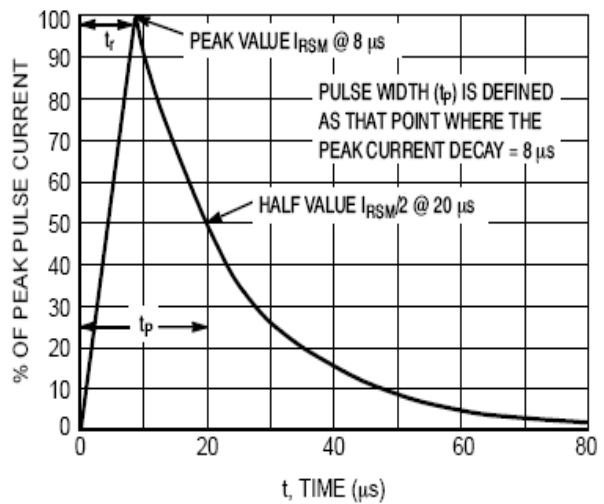


Figure 1. 8 x 20 μ s Pulse Waveform

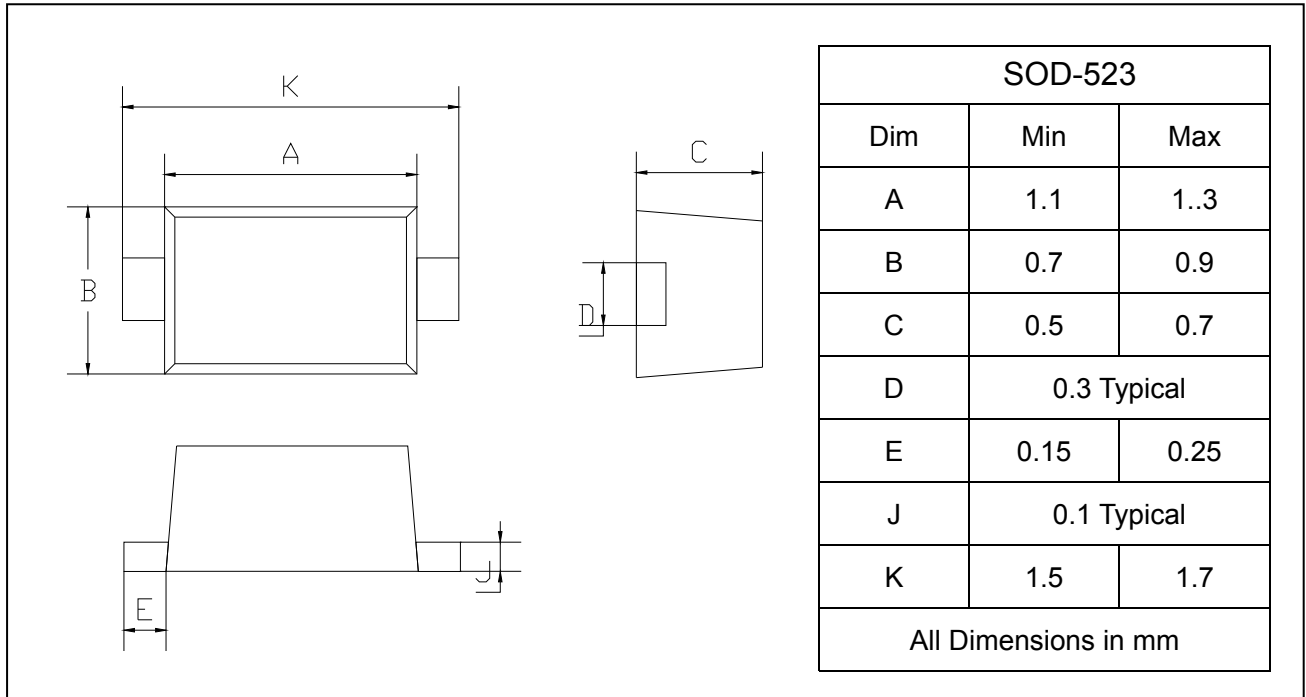
Transient voltage suppressors

ESD5ZXX

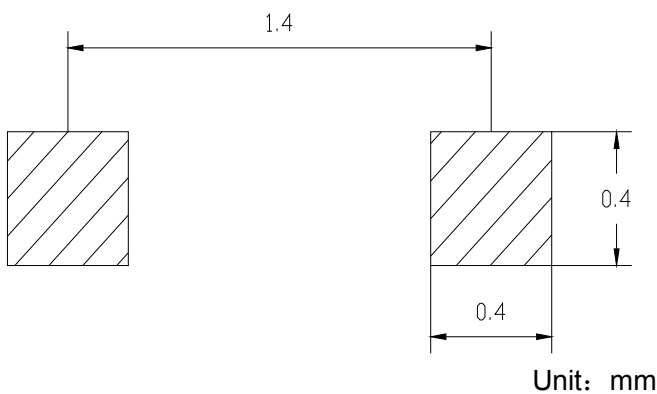
PACKAGE OUTLINE

Plastic surface mounted package

SOD-523



SOLDERING FOOTPRINT



PACKAGE INFORMATION

Device	Package	Shipping
ESD5ZXX	SOD-523	3000/Tape&Reel