

Heavy Duty Mounting Bracket

For EXTENT™ D5777i Directional Antenna Pole Installation

DESCRIPTION:

Galtronics heavy duty mounting bracket offers an easy installation solution to mount Galtronics' EXTENT™ D5777i directional antenna to a pole. The mounting bracket allows a tilt of up to 20° and stop every 2.5°.



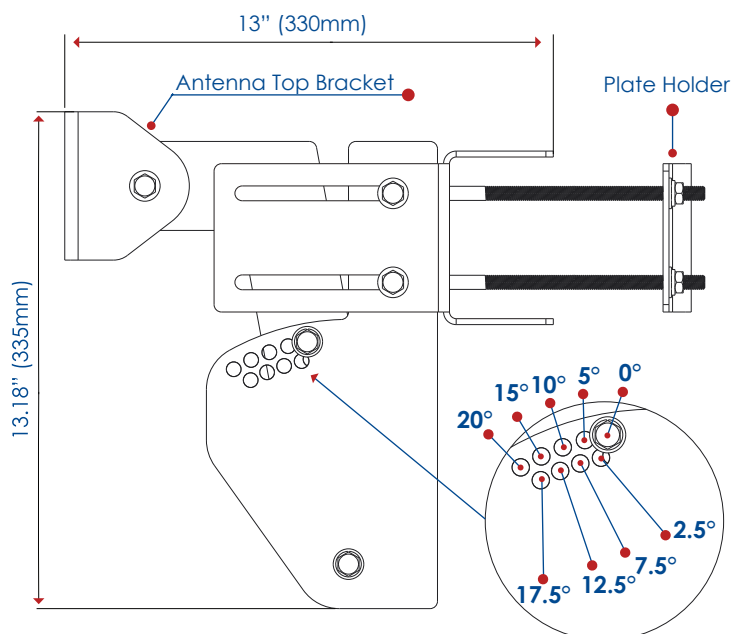
[Video Clip](#)

[Download Datasheet](#)

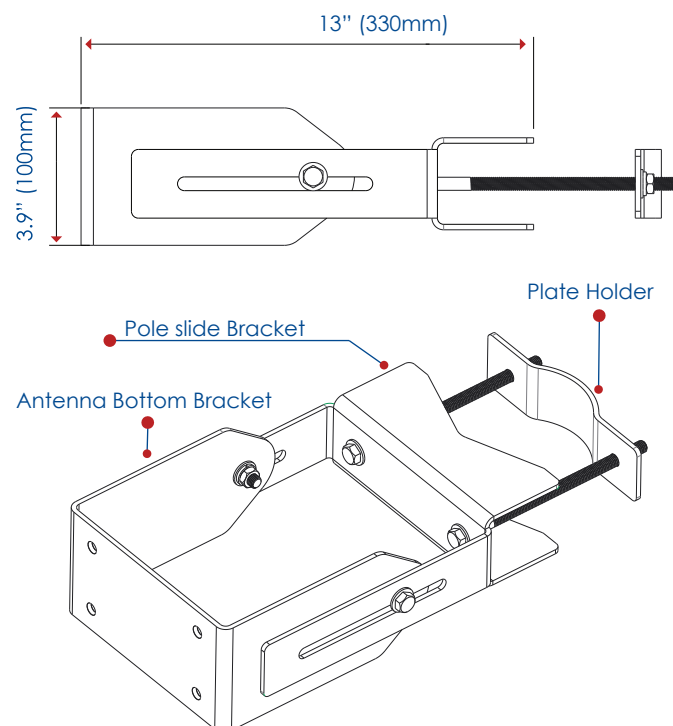
Specifications

Model Number	62-33-03
Possible Tilt Up/Down	Up To 20° For Up/Down
Slide Extract / Retract	Up To 4" (101.6 mm)
Operating Temperature	-40°F to +158°F (-40° to +70°C)
Mounting Style	Pole Mounting 2" (50.8 mm) - 4" (101.6 mm)
Material	Carbon Steel
Dimensions Top Assembly H/L	13.1" (335mm) 13" (330mm)
Dimensions Bottom Assembly H/L	3.9" (100mm) 13" (330mm)
Weight	12.9 Kg (28.4 lbs)
Wind speed survival	150 mph (240 kph)
Mounting Hardware to Antenna	Included
Mounting Hardware to Pole	Included

Antenna Top Assembly:



Antenna Bottom Assembly:

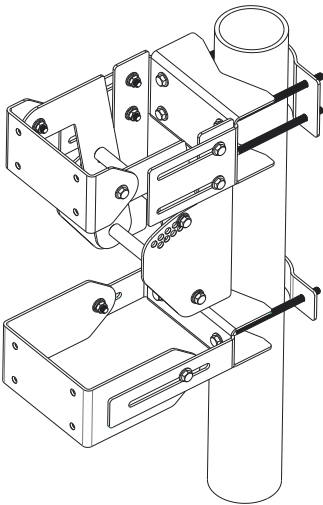


The mounting bracket offers following options for Tilt Positions (mounting hardware to pole NOT included)

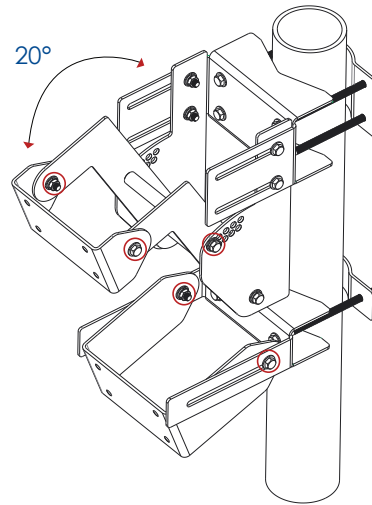
Pole Mount Installation | Pole Bracket Mount For 2" (50.8mm), 3" (76.2mm), 4" (101.6mm), Pole Diameters

- Attach the Antenna Pole slide bracket to the pole together with the Plate Holder and the 3/8" Bolt, use tightening torque of 10Nm (88.5 Lb-in)
- Attach the Antenna to the "top and bottom brackets" with the provided hardware.
- To get different tilt positions or extraction, release and tighten back all 3/8" bolts that marked in red circle, use tightening torque of 16Nm (141.6 Lb-in) (see drawing positions below)

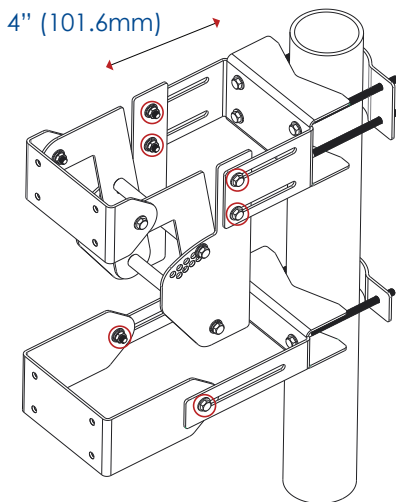
Position 1 | Without Extraction and Tilt.



Position 2 | Without Extraction Only Tilt. Tilt up to 20° (stop every 2.5°)



Position 3 | Slide Extraction up to 4" (101.6mm) without Tilt.



Position 4 | Slide Extraction up to 4" (101.6mm) together with Tilt up to 20° (stop every 2.5°)

