



Land Mobile 2-Way Radio Antennas

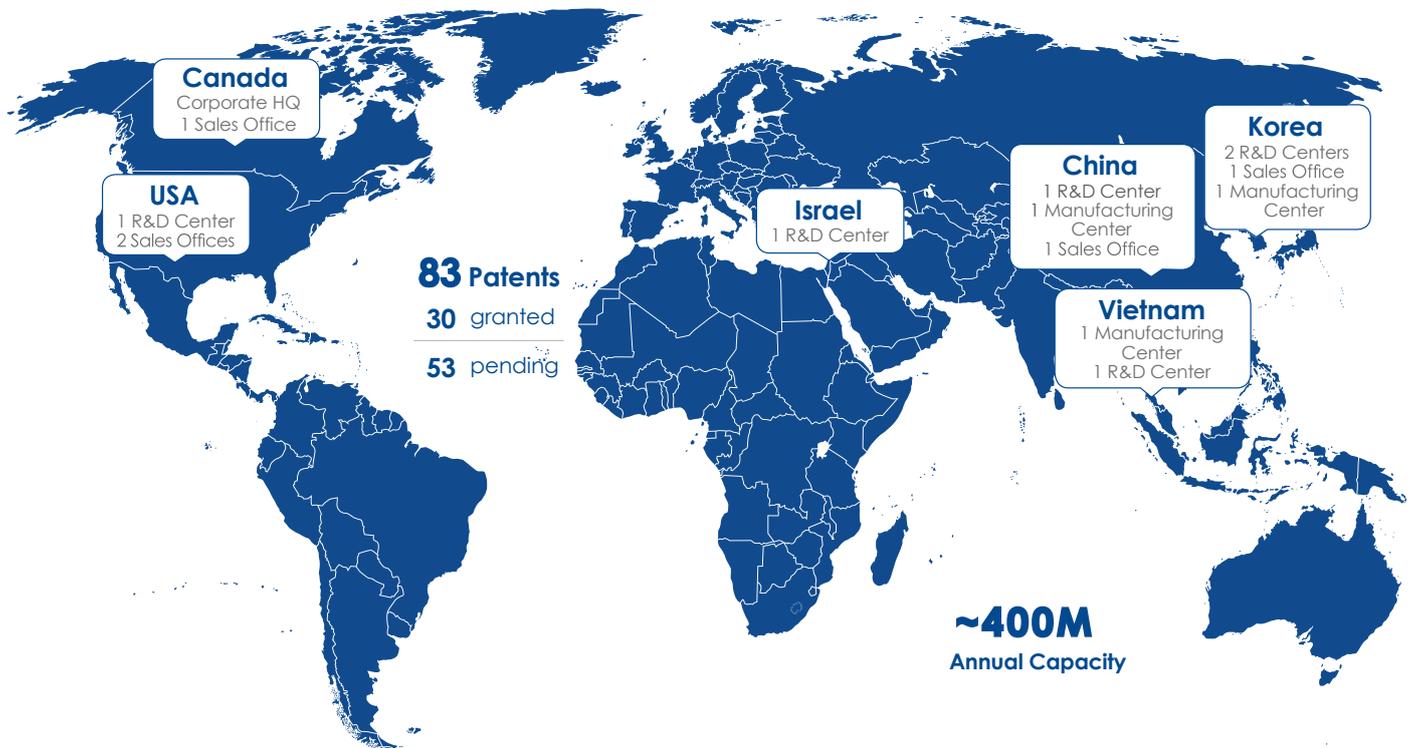
Public Safety Radios Commercial / Industrial Radios P25 Radios
VHF | UHF | 700 | 800 | 900 | GPS | 1710-2170 | 2300-2700

Innovative Antenna Solutions

Mobile Devices | Wireless Infrastructure | Networking

www.galtronics.com

Galtronics. Worldwide.



Galtronics Corporation Ltd., a Baylin Technologies (TSX: BYL) company, is a global company providing innovative antenna and communications solutions of the highest quality and design.

Galtronics has state-of-the-art design centers around the globe as well as world class manufacturing facilities in China and Vietnam.

Galtronics offers custom and off-the-shelf antenna solutions from concept and design to production and delivery of products for the world's leading wireless organizations. Since Galtronics was established in 1978, the business has grown into an international platform with operations in North America, Europe and Asia.

2-Way Radio Antennas

Galtronics has been a leading industry supplier for public safety antennas for more than 37 years. We offer our customers a wide range of high performance antennas that meet the most stringent requirements in the industry. We have a unique approach to developing Multi-Wide band antennas with LTE bands and are continuously striving to improve our products through advanced research and innovation.

Galtronics land mobile antenna solutions developed for portable two-way radios, provide superior pattern coverage for all mobile and fixed applications. Our innovative designs deliver industry-leading performance reliability with minimum loss from environmental constraints. There are antennas made to MIL specs and will hold up in extreme conditions, perfect for public safety, commercial, and industrial purposes.

- » Applications: **Public Safety Radios** | **Commercial / Industrial Radios** | **P25 Radios**
- » Frequencies: **VHF** | **UHF** | **700** | **800** | **900** | **GPS** | **1710-2170** | **2300-2700**

Antenna Type	Connector	Frequency MHz	Galtronics Part No.	Interface Modifiable	Diameter / REF. Length mm	VSWR / Return - Loss dB (Typical)	Gain dBi (Typical)	Ohm	Watt	Click on Datasheet Page #
Helical Dualband	SMA(F)	380-470	02064235-05715	Skirt	15.0 / 93	-6	0	50	10	9
		1575				-8	1			
Helical Dualband	SMA(F)	450-520	02064236-05715	Skirt	15.0 / 93	-8	1	50	10	10
		1575				-8	1			
Whip Dualband	SMA(F)	380-520	02064240-05714	Skirt	15.20 / 150	-6	0	50	10	11
		1575				-10	1			
Whip ¼ Wave Dualband	SMA(F)	760-870	02064245-05713	Skirt	15.20 / 101	-7	0	50	10	12
		1575				-7	1			
Whip ½ Wave Wideband	SMA(F)	350-520	02064372-06014	Skirt	14.20 / 172	-5	-1	50	10	13
		760-870				-7	-1			
		1575				-8	1			
		380-520				-6	0-1			
Whip Wideband	SMA(F)	760-870	02064303-05975	Skirt	14.20 / 150	-8	1	50	10	14
		1575				-8	1			
Whip Wideband FLAME RETARDENT	SMA(F)	380-520	02064303-05799	Skirt	14.2 / 150	-6	0-1	50	10	15
		760-870				-8	1			
		1575				-8	1			
		380-520				-6	0			
Whip Multi-band With LTE Band	SMA(F)	1575	02064344-05764	Skirt	14.2 / 140	-6	0	50	10	16
		2400-2700				-7	0			
Whip Wideband With LTE Bands	SMA(F)	698-960	02064367-06042	Skirt	14.2 / 95	-5	-1	50	10	17
		1710-2170				-6	1			
		2300-2700				-6	-1			
		380-520				-5	0			
Whip Multi-band With LTE Bands	SMA(F)	698-960	02064312-06050	Skirt	14.2 / 130	-6	0	50	10	18
		1710-2170				-5	0			
		2300-2700				-6	0			
		136-174				-3	-8			
Helical Tri-Band	SMA(F)	380-520	02064371-06083	Skirt	15.0 / 199	-6	-1	50	10	19
		1575				-6	-1			
Helical Tri-Band	SMA(F)	136-174	02064220-05742-1	Skirt	15.0 / 208	-3	-7	50	10	20
		762-870				-6	0			
		1573-1577				-6	-1			
		136-174				-3	-8			
Helical Tri-Band	SMA(F)	380-520	02064217-06056	Skirt	15.0 / 199	-6	-1	50	10	21
		760-870				-6	-1			

* The following parameters are the same for all above Ant. Part. No.: (1) Ant. color = Black. (2) Radiation Pattern = Omni Directional. (3) Polarization = Linear, Vertical. (4) Operation Temp.C.= (-30)-(+70). (5) Storage Temp.C.= (-40)-(+85).

Antenna Type	Connector	Frequency MHz	Galtronics Part No.	Interface Modifiable	Diameter / REF. Length mm	VSWR / Return - Loss dB (Typical)	Gain dBi (Typical)	Ohm	Watt	Click on Datasheet Page #
Helical ¼ W	¼"-32 UNEF-2A	UNCUT**	020682031B1159	Skirt	14.3 / 200	N/A	N/A	50	10	25
Helical ¼ W	¼"-26 TPI Stud	UNCUT**	02116031-04229	Skirt	16.7 / 204	N/A	N/A	50	10	■
Helical ¼ W	SMA(F)	136-151	02008097-2169	Skirt	15 / 190	-6	-9	50	10	26
	SMA(F)	151-162	020082079-2169		15 / 180	-6	-7	50	10	
	SMA(F)	162-174	02008092-2169		15 / 170	-6	-6	50	10	
	SMA(F)	UNCUT**	02008031-2169		15 / 206	N/A	N/A	50	10	
Helical ¼ W	SMA(F)	145-156	02-4082-15-126	Skirt	15 / 190	-5	-7	50	10	■
	SMA(F)	154-166	02-4082-16-126		15 / 180	-6	-6	50	10	■
	SMA(F)	163-175	02-4082-17-126		15 / 170	-6	-5	50	10	■
	SMA(F)	UNCUT**	02-4082-31-126		15 / 200	N/A	N/A	50	10	■
Helical ¼ W	SMA(F)	148-162	020642085B1135	Skirt	14.22 / 180	-5	-8	50	10	27
	SMA(F)	155-164	020642016B1135		14.22 / 170	-6	-7	50	10	
	SMA(F)	164-174	020642017B1135		14.22 / 160	-6	-5	50	10	
	SMA(F)	UNCUT**	020642031B1135		14.22 / 199	N/A	N/A	50	10	
Helical ¼ W	SMA(M)	136-151	020852097B2791	Exposed	15.8 / 165	-5	-9	50	7	28
	SMA(M)	UNCUT**	020852031B2791		15.8 / 190	N/A	N/A	50	7	
Helical ¼ W	TNC(M)	150-162	020052079B1134	Skirt	16.75 / 180	-6	-7	50	10	29
	TNC(M)	155-164	020052016B1134		16.75 / 180	-6	-7	50	10	
	TNC(M)	164-174	020052017B1134		16.75 / 160	-6	-5	50	10	
	TNC(M)	UNCUT**	020052031B1134		16.75 / 206	N/A	N/A	50	10	
Helical ¼ W	TNC(M)	150-162	020272079B1197	Exposed	16.6 / 166	-6	-7	50	10	30
Helical ¼ W	BNC(M)	127-138	020282012B1133	Skirt	16.75 / 210	-5	-10	50	10	31
	BNC(M)	136-144	020282013B1133		16.75 / 200	-5	-9	50	10	
	BNC(M)	144-148	020282014B1133		16.75 / 190	-6	-7	50	10	
	BNC(M)	148-155	020282015B1133		16.75 / 180	-6	-8	50	10	
	BNC(M)	150-162	020282079B1133		16.75 / 180	-6	-7	50	10	
	BNC(M)	155-164	020282016B1133		16.75 / 170	-6	-7	50	10	
	BNC(M)	160-165	020282088B1133		16.75 / 170	-6	-7	50	10	
	BNC(M)	164-174	020282017B1133		16.75 / 160	-6	-5	50	10	
	BNC(M)	UNCUT**	020282031B1133		16.75 / 206	N/A	N/A	50	10	
Helical ¼ W	BNC(M)	138	020-4012-13-583	Exposed	15 / 110	-6	-9	50	10	34
	BNC(M)	161.9	02-4012-88-583		15 / 110	-6	-7	50	10	
Helical ¼ W	BNC(M)	150-162	020012079B1147	Exposed	16.15 / 165	-6	-7	50	10	■
Helical VHF BB	SMA(F)	136-174	020642020-2395	Skirt	14.20 / 223	-4	-7	50	10	35
	SMA(F)	136-174	02064020-05797	Skirt	14.20 / 195	-4	-8	50	10	36
	SMA(M)	136-174	02015020B3618	Skirt	14.20 / 217	-4	-7	50	10	37
	SMA(M)	136-174	02015020-05797	Skirt	14.2 / 198	-4	-8	50	10	38

* UNCUT: Antenna supply UN CUT & separate cap ** The following parameters are the same for all above Ant. Part. No. (1) Ant. color = Black (2) Radiation Pattern = Omni Directional. (3) Polarization = Linear, Vertical. (4) Operation Temp.C.= (-30)-(+70). (5) Storage Temp.C.= (-40)-(+85).

Antenna Type	Connector	Frequency MHz	Galtronics Part No.	Interface Modifiable	Diameter / REF. Length mm	VSWR / Return - Loss dB (Typical)	Gain dBi (Typical)	Ohm	Watt	Click on Datasheet Page #
Helical ¼ W	¼ - 32 Stud	400-420	020682021B1138	Skirt	14.4 / 90	-6	0	50	10	41
	¼ - 32 Stud	450-470	020682023B1138		14.4 / 80	-7	1	50	10	
	¼ - 32 Stud	470-512	020682024B1138		14.4 / 75	-7	0	50	10	
	¼ - 32 Stud	UNCUT**	020682032B1138		14.4 / 148	N/A	N/A	50	10	
Helical ¼ W	SMA(F)	450-470	020642023B1152	Skirt	14.3 / 85	-7	1	50	10	42
	SMA(F)	UNCUT**	020642032B1152		14.3 / 148	N/A	N/A	50	10	
Helical ¼ W	SMA(M)	450-470	020152023B1141	Flush	14.40 / 87	-7	1	50	10	43
	SMA(M)	UNCUT**	020152032B1141		14.40 / 148	N/A	N/A	50	10	
Helical ¼ W	SMA(M)	400-450	020852083B2791	Exposed	15.8 / 86	-6	0	50	10	44
	SMA(M)	UNCUT**	020852032B2791		15.8 / 150	N/A	N/A	50	10	
Helical ¼ W	BNC(M)	450-470	020282023B1143	Skirt	16.52 / 75	-7	1	50	10	45
	BNC(M)	UNCUT**	020282032B1143		16.52 / 148	N/A	N/A	50	10	
Helical ¼ W	BNC(M)	318	02-4012-28-599	Exposed	15 / 75	-7	-2	50	10	46
	BNC(M)	433	02-4012-91-599		15 / 75	-10	0	50	10	
Whip ¼ W	¼"-32 Stud	400-420	020681021B1137	Skirt	14.20 / 155	-6	0	50	10	47
	¼"-32 Stud	420-450	020681022B1137		14.20 / 150	-6	1	50	10	
	¼"-32 Stud	422	020681091B1137		14.20 / 150	-7	1	50	10	
	¼"-32 Stud	450-470	020681023B1137		14.20 / 140	-7	1	50	10	
	¼"-32 Stud	470-512	020681024B1137		14.20 / 135	-6	0	50	10	
	¼"-32 Stud	UNCUT**	020681039B1137		14.20 / 194	N/A	N/A	50	10	
Whip ¼ W	SMA(F)	380-470	020641112-2172	Skirt	15.15 / 168	-5	0	50	10	49
	SMA(F)	403-512	020641025-2172		15.15 / 135	-6	0	50	10	
Whip ¼ W	SMA(F)	380-520	020641134B1144	Skirt	14.42 / 140	-6	1	50	10	50
	SMA(F)	450-470	020641023B1144		14.42 / 135	-5	0	50	10	
	SMA(F)	400-512	020641025B1144		14.42 / 150.6	-5	0	50	10	
	SMA(F)	UNCUT**	020641039B1144		14.42 / 194	N/A	N/A	50	10	
Whip ¼ W	SMA(M)	380-520	02015134-02423	Skirt	12.60 / 145	-5	0	50	10	51
	SMA(M)	UNCUT**	02015039-02423		12.60 / 200	N/A	N/A	50	10	
Whip ¼ W	SMA(M)	380-470	020151112B3842	Skirt	15.15 / 160	-5	0	50	10	52
	SMA(M)	440-520	020151203B3843		15.15 / 141	-5	1	50	10	
Whip ¼ W	SMA(M)	450-470	020151023B1139	Flush	14.30 / 140	-5	1	50	10	54
	SMA(M)	UNCUT**	020151039B1139		14.30 / 200	N/A	N/A	50	10	
Whip ¼ W	SMA(M)	380-420	020851138B2791	Exposed	15.80 / 165	-6	0	50	10	55
	SMA(M)	400-470	020851083B2791		15.80 / 150	-6	0	50	7	
	SMA(M)	450-520	020851393B2791		15.80 / 135	-6	0	50	10	
	SMA(M)	UNCUT**	020851039B2791		15.80 / 165	N/A	N/A	50	10	
Whip ¼ W	TNC(M)	400-470	020051023B1136	Skirt	16.75 / 150	-6	0	50	10	56
	TNC(M)	UNCUT**	020051039B1136		16.8 / 202	N/A	N/A	50	7	
Whip ¼ W	BNC(M)	450-470	020281023B1142	Skirt	16.80 / 145	-7	1	50	10	57
	BNC(M)	UNCUT**	020281039B1142		16.80 / 202	N/A	N/A	50	7	
Whip ¼ W	BNC(M)	318	02-4011-28-599	Exposed	15.20 / 180	-6	-1	50	10	58
	BNC(M)	434	02-4011-22-599		15.20 / 163	-7	1	50	10	

* UNCUT: Antenna supply UN CUT & separate cap ** The following parameters are the same for all above Ant. Part. No. (1) Ant. color = Black (2) Radiation Pattern = Omni Directional. (3) Polarization = Linear, Vertical. (4) Operation Temp.C.= (-30)-(+70). (5) Storage Temp.C.= (-40)-(+85).

Antenna Type	Connector	Frequency MHz	Galtronics Part No.	Interface Modifiable	Diameter / REF. Length mm	VSWR / Return - Loss dB (Typical)	Gain dBi (Typical)	Ohm	Watt	Click on Datasheet Page #
Whip ¼ W	SMA(F)	746-794	020641125B1144	Skirt	14.42 / 111	-6	0	50	10	61
	SMA(F)	806-870	020641041B1144		14.42 / 104	-6	1	50	10	
	SMA(F)	821-902	020641080B1144		14.42 / 91	-6	1	50	10	
	SMA(F)	UNCUT **	020641039B1144		14.42 / 195	N/A	N/A	50	10	
Whip ¼ W	SMA(M)	806-870	02015041-02423	Skirt	12.60 / 103	-5	1	50	10	62
	SMA(M)	900-930	02015061-02423		12.60 / 88	-5	1	50	10	
	SMA(M)	UNCUT **	02015039-02423		12.60 / 200	N/A	N/A	50	10	
Whip ¼ W	SMA(M)	746-787	020151125B1139	Flush	14.30 / 82	-5	0	50	10	63
	SMA(M)	821-902	020151080B1139		14.30 / 75	-5	1	50	10	
	SMA(M)	806-870	020151041B1139		14.30 / 98	-5	1	50	10	
	SMA(M)	902-960	020151081B1139		14.30 / 75	-5	1	50	10	
	SMA(M)	UNCUT **	020151039B1139		14.30 / 200	N/A	N/A	50	10	
Whip ¼ W	TNC(M)	824-894	020051046B1136	Skirt	16.75 / 80	-7	1	50	7	64
	TNC(M)	806-870	020051041B1136		16.75 / 80	-7	1	50	7	
	TNC(M)	UNCUT **	020051039B1136		16.75 / 202	N/A	N/A	50	7	
Whip ¼ W	BNC(M)	806-870	020281041B1142	Skirt	16.8 / 106	-7	1	50	7	65
	BNC(M)	1090	020281102B1142		16.8 / 75	-10	1	50	7	
	BNC(M)	UNCUT **	020281039B1142		16.8 / 202	N/A	N/A	50	7	
Whip ½ W	SMA(F)	760-870	020641115B3804	Skirt	15.15 / 184	-6	1	50	10	66
	SMA(F)	806-870	020641041-2171		15.15 / 180	-6	1	50	10	67
	SMA(F)	896-941	020641052-3094		15.15 / 173	-6	1	50	10	■
Whip ½ W	SMA(M)	763-870	020151115B3955	Exposed	15.2 / 194	-6	0	50	6	68
	SMA(M)	762-870	020851115B3256		15.3 / 183	-5	1	50	10	69
	SMA(M)	896-941	02085052-04037		15.3 / 175	-9	1	50	10	■
Whip ½ W	SMA(M)	806-870	02-6157-41-774	Skirt	12.7 / 195	-7	1	50	10	70
	SMA(M)	896-941	02-6157-52-774		12.7 / 185	-10	1	50	10	

* UNCUT: Antenna supply UN CUT & separate cap ** The following parameters are the same for all above Ant. Part. No. (1) Ant. color = Black (2) Radiation Pattern = Omni Directional. (3) Polarization = Linear, Vertical. (4) Operation Temp.C.= (-30)-(+70). (5) Storage Temp.C.= (-40)-(+85).

Multi-Wide Band

Selected Antenna Datasheets

Multi-Wide Band

VHF & VHF-BB Band

23

UHF-Band

39

700-900 MHz Band

59



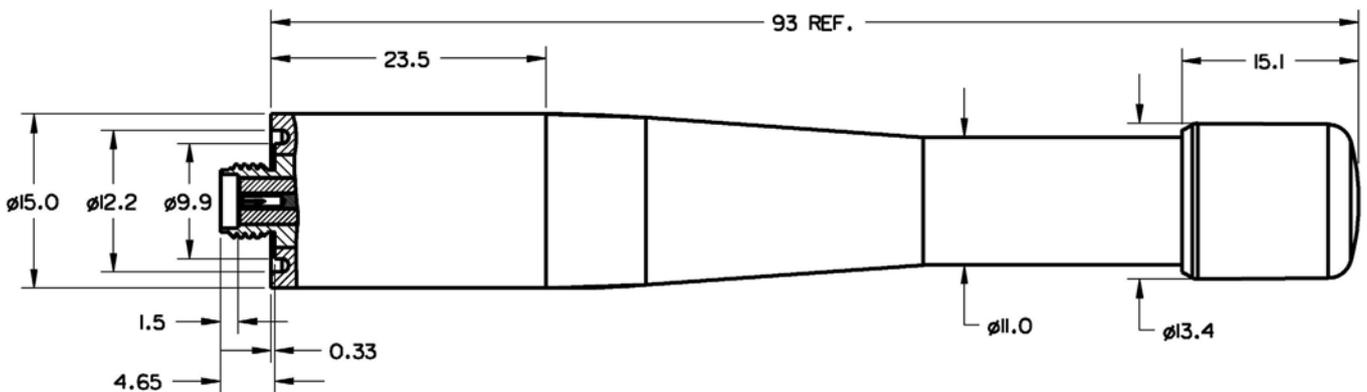
Helical Dual-Band Antenna

[SMA (F) Connector, 380-470 MHz/GPS]



Electrical Specifications		
Part Number	02064235-05715	
Frequency Band	380-470 MHz	GPS
Return Loss* (Typical)	-6 dB	-8 dB
Gain Peak* (Typical)	0 dBi	1 dBi
Connector Type	SMA (F), Skirt	
Polarization	Linear, Vertical	
Impedance (Nominal)	50 Ω	
Power (Maximum)	10 Watt	
Mechanical Specifications		
Antenna Length REF.	93 mm	
Operating Temperature	-30°C to +70°C	
Storage Temperature	-40°C to +85°C	
Environmental Conditions	Indoor / Outdoor	
Antenna weight	25g maximum	
RoHS	Compliant	
Color	Black	
Dimensions	According to drawing	

* Measured on a typical, LMP Radio





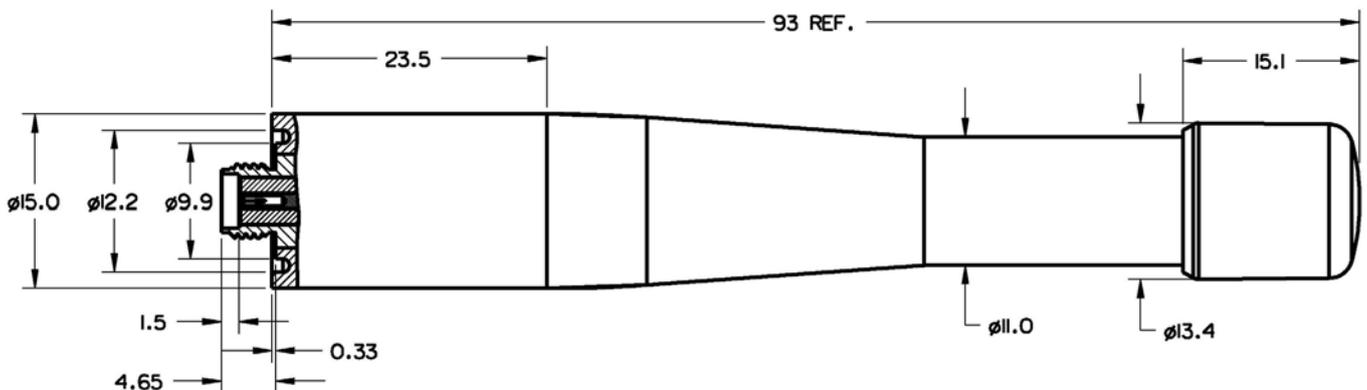
Helical Dual-Band Antenna

[SMA (F) Connector, 450-520 MHz/GPS]



Electrical Specifications	
Part Number	02064236-05715
Frequency Band	450-520 MHz / GPS
Return Loss* (Typical)	-8 dB
Gain Peak* (Typical)	1 dBi
Connector Type	SMA (F), Skirt
Polarization	Linear, Vertical
Impedance (Nominal)	50 Ω
Power (Maximum)	10 Watt
Mechanical Specifications	
Antenna Length REF.	93 mm
Operating Temperature	-30°C to +70°C
Storage Temperature	-40°C to +85°C
Environmental Conditions	Indoor / Outdoor
Antenna weight	25g maximum
RoHS	Compliant
Color	Black
Dimensions	According to drawing

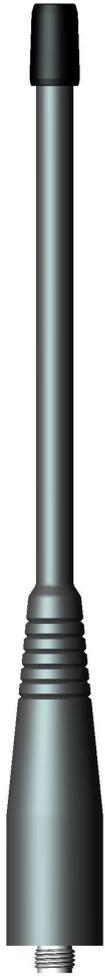
* Measured on a typical, LMP Radio





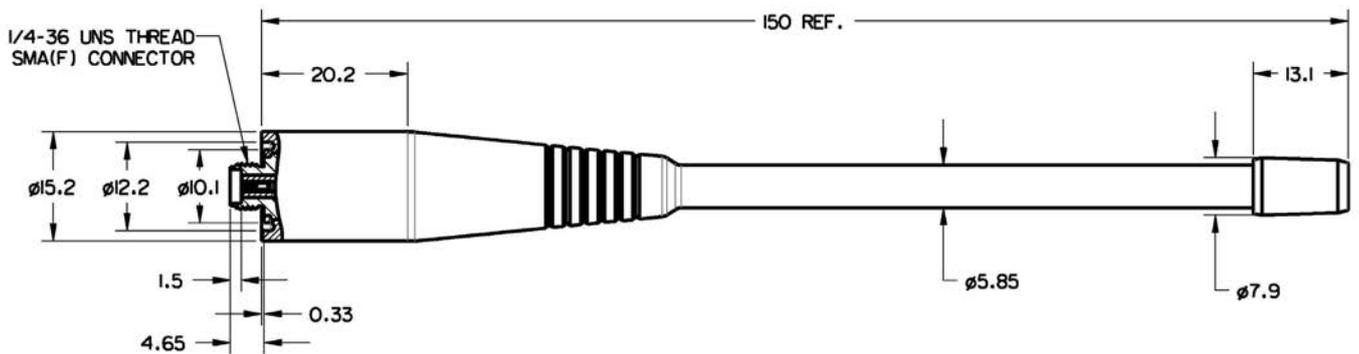
Whip Dual-Band Antenna

[SMA (F) Connector, 380-520 MHz/GPS]



Electrical Specifications		
Part Number	02064240-05714	
Frequency Band	380-520 MHz	GPS
Return Loss* (Typical)	-6 dB	-10 dB
Gain Peak* (Typical)	0 dBi	1 dBi
Connector Type	SMA (F), Skirt	
Polarization	Linear, Vertical	
Impedance (Nominal)	50 Ω	
Power (Maximum)	10 Watt	
Mechanical Specifications		
Antenna Length REF.	150 mm	
Operating Temperature	-30°C to +70°C	
Storage Temperature	-40°C to +85°C	
Environmental Conditions	Indoor / Outdoor	
Antenna weight	22g maximum	
RoHS	Compliant	
Color	Black	
Dimensions	According to drawing	

* Measured on a typical, LMP Radio





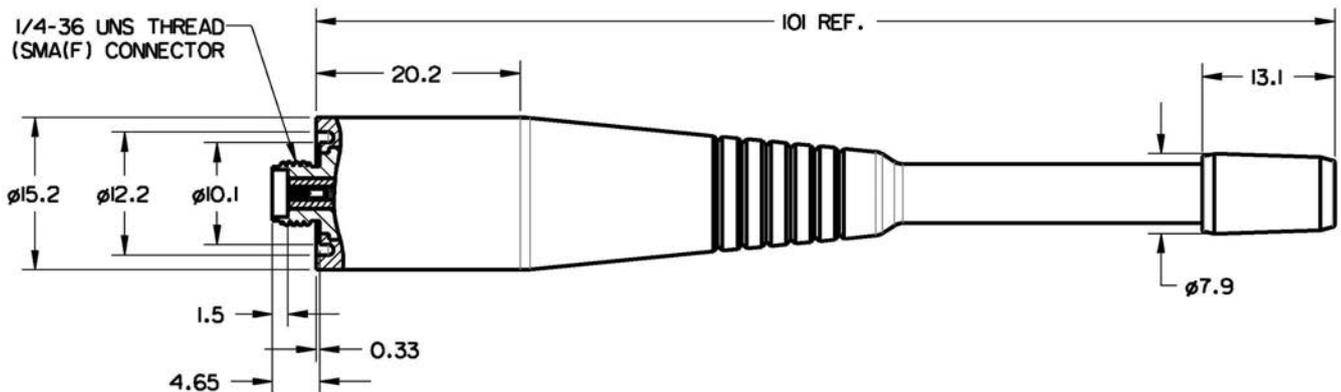
Whip Dual-Band Antenna

[SMA (F) Connector, 760-870 MHz/GPS]



Electrical Specifications		
Part Number	02064245-05713	
Frequency Band	760-870 MHz	GPS
Return Loss* (Typical)	-7 dB	-7 dB
Gain Peak* (Typical)	0 dBi	1 dBi
Connector Type	SMA (F), Skirt	
Polarization	Linear, Vertical	
Impedance (Nominal)	50 Ω	
Power (Maximum)	10 Watt	
Mechanical Specifications		
Antenna Length REF.	101mm	
Operating Temperature	-30°C to +70°C	
Storage Temperature	-40°C to +85°C	
Environmental Conditions	Indoor / Outdoor	
Antenna weight	15g maximum	
RoHS	Compliant	
Color	Black	
Dimensions	According to drawing	

* Measured on a typical, LMP Radio





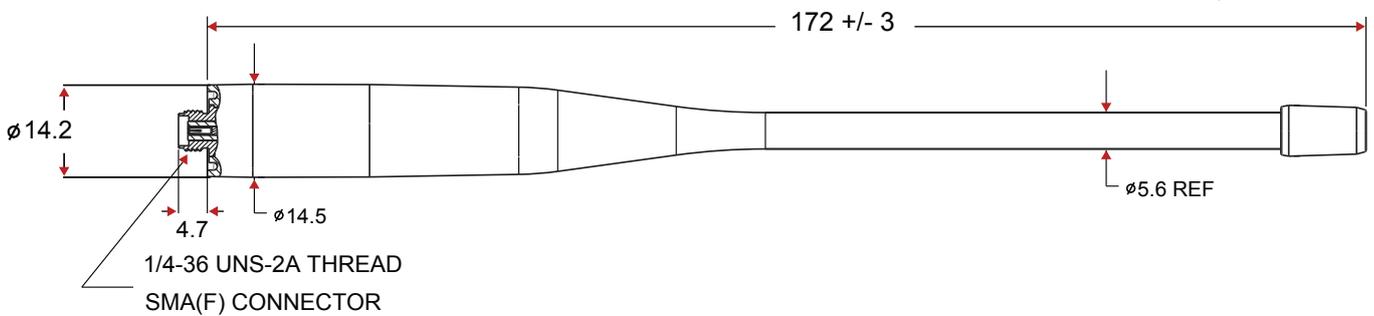
Whip 1/2 Wave Wideband Antenna

SMA (F) Connector, [350-520 / 760-870 MHz / GPS]

Patent Pending

Electrical Specifications			
Part Number	02064372-06014		
Frequency Band	350-520 MHz	760-870 MHz	GPS-1575 MHz
Return Loss* (Typical)	-5 dB	-7 dB	-8 dB
Gain Peak* (Typical)	-1 dBi	-1 dBi	1 dBi
Connector Type	SMA (F), Skirt		
Polarization	Linear, Vertical		
Impedance (Nominal)	50 Ω		
Power (Maximum)	10 Watt		
Mechanical Specifications			
Antenna Length REF.	172 mm		
Operating Temperature	-30°C to +70°C		
Storage Temperature	-40°C to +85°C		
Environmental Conditions	Indoor / Outdoor		
Antenna weight	37g maximum		
RoHS	Compliant		
Color	Black		
Dimensions	According to drawing		

* Measured on a typical, LMP Radio





Whip Wideband Antenna

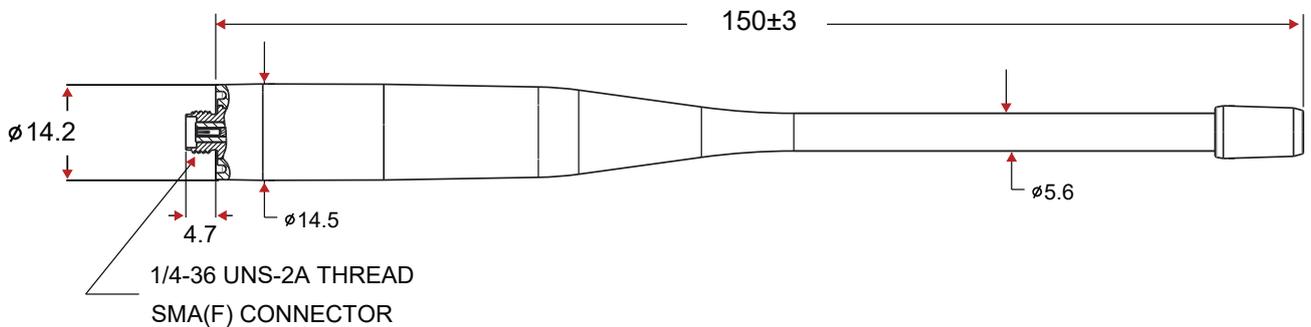
[SMA (F) Connector, UHF/700-800MHz/GPS]

Patent Pending



Electrical Specifications			
Part Number	02064303-05975		
Frequency Band	380-520 MHz	760-870 MHz	GPS
Return Loss* (Typical)	-6 dB	-8 dB	-8 dB
Gain Peak* (Typical)	0-1 dBi	1 dBi	1 dBi
Connector Type	SMA (F), Skirt		
Polarization	Linear, Vertical		
Impedance (Nominal)	50 Ω		
Power (Maximum)	10 Watt		
Mechanical Specifications			
Antenna Length REF.	150 mm		
Operating Temperature	-30°C to +70°C		
Storage Temperature	-40°C to +85°C		
Environmental Conditions	Indoor / Outdoor		
Antenna weight	32g maximum		
RoHS	Compliant		
Color	Black		
Dimensions	According to drawing		

* Measured on a typical, LMP Radio





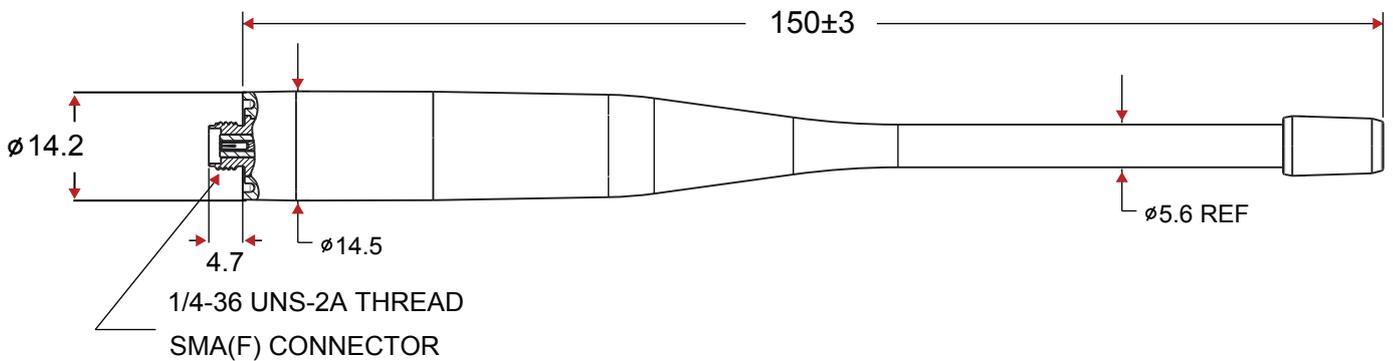
Whip Wideband Antenna

SMA (F) Connector, [380-520 / 760-870 MHz / GPS]

Patent Pending, **FLAME RETARDANT**

Electrical Specifications			
Part Number	02064303-05799		
Frequency Band	380-520 MHz	760-870 MHz	GPS-1575 MHz
Return Loss* (Typical)	-6 dB	-8 dB	-8 dB
Gain Peak* (Typical)	0-1 dBi	1 dBi	1 dBi
Connector Type	SMA (F), Skirt		
Polarization	Linear, Vertical		
Impedance (Nominal)	50 Ω		
Power (Maximum)	10 Watt		
Mechanical Specifications			
Flammability Rating	UL94: V-0		
Operating Temperature	-30°C to +70°C		
Storage Temperature	-40°C to +85°C		
Environmental Conditions	Indoor / Outdoor		
Antenna weight	32g maximum		
RoHS	Compliant		
Color	Black		
Dimensions	According to drawing		

* Measured on a typical, LMP Radio





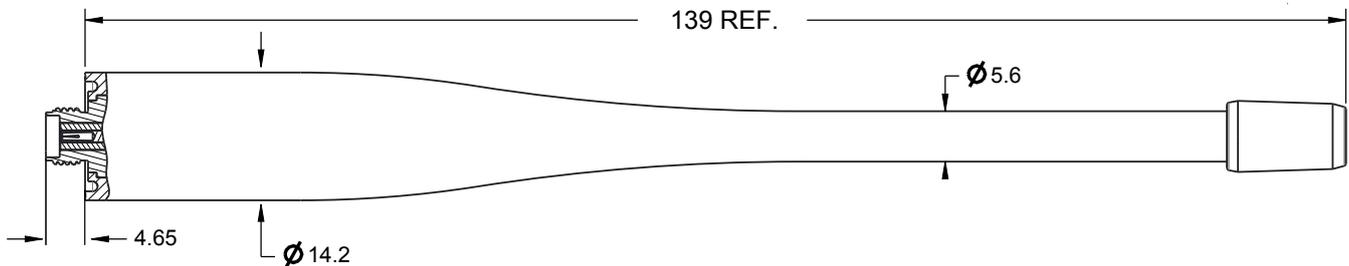
Whip Multi-Band Antenna

[SMA (F) Connector, 380-520 | 1575 | 2400-2700 MHz]

WITH LTE BAND

Electrical Specifications			
Part Number	02064344-05764		
Frequency Band	380-520 MHz	1575 MHz	2400-2700 MHz
Return Loss* (Typical)	-6 dB	-6 dB	-7 dB
Gain Peak* (Typical)	0 dBi	0 dBi	0 dBi
Connector Type	SMA (F), Skirt		
Polarization	Linear, Vertical		
Impedance (Nominal)	50 Ω		
Power (Maximum)	10 Watt		
Mechanical Specifications			
Antenna Length REF.	139 mm		
Operating Temperature	-30°C to +70°C		
Storage Temperature	-40°C to +85°C		
Environmental Conditions	Indoor / Outdoor		
Antenna weight	22g maximum		
RoHS	Compliant		
Color	Black		
Dimensions	According to drawing		

* Measured on a typical, LMP Radio





Whip Wideband Antenna

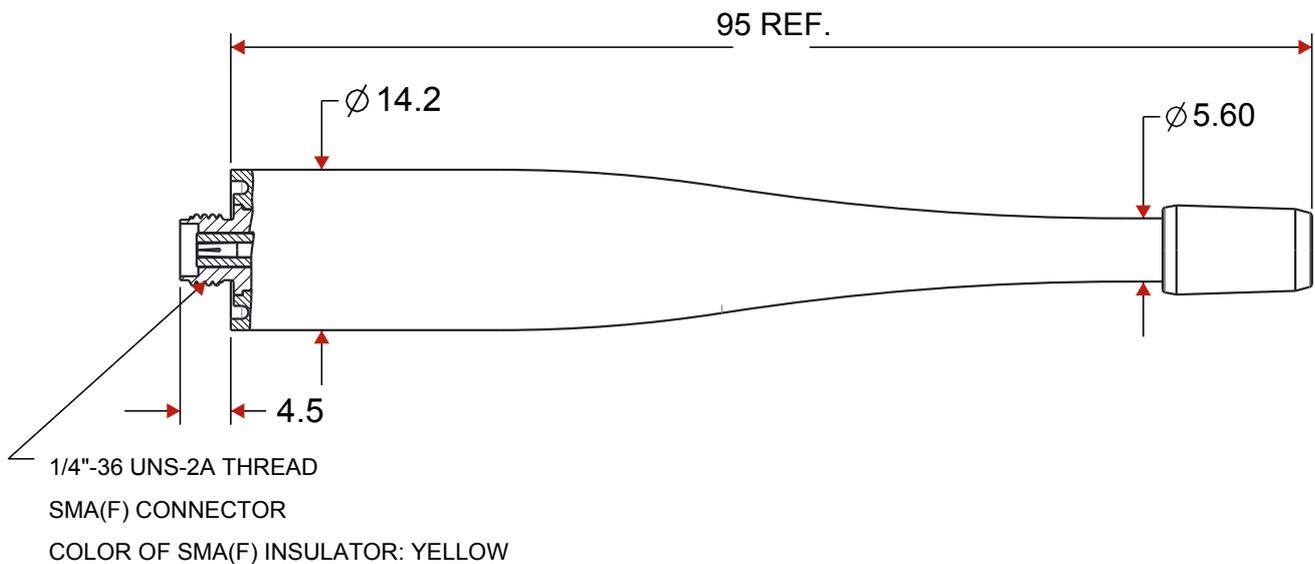
SMA (F) Connector,
[698-960 / 1710-2170 / 2300-2700 MHz]

WITH LTE BANDS



Electrical Specifications			
Part Number	02064367-06042		
Frequency Band	698-960 MHz	1710-2170 MHz	2300-2700 MHz
Return Loss* (Typical)	-5 dB max.	-6 dB max.	-6 dB
Efficiency Typical (in free space) (*)	60%	50%	40%
Gain Peak* (Typical)	0-1 dBi	1 dBi0 dBi	-1 dBi
Connector Type	SMA (F) , Skirt		
Polarization	Linear, Vertical		
Impedance (Nominal)	50 Ω		
Power (Maximum)	10 Watt		
Mechanical Specifications			
Antenna Length REF.	95 mm		
Operating Temperature	-30°C to +70°C		
Storage Temperature	-40°C to +85°C		
Environmental Conditions	Indoor / Outdoor		
Antenna weight	32g maximum		
RoHS	Compliant		
Color	Black		
Dimensions	According to drawing		

* Measured on a typical, LMP Radio





Whip Multi-band Antenna

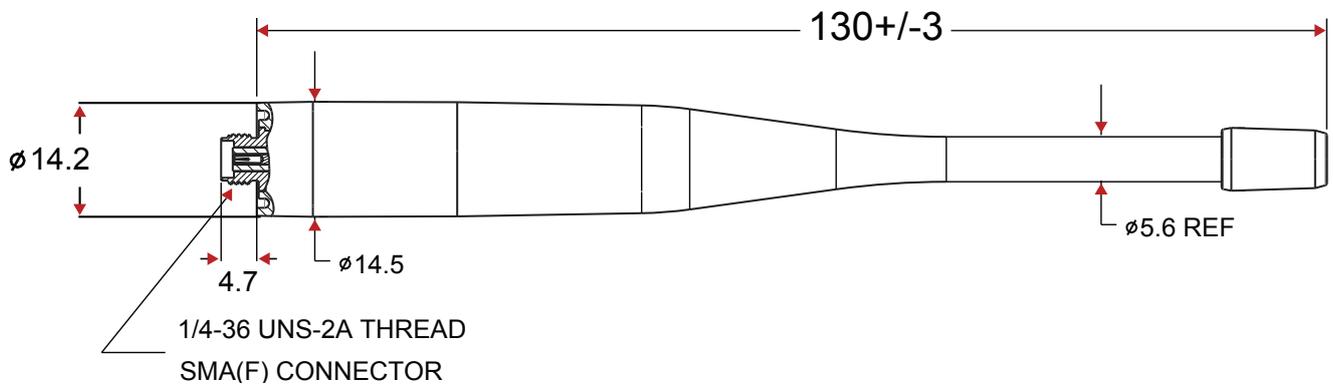
SMA (F) Connector,
[380-520 / 698-960 / 1710-2170 / 2300-2700 MHz]
Patent Pending **WITH LTE BANDS**



Electrical Specifications				
Part Number	02064312-06050			
Frequency Band	380-520 MHz	698-960 MHz	1710-2170 MHz	2300-2700 MHz
Return Loss* (Typical)	-5.0 dB	-6.0 dB	-5.0 dB**	-6.0 dB**
Efficiency Typical (in free space) (*)	50%	50%	40%	40%
Gain Peak* (Typical)	0 dBi	0 dBi	0 dBi	0 dBi
Connector Type	SMA (F) , Skirt			
Polarization	Linear, Vertical			
Impedance (Nominal)	50 Ω			
Power (Maximum)	10 Watt			
Mechanical Specifications				
Antenna Length REF.	130 mm			
Operating Temperature	-30°C to +70°C			
Storage Temperature	-40°C to +85°C			
Environmental Conditions	Indoor / Outdoor			
Antenna weight	37g maximum			
RoHS	Compliant			
Color	Black			
Dimensions	According to drawing			

* Measured on a typical, LMP Radio

** Allow Return Loss degradation of 1 dB in extreme operation temperatures





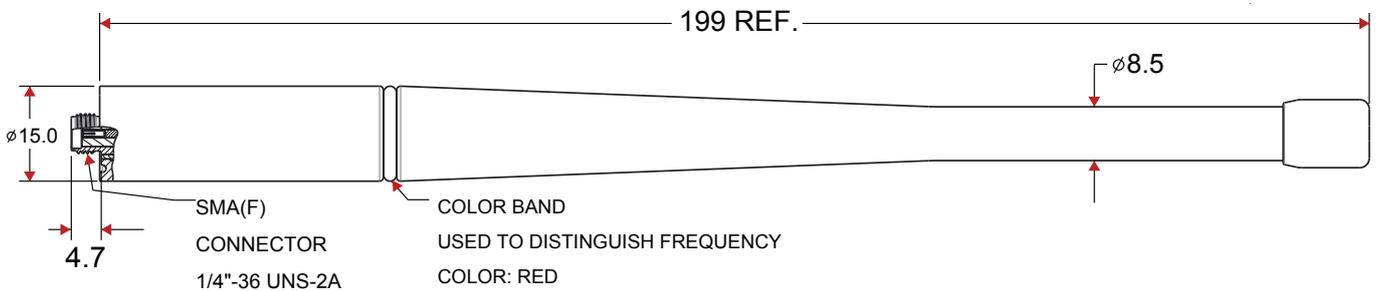
Helical Tri-Band Antenna

SMA (F) Connector, [136-174 / 380-520 MHz / GPS]
Patent Pending



Electrical Specifications			
Part Number	02064371-06083		
Frequency Band	136-174 MHz	380-520 MHz	1575 MHz
Return Loss* (Typical)	-3 dB	-6 dB	-6 dB
Gain Peak* (Typical)	-8 dBi	-1 dBi	-1 dBi
Connector Type	SMA (F), Skirt		
Polarization	Linear, Vertical		
Impedance (Nominal)	50 Ohm		
Power (Maximum)	10 Watt		
Mechanical Specifications			
Antenna Length REF.	199 mm		
Operating Temperature	-30°C to +70°C		
Storage Temperature	-40°C to +85°C		
Environmental Conditions	Indoor / Outdoor		
Antenna weight	40g maximum		
RoHS	Compliant		
Color	Black		
Dimensions	According to drawing		

* Measured on a typical, LMP Radio





Helical Tri-Band Antenna

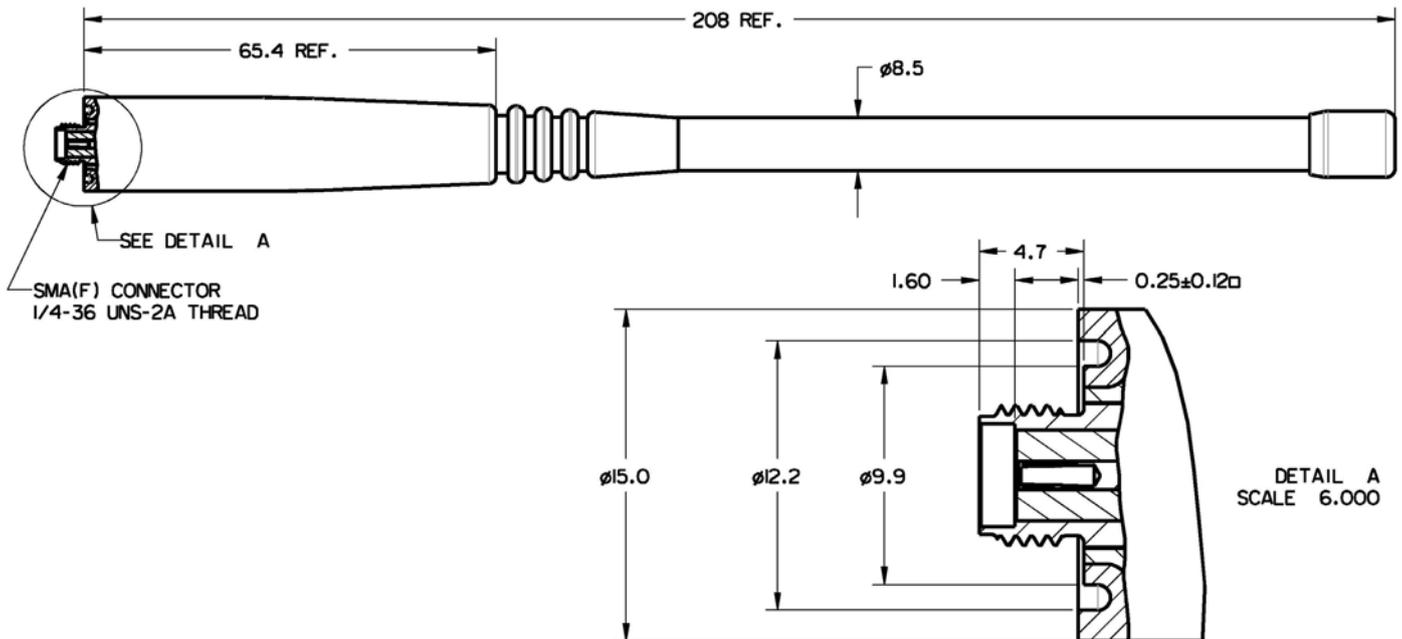
SMA(F) Connector

[136-174 MHz, 762-870 MHz, 1573-1577 MHz]

* Patent Pending

Electrical Specifications			
Part Number	02064220-05742-1		
Frequency Band	136-174 MHz	762-870 MHz	1573-1577 MHz
Return Loss* (Typical)	-3dB max.	-6dB max. with 800 MHz choke	-6dB max. with GPS choke
Gain Peak* (Typical)	-7 dBi	0 dBi in azimuth plane $\pm 30^\circ$	-1 dBi
Connector Type	SMA (F), Skirt		
Polarization	Linear, Vertical		
Impedance (Nominal)	50 Ohm		
Power (Maximum)	10 Watt		
Mechanical Specifications			
Antenna Length REF.	208 mm		
Operating Temperature	-30°C to +70°C		
Storage Temperature	-40°C to +85°C		
Environmental Conditions	Indoor / Outdoor		
Antenna weight	40g maximum		
RoHS	Compliant		
Color	Black		
Dimensions	According to drawing		

* Measured on a typical, LMP Radio



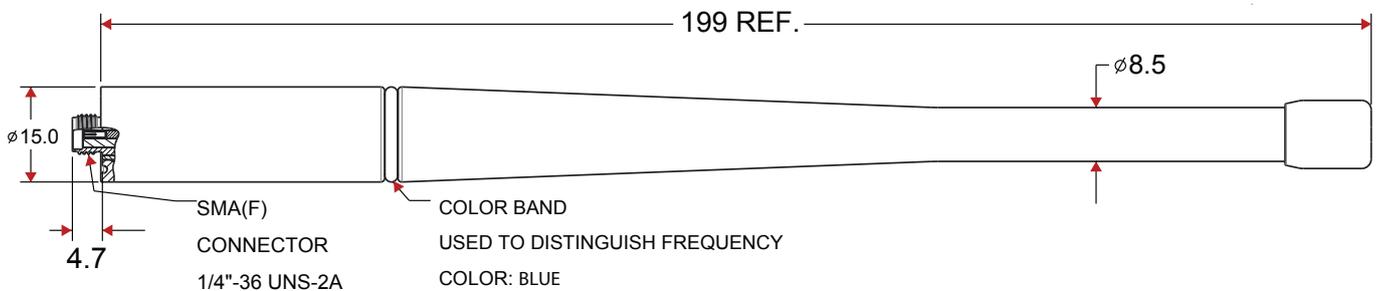


Helical Tri-Band Antenna

SMA (F) Connector, [136-174 / 380-520 / 760-870 MHz]
Patent Pending

Electrical Specifications			
Part Number	02064217-06056		
Frequency Band	136-174 MHz	380-520 MHz	760-870 MHz
Return Loss* (Typical)	-3 dB	-6 dB	-6 dB
Gain Peak* (Typical)	-8 dBi	-1 dBi	-1 dBi
Connector Type	SMA (F), Skirt		
Polarization	Linear, Vertical		
Impedance (Nominal)	50 Ohm		
Power (Maximum)	10 Watt		
Mechanical Specifications			
Antenna Length REF.	199 mm		
Operating Temperature	-30°C to +70°C		
Storage Temperature	-40°C to +85°C		
Environmental Conditions	Indoor / Outdoor		
Antenna weight	40g maximum		
RoHS	Compliant		
Color	Black		
Dimensions	According to drawing		

* Measured on a typical, LMP Radio



7

VHF & VHF-BB Band

Selected Antenna Datasheets

39

59

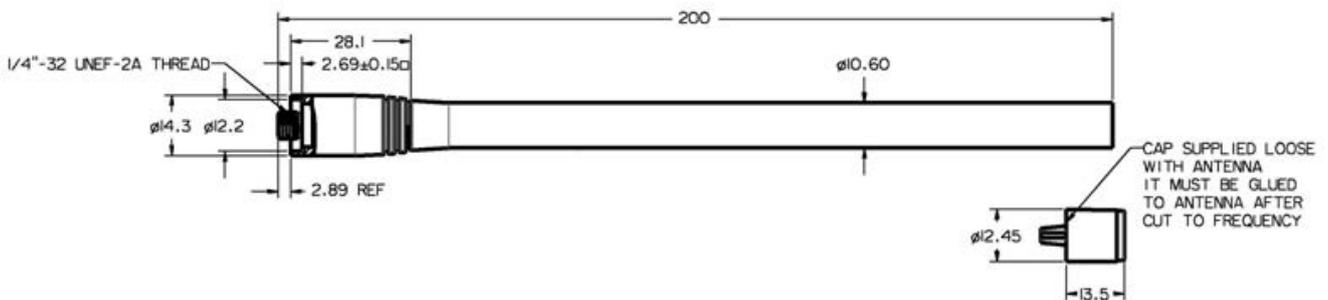


Helical 1/4 Wave Antenna

[1/4-32 UNEF STUD Connector, UNCUT]

Electrical Specifications	
Part Number	020682031B1159
Frequency Band	150-162 MHz
Return Loss (in free space) (*)	N/A
Gain Peak (in free space) (*)	N/A
Connector Type	1/4-32 UNEF STUD, Skirt
Polarization	Linear, Vertical
Impedance (Nominal)	50 Ohm
Maximum Power	10 WATT
Mechanical Specifications	
Operating Temperature	-30°C to +70°C
Storage Temperature	-40°C to +85°C
Environmental Conditions	Indoor / Outdoor
Antenna weight	43g maximum
RoHS	Compliant
Color	Black
Antenna Length, REF	200 mm
Dimensions	According to drawing

* Measured on a typical, LMP Radio



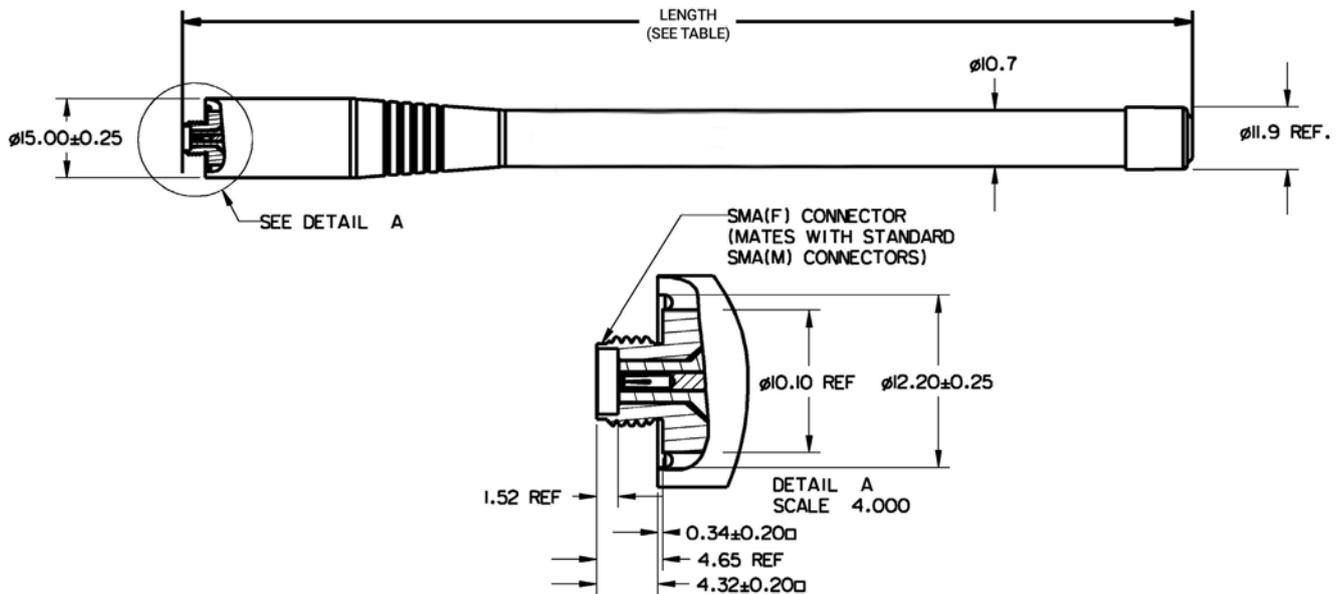


Helical 1/4 Wave Antenna

[SMA (F) Connector, 136-151/151-162/162-174 MHz]

Electrical Specifications				
Part Number	020082097-2169	020082079-2169	020082092-2169	020082031-2169
Frequency Band	136-151 MHz	151-162 MHz	162-174 MHz	Uncut
Return Loss* (Typical)	-5 dB	-6 dB	-5 dB	N/A
Gain Peak* (Typical)	-8 dBi	-7 dBi	-6 dBi	N/A
Connector Type	SMA(F), Skirt			
Polarization	Linear, Vertical			
Impedance (Nominal)	50 Ohm			
Maximum Power	10 WATT			
Mechanical Specifications				
Color Code	Black	Blue	Yellow	None
Antenna Length REF.	180 mm	170 mm	190 mm	200 mm
Operating Temperature	-30°C to +70°C			
Storage Temperature	-40°C to +85°C			
Environmental Conditions	Indoor / Outdoor			
Antenna weight	36g maximum			
RoHS	Compliant			
Color	Black			
Dimensions	According to drawing			

* Measured on a typical, LMP Radio





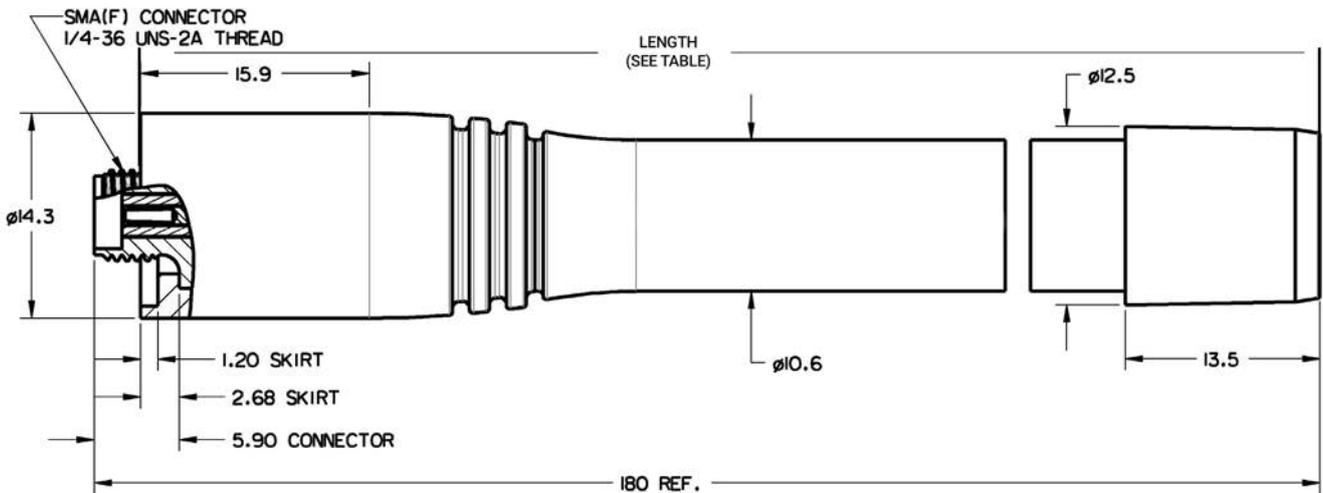
Helical 1/4 Wave Antenna

[SMA (F) Connector, VHF]



Electrical Specifications				
Part Number	02064085B1135	02064016B1135	02064017B1135	02064031B1135
Frequency Band	148-162 MHz	155-164 MHz	164-174 MHz	Uncut
Return Loss* (Typical)	-5 dB max.	-6 dB max.	-6 dB max.	N/A
Gain Peak* (Typical)	-8 dBi	-7 dBi	-5 dBi	N/A
Connector Type	SMA(F), Skirt			
Polarization	Linear, Vertical			
Impedance (Nominal)	50 Ohm			
Maximum Power	10 WATT			
Mechanical Specifications				
Antenna Length REF.	180 mm	170 mm	190 mm	200 mm
Operating Temperature	-30°C to +70°C			
Storage Temperature	-40°C to +85°C			
Environmental Conditions	Indoor / Outdoor			
Antenna weight	34g maximum			
RoHS	Compliant			
Color	Black			
Dimensions	According to drawing			

* Measured on a typical, LMP Radio



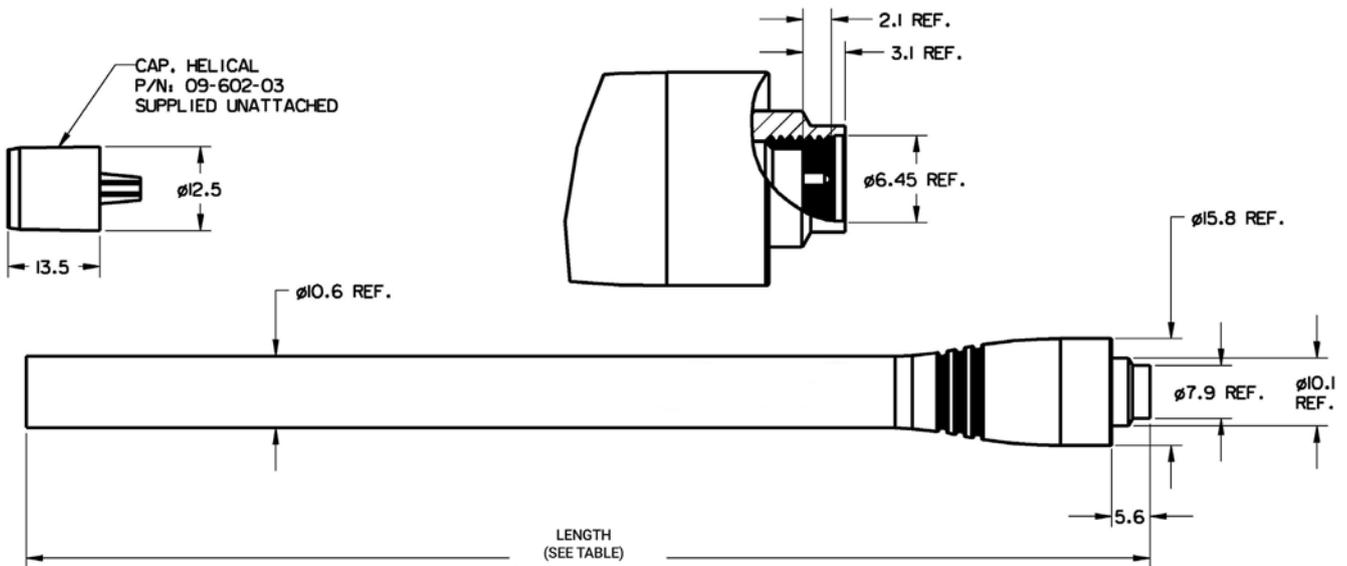


Helical 1/4 Wave Antenna

[SMA (M) Connector, VHF]

Electrical Specifications		
Part Number	020852097B2791	020852031B2791
Frequency Band	136-151 MHz	Uncut
Return Loss* (Typical)	-5 dB max.	N/A
Gain Peak* (Typical)	-9 dBi	N/A
Connector Type	SMA(M), Exposed	
Polarization	Linear, Vertical	
Impedance (Nominal)	50 Ohm	
Maximum Power	10 WATT	
Mechanical Specifications		
Antenna Length REF.	165 mm	190 mm
Operating Temperature	-30°C to +70°C	
Storage Temperature	-40°C to +85°C	
Environmental Conditions	Indoor / Outdoor	
Antenna weight	35g maximum	
RoHS	Compliant	
Color	Black	
Dimensions	According to drawing	

* Measured on a typical, LMP Radio



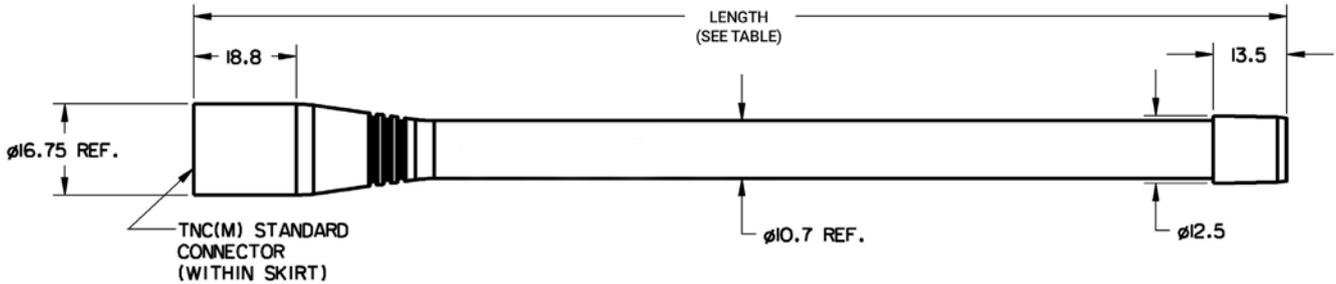


Helical 1/4 Wave Antenna

[TNC(M) Connector, VHF]

Electrical Specifications				
Part Number	020052079B1134	020052016B1134	020052017B1134	020052031B1134
Frequency Band	150-162 MHz	155-164 MHz	164-174 MHz	Uncut
Return Loss* (Typical)	-6 dB max.	-6 dB max.	-6 dB max.	N/A
Gain Peak* (Typical)	-7 dBi	-7 dBi	-5 dBi	N/A
Connector Type	TNC(M), Skirt			
Polarization	Linear, Vertical			
Impedance (Nominal)	50 Ohm			
Maximum Power	10 WATT			
Mechanical Specifications				
Color Code	Black	Blue	Yellow	None
Antenna Length REF.	180 mm	180 mm	160 mm	206 mm
Operating Temperature	-30°C to +70°C			
Storage Temperature	-40°C to +85°C			
Environmental Conditions	Indoor / Outdoor			
Antenna weight	44g maximum			
RoHS	Compliant			
Color	Black			
Dimensions	According to drawing			

* Measured on a typical, LMP Radio





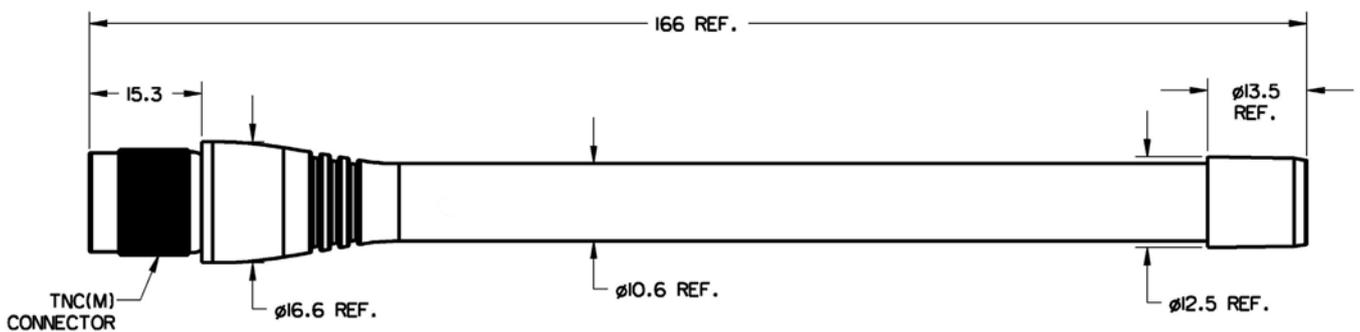
Helical 1/4 Wave Antenna

[TNC(M) Connector, 150-162 MHz]



Electrical Specifications	
Part Number	020272079B1197
Frequency Band	150-162 MHz
Return Loss (in free space) (*)	-6 dB max.
Gain Peak (in free space) (*)	-7 dBi
Connector Type	TNC (M), Exposed
Polarization	Vertical
Impedance (Nominal)	50 Ohm
Maximum Power	10 WATT
Mechanical Specifications	
Operating Temperature	-30°C to +70°C
Storage Temperature	-40°C to +85°C
Environmental Conditions	Indoor / Outdoor
Antenna weight	42g maximum
RoHS	Compliant
Color	Black
Antenna Length, REF	166 mm
Dimensions	According to drawing

* Measured on a typical, LMP Radio





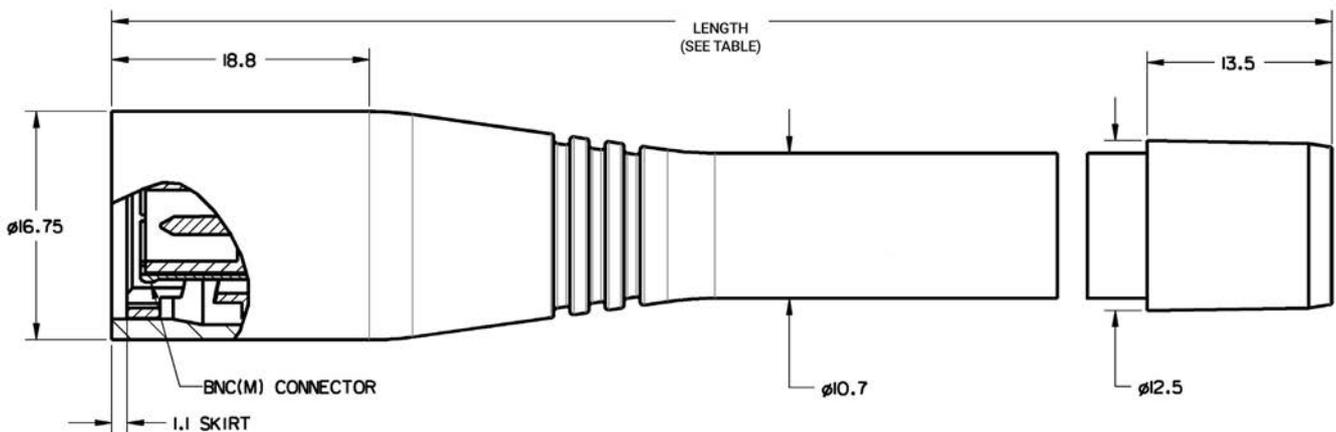
Helical 1/4 Wave Antenna

[BNC(M) Connector, UHF]



Electrical Specifications			
Part Number	020282012B1133	020282013B1133	020282014B1133
Frequency Band	127-138 MHz	136-144 MHz	144-148 MHz
Return Loss* (Typical)	-5 dB max.	-5 dB max.	-6 dB max.
Gain Peak* (Typical)	-10 dBi	-9 dBi	-7 dBi
Connector Type	BNC(M), Skirt		
Polarization	Linear, Vertical		
Impedance (Nominal)	50 Ohm		
Maximum Power	10 WATT		
Mechanical Specifications			
Antenna Length REF.	210 mm	200 mm	190 mm
Operating Temperature	-30°C to +70°C		
Storage Temperature	-40°C to +85°C		
Environmental Conditions	Indoor / Outdoor		
Antenna weight	43g maximum		
RoHS	Compliant		
Color	Black		
Dimensions	According to drawing		

* Measured on a typical, LMP Radio



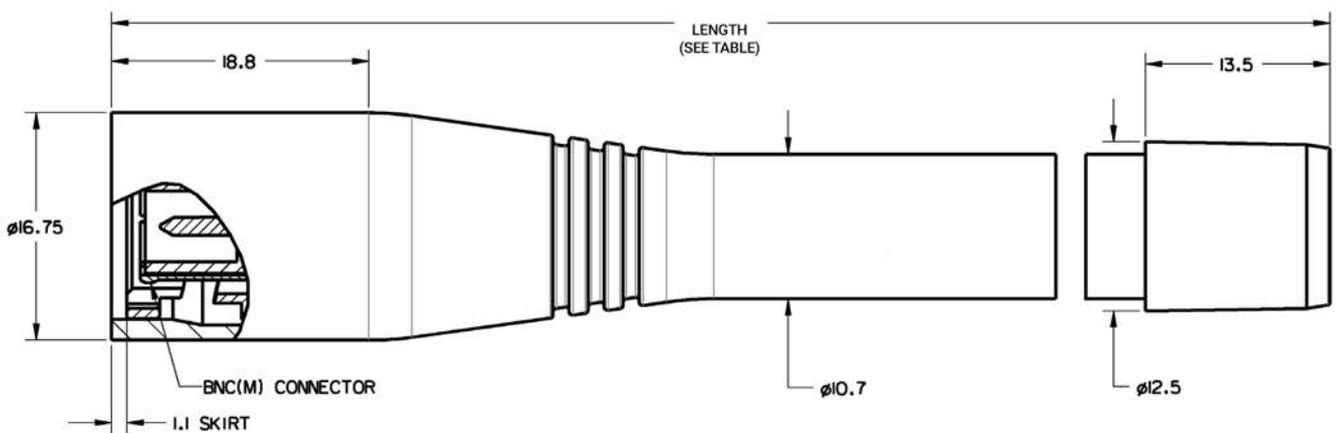


Helical 1/4 Wave Antenna

[BNC(M) Connector, VHF]

Electrical Specifications			
Part Number	020282015B1133	020282079B1133	020282016B1133
Frequency Band	148-155 MHz	150-162 MHz	155-164 MHz
Return Loss Typical (in free space) (*)	-6 dB max.	-6 dB max.	-6 dB max.
Gain Peak Typical (in free space) (*)	-8 dBi	-7 dBi	-7 dBi
Connector Type	BNC(M), Skirt		
Polarization	Linear, Vertical		
Impedance (Nominal)	50 Ohm		
Maximum Power	10 WATT		
Mechanical Specifications			
Antenna Length REF.	180 mm	180 mm	170 mm
Operating Temperature	-30°C to +70°C		
Storage Temperature	-40°C to +85°C		
Environmental Conditions	Indoor / Outdoor		
Antenna weight	43g maximum		
RoHS	Compliant		
Color	Black		
Dimensions	According to drawing		

* Measured on a typical, LMP Radio



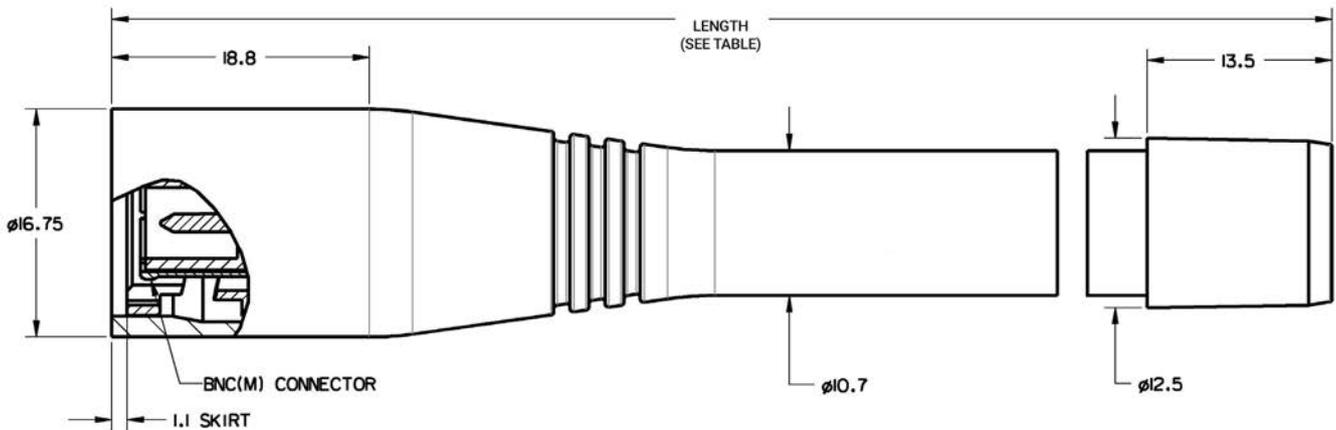


Helical 1/4 Wave Antenna

[BNC(M) Connector, VHF]

Electrical Specifications			
Part Number	020282088B1133	020282017B1133	020282031B1133
Frequency Band	160-165 MHz	164-174 MHz	UNCUT
Return Loss Typical (in free space) (*)	-6 dB max.	-6 dB max.	N/A
Gain Peak Typical (in free space) (*)	-7 dBi	-5 dBi	N/A
Connector Type	BNC(M), Skirt		
Polarization	Linear, Vertical		
Impedance (Nominal)	50 Ohm		
Maximum Power	10 WATT		
Mechanical Specifications			
Antenna Length REF.	170 mm	160 mm	206 mm
Operating Temperature	-30°C to +70°C		
Storage Temperature	-40°C to +85°C		
Environmental Conditions	Indoor / Outdoor		
Antenna weight	43g maximum		
RoHS	Compliant		
Color	Black		
Dimensions	According to drawing		

* Measured on a typical, LMP Radio



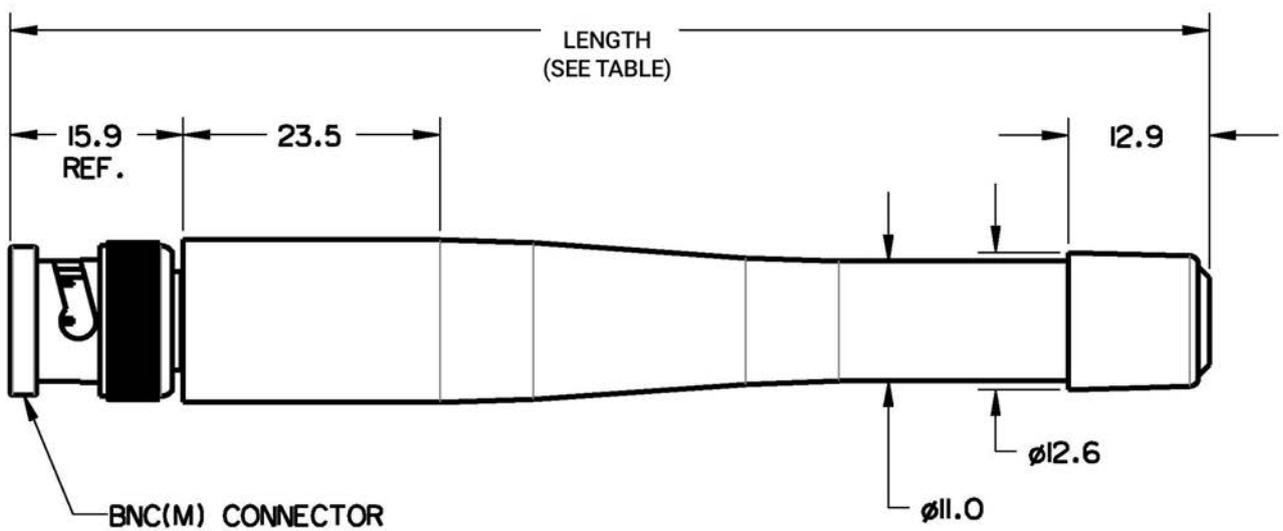


Helical 1/4 Wave Antenna

[BNC(M) Connector, VHF]

Electrical Specifications		
Part Number	02-4012-13-583	02-4012-88-583
Frequency Band	138 MHz	161.9 MHz
Return Loss* (Typical)	-56dB max.	-56dB max.
Gain Peak* (Typical)	-9 dBi	-7 dBi
Connector Type	BNC(M), Exposed	
Polarization	Linear, Vertical	
Impedance (Nominal)	50 Ohm	
Maximum Power	10 WATT	
Mechanical Specifications		
Antenna Length REF.	110 mm	
Operating Temperature	-30°C to +70°C	
Storage Temperature	-40°C to +85°C	
Environmental Conditions	Indoor	
Antenna weight	26g maximum	
RoHS	Compliant	
Color	Black	
Dimensions	According to drawing	

* Measured on a typical, LMP Radio





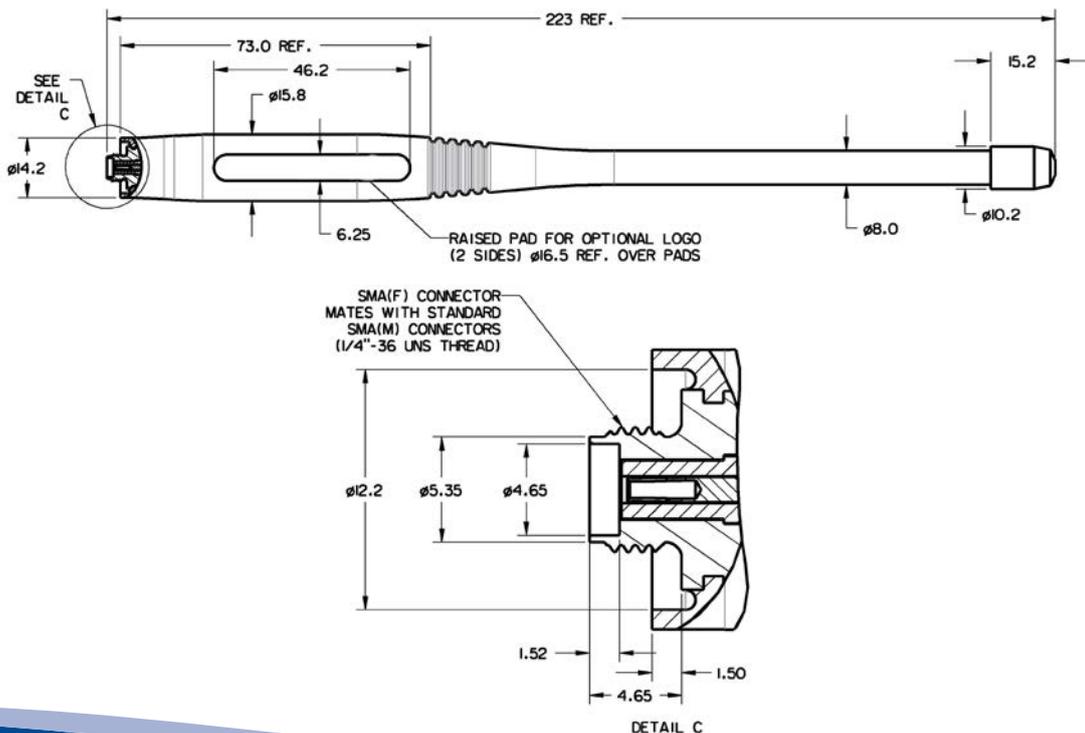
Helical VHF Broadband Antenna

[SMA(F) Connector, 136-174 MHz]

PATENT ISSUED

Electrical Specifications	
Part Number	020642020-2395
Frequency Band	136-174 MHz
Return Loss (in free space) (*)	-4 dB max.
Gain Peak (in free space) (*)	-7 dBi
Connector Type	SMA(F) Std, Skirt
Polarization	Vertical
Impedance (Nominal)	50 Ohm
Maximum Power	10 WATT
Mechanical Specifications	
Operating Temperature	-30°C to +70°C
Storage Temperature	-40°C to +85°C
Environmental Conditions	Indoor / Outdoor
Antenna weight	45g maximum
RoHS	Compliant
Color	Black
Antenna Length, REF	223 mm
Dimensions	According to drawing

* Measured on a typical, LMP Radio





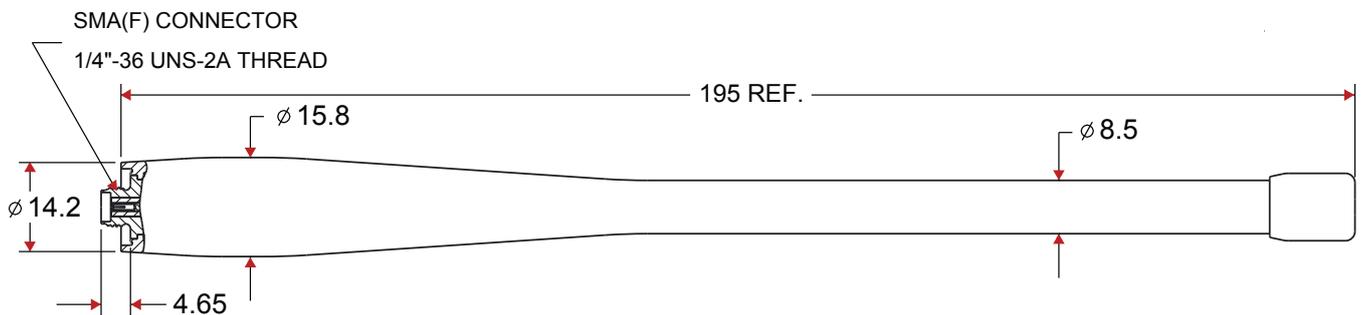
Helical VHF Broadband Antenna

[SMA (F) Connector, 136-174 MHz]

Electrical Specifications	
Part Number	02064020-05797
Frequency Band	136-174 MHz
Return Loss (in free space) (*)(**)	-4 dB max.
Gain Peak (in free space) (*)	-8 dBi
Connector Type	SMA(F), Skirt
Polarization	Linear, Vertical
Impedance (Nominal)	50 Ohm
Maximum Power	10 WATT
Mechanical Specifications	
Operating Temperature	-30°C to +70°C
Storage Temperature	-40°C to +85°C
Environmental Conditions	Indoor / Outdoor
Antenna weight	46g maximum
RoHS	Compliant
Color	Black
Antenna Length, REF	195 mm
Dimensions	According to drawing

* Measured on a typical, LMP Radio

** Allow Return Loss degradation of 1 dB in extreme operation temperatures





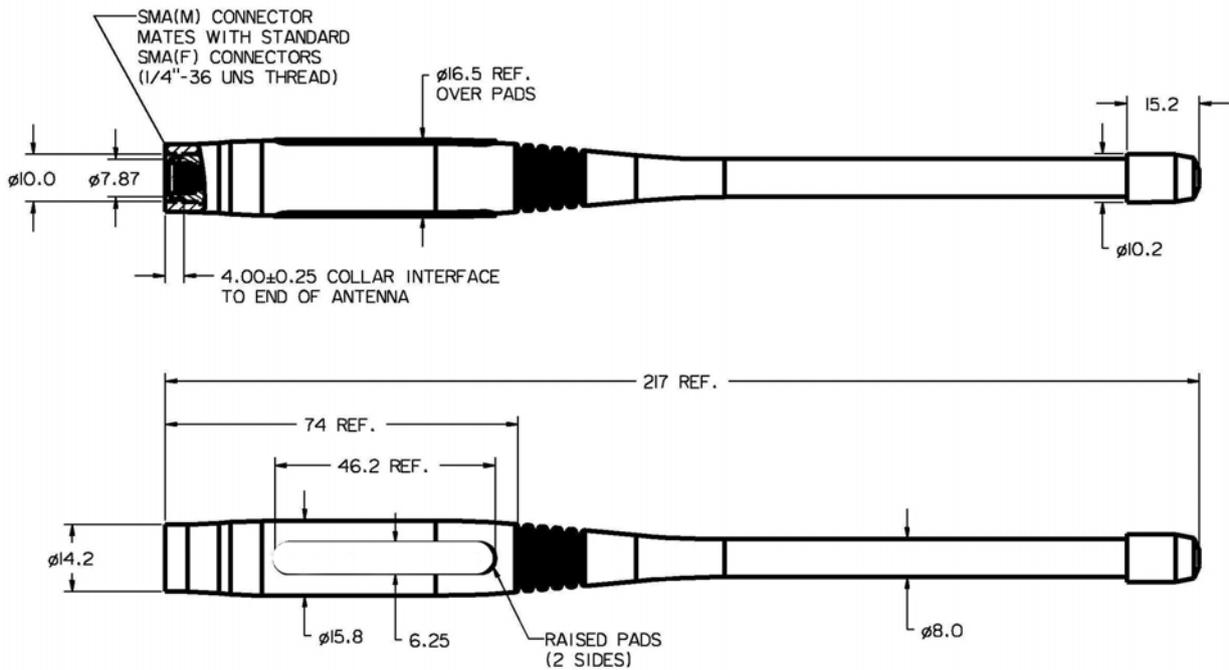
Helical VHF Broadband Antenna

[SMA(M) Connector, 136-174 MHz]

PATENT ISSUED

Electrical Specifications	
Part Number	020152020B3618
Frequency Band	136-174 MHz
Return Loss (in free space) (*)	-4 dB max.
Gain Peak (in free space) (*)	-7 dBi
Connector Type	SMA(M), Skirt
Polarization	Vertical
Impedance (Nominal)	50 Ohm
Maximum Power	10 WATT
Mechanical Specifications	
Operating Temperature	-30°C to +70°C
Storage Temperature	-40°C to +85°C
Environmental Conditions	Indoor / Outdoor
Antenna weight	40g maximum
RoHS	Compliant
Color	Black
Antenna Length, REF	217 mm
Dimensions	According to drawing

* Measured on a typical, LMP Radio





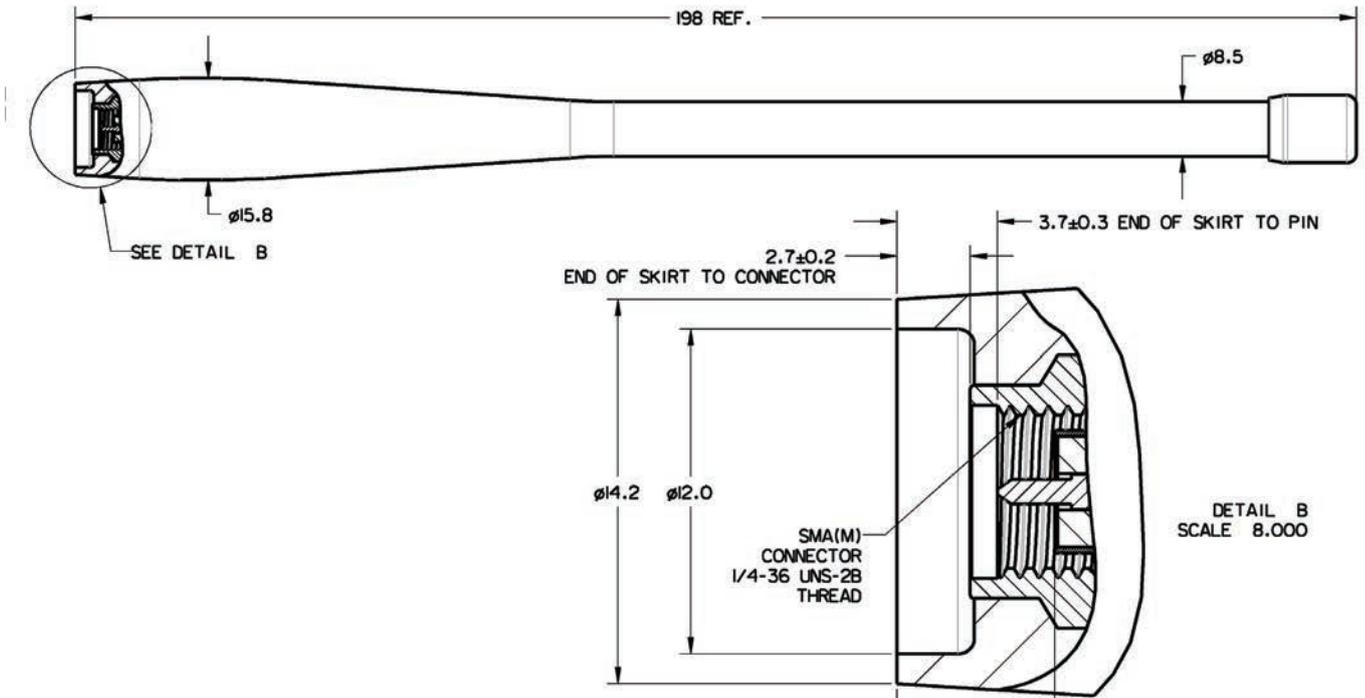
Helical VHF Broadband Antenna

[SMA (M) Connector, 136-174 MHz]

Electrical Specifications	
Part Number	02015020-05797
Frequency Band	136-174 MHz
Return Loss (in free space) (*)(**)	-4 dB max.
Gain Peak (in free space) (*)	-8 dBi
Connector Type	SMA (M), Skirt
Polarization	Linear, Vertical
Impedance (Nominal)	50 Ohm
Maximum Power	10 WATT
Mechanical Specifications	
Operating Temperature	-30°C to +70°C
Storage Temperature	-40°C to +85°C
Environmental Conditions	Indoor / Outdoor
Antenna weight	46g maximum
RoHS	Compliant
Color	Black
Antenna Length, REF	198 mm
Dimensions	According to drawing

* Measured on a typical, LMP Radio

** Allow Return Loss degradation of 1 dB in extreme operation temperatures



Multi-Wide Band

7

VHF & VHF-BB Band

23

UHF-Band

UHF-Band

Selected Antenna Datasheets

Multi-Wide Band

59



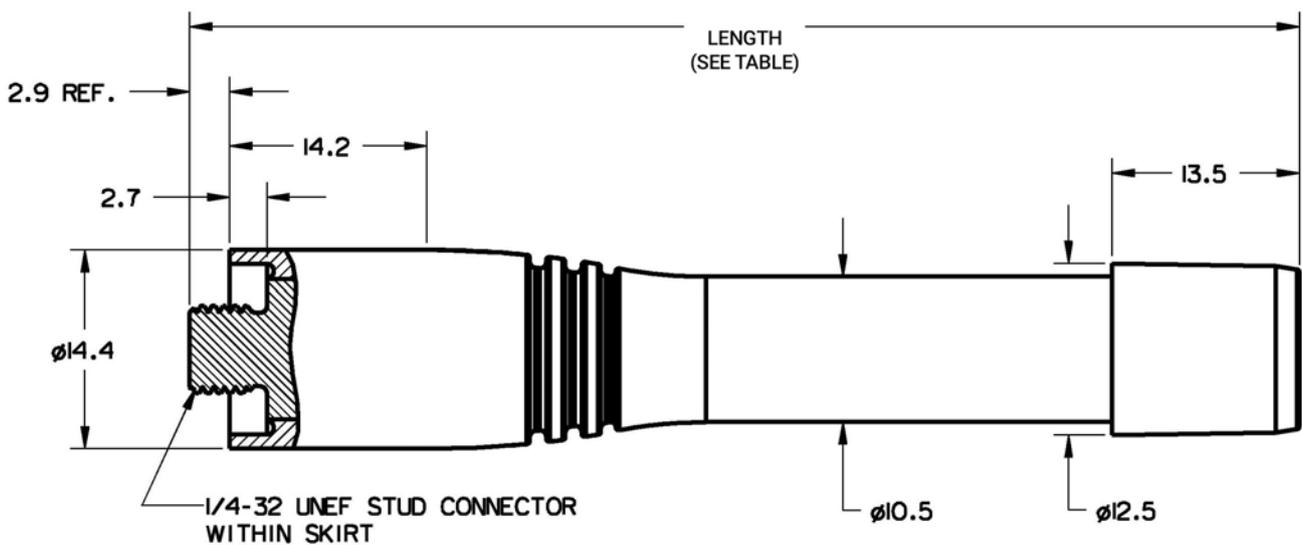
Helical 1/4 Wave Antenna

[1/4-32 UNEF STUD Connector, UHF]



Electrical Specifications				
Part Number	020682021B1138	020682023B1138	020682024B1138	020682032B1138
Frequency Band	400-420 MHz	450-470 MHz	470-512 MHz	UNCUT
Return Loss* (Typical)	-6 dB max.	-7 dB max.	-7 dB max.	N/A
Gain Peak* (Typical)	0 dBi	1 dBi	0 dBi	N/A
Connector Type	1/4-32 UNEF Stud, Skirt			
Polarization	Linear, Vertical			
Impedance (Nominal)	50 Ohm			
Maximum Power	10 WATT			
Mechanical Specifications				
Antenna Length REF.	90 mm	80 mm	75 mm	148 mm
Operating Temperature	-30°C to +70°C			
Storage Temperature	-40°C to +85°C			
Environmental Conditions	Indoor / Outdoor			
Antenna weight	25g maximum			
RoHS	Compliant			
Color	Black			
Dimensions	According to drawing			

* Measured on a typical, LMP Radio



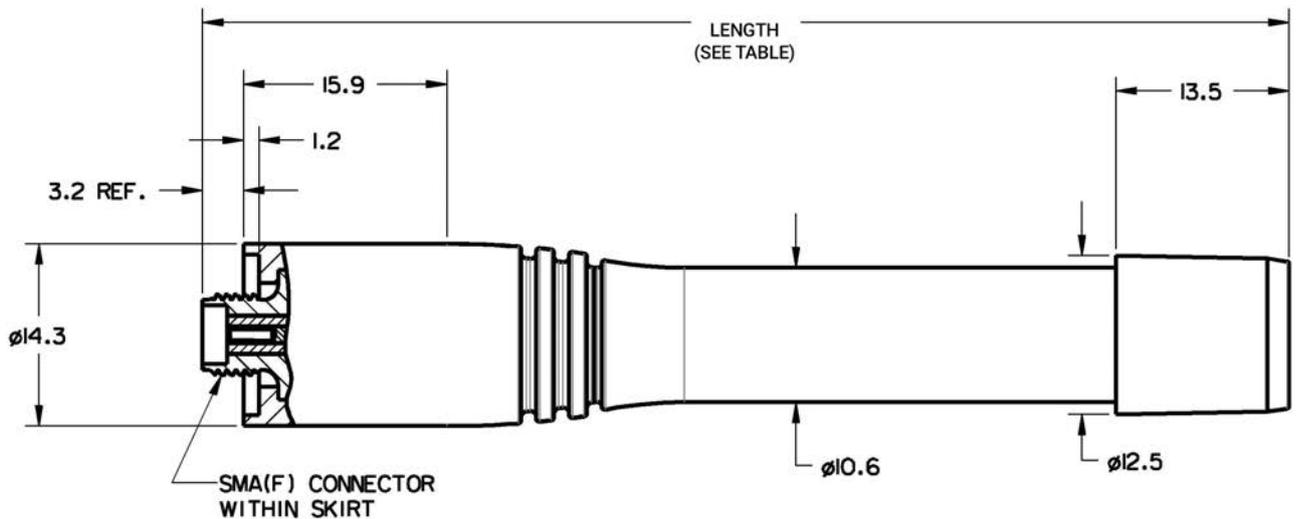


Helical 1/4 Wave Antenna

[SMA(F) Connector, UHF]

Electrical Specifications		
Part Number	020642023B1152	020642032B1152
Frequency Band	450-470 MHz	UNCUT
Return Loss* (Typical)	-7 dB max.	N/A
Gain Peak* (Typical)	1 dBi	N/A
Connector Type	SMA(F), Skirt	
Polarization	Linear, Vertical	
Impedance (Nominal)	50 Ohm	
Maximum Power	10 WATT	
Mechanical Specifications		
Antenna Length REF.	85 mm	148 mm
Operating Temperature	-30°C to +70°C	
Storage Temperature	-40°C to +85°C	
Environmental Conditions	Indoor / Outdoor	
Antenna weight	19g maximum	
RoHS	Compliant	
Color	Black	
Dimensions	According to drawing	

* Measured on a typical, LMP Radio





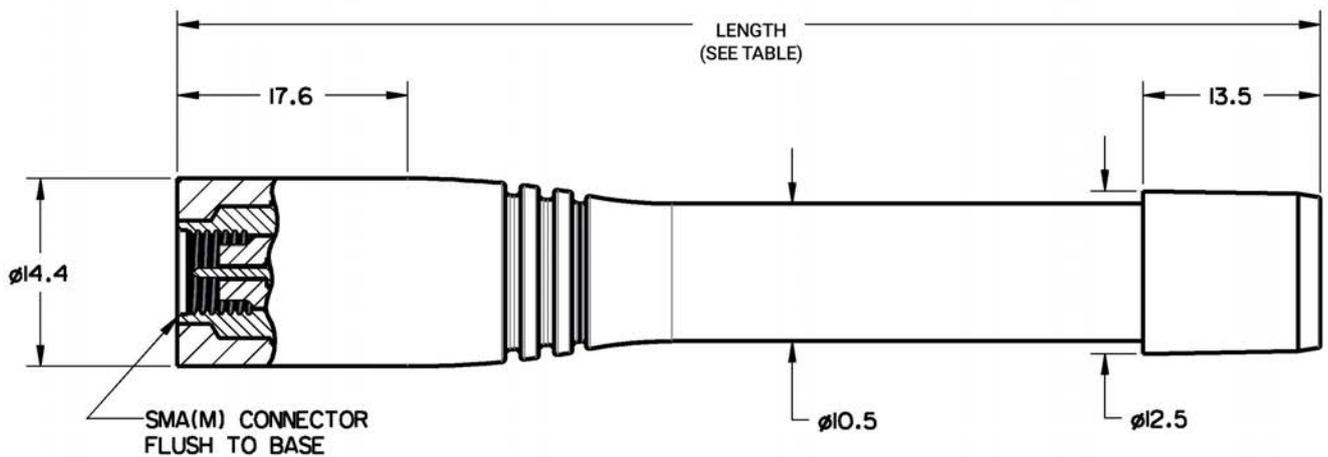
Helical 1/4 Wave Antenna

[SMA(M) Connector, UHF]



Electrical Specifications		
Part Number	020152023B1141	020152032B1141
Frequency Band	450-470 MHz	UNCUT
Return Loss* (Typical)	-7 dB max.	N/A
Gain Peak* (Typical)	1 dBi	N/A
Connector Type	SMA(M), Flush	
Polarization	Linear, Vertical	
Impedance (Nominal)	50 Ohm	
Maximum Power	10 WATT	
Mechanical Specifications		
Antenna Length REF.	87 mm	148 mm
Operating Temperature	-30°C to +70°C	
Storage Temperature	-40°C to +85°C	
Environmental Conditions	Indoor / Outdoor	
Antenna weight	20g maximum	
RoHS	Compliant	
Color	Black	
Dimensions	According to drawing	

* Measured on a typical, LMP Radio





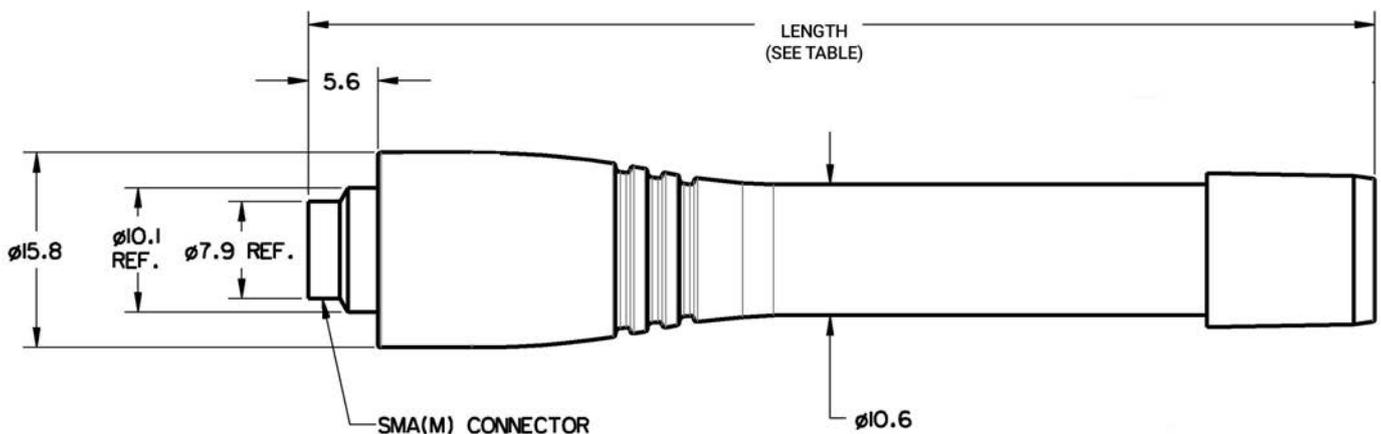
Helical 1/4 Wave Antenna

[SMA(M) Connector, UHF]



Electrical Specifications		
Part Number	020852083B2791	020852032B2791
Frequency Band	400-450 MHz	UNCUT
Return Loss* (Typical)	-5 dB max.	N/A
Gain Peak* (Typical)	-9 dBi	N/A
Connector Type	SMA(M), Exposed	
Polarization	Linear, Vertical	
Impedance (Nominal)	50 Ohm	
Maximum Power	10 WATT	
Mechanical Specifications		
Antenna Length REF.	86 mm	150 mm
Operating Temperature	-30°C to +70°C	
Storage Temperature	-40°C to +85°C	
Environmental Conditions	Indoor / Outdoor	
Antenna weight	18g maximum	
RoHS	Compliant	
Color	Black	
Dimensions	According to drawing	

* Measured on a typical, LMP Radio





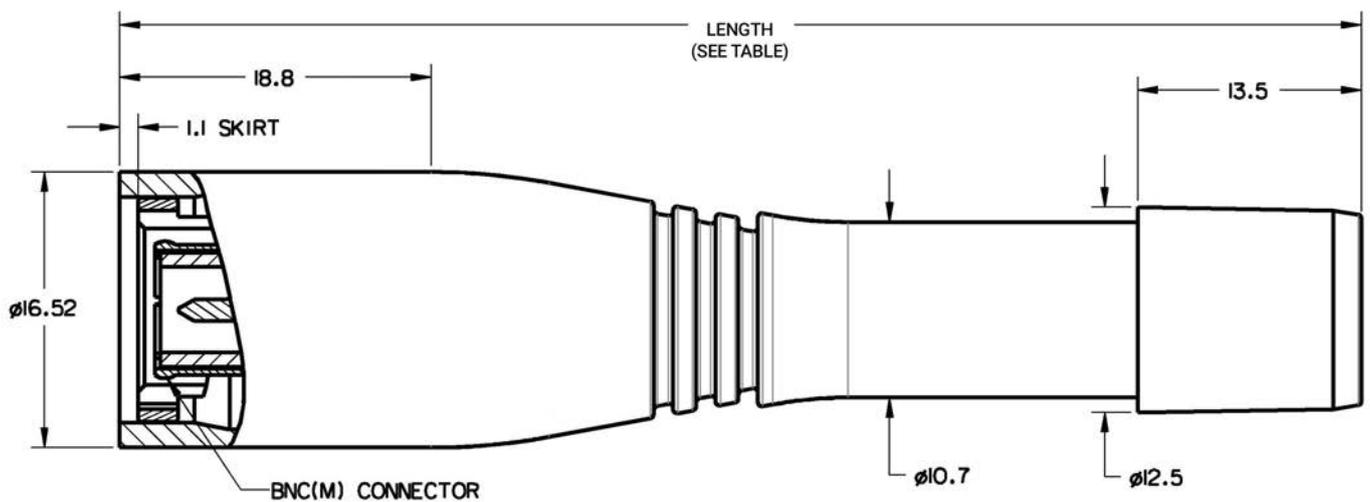
Helical 1/4 Wave Antenna

[BNC(M) Connector,UHF]



Electrical Specifications		
Part Number	020282023B1143	020282032B1143
Frequency Band	450-470 MHz	UNCUT
Return Loss* (Typical)	-7 dB max.	N/A
Gain Peak* (Typical)	1dBi	N/A
Connector Type	BNC(M), Skirt	
Polarization	Linear, Vertical	
Impedance (Nominal)	50 Ohm	
Maximum Power	10 WATT	
Mechanical Specifications		
Antenna Length REF.	75 mm	148 mm
Operating Temperature	-30°C to +70°C	
Storage Temperature	-40°C to +85°C	
Environmental Conditions	Indoor / Outdoor	
Antenna weight	23g maximum	
RoHS	Compliant	
Color	Black	
Dimensions	According to drawing	

* Measured on a typical, LMP Radio



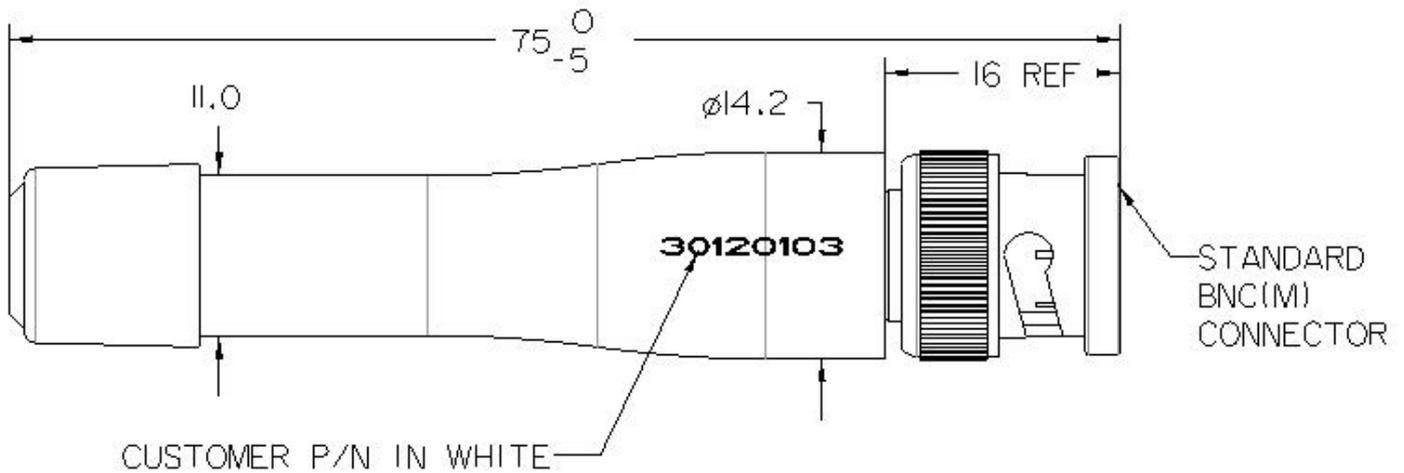


Whip 1/4 Wave Antenna

[BNC(M) Connector, UHF]

Electrical Specifications		
Part Number	02-4012-28-599	02-4011-91-599
Frequency Band	318 MHz	433 MHz
Return Loss* (Typical)	-7 dB max.	-10 dB max.
Gain Peak* (Typical)	-2dBi	
Connector Type	BNC(M) STD, Exposed	
Polarization	Linear, Vertical	
Impedance (Nominal)	50 Ohm	
Maximum Power	4 WATT	
Mechanical Specifications		
Operating Temperature	-30°C to +70°C	
Storage Temperature	-40°C to +85°C	
Environmental Conditions	Indoor	
Antenna weight	36g maximum	
RoHS	Compliant	
Color	Black	
Customer P/N	30120103	30120201
Dimensions	According to drawing	

* Measured on a typical, LMP Radio





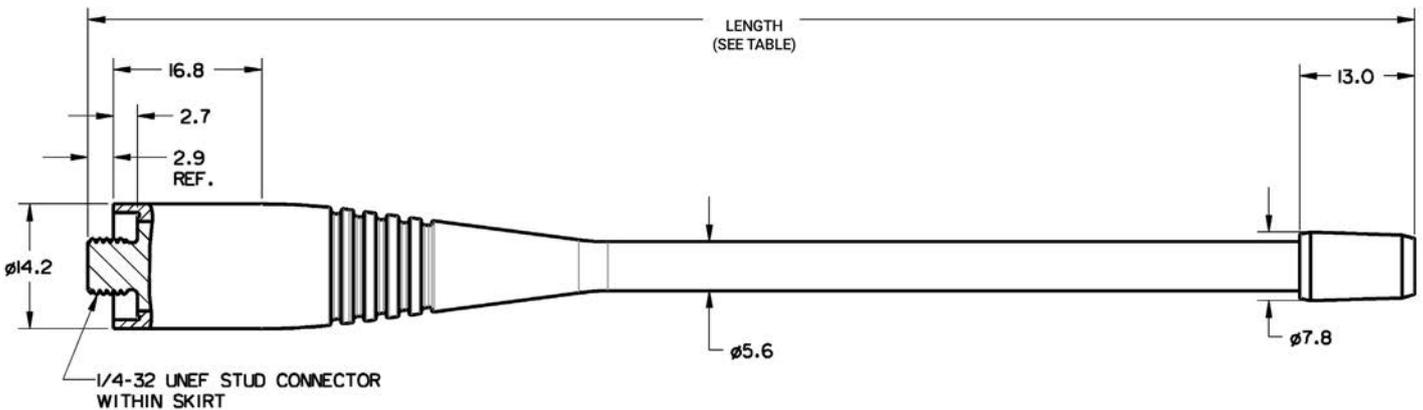
Whip ¼ Wave Antenna

[¼-32 UNEF STUD Connector, UHF]



Electrical Specifications			
Part Number	020681021B1137	020681022B1137	020681091B1137
Frequency Band	400-420 MHz	420-450 MHz	422 MHz
Return Loss* (Typical)	-6 dB max.	-6 dB max.	-7 dB max.
Gain Peak* (Typical)	0 dBi	1 dBi	1 dBi
Connector Type	¼-32 UNEF STUD, Skirt		
Polarization	Linear, Vertical		
Impedance (Nominal)	50 Ohm		
Maximum Power	10 WATT		
Mechanical Specifications			
Antenna Length REF.	155 mm	150 mm	150 mm
Operating Temperature	-30°C to +70°C		
Storage Temperature	-40°C to +85°C		
Environmental Conditions	Indoor / Outdoor		
Antenna weight	30g maximum		
RoHS	Compliant		
Color	Black		
Dimensions	According to drawing		

* Measured on a typical, LMP Radio



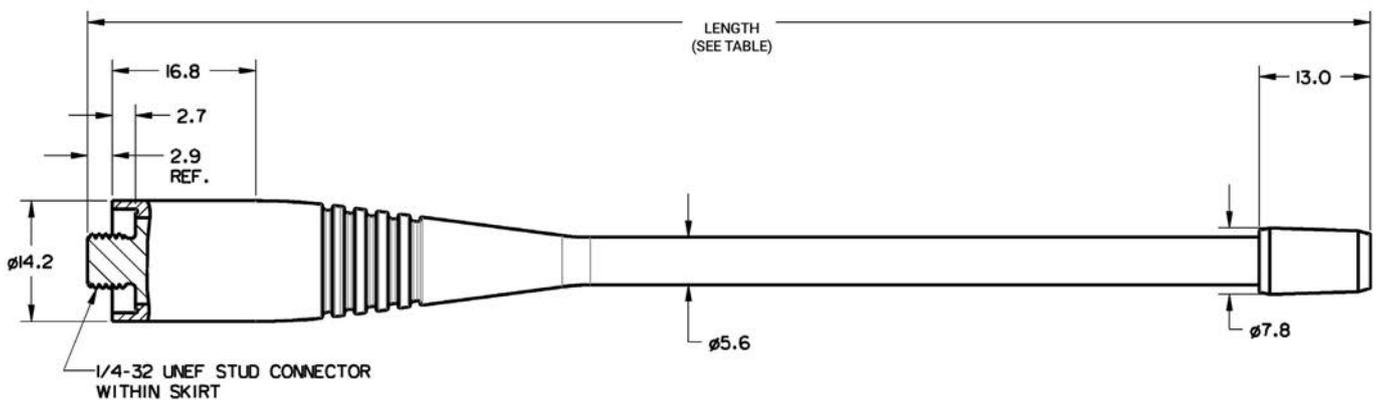


Whip 1/4 Wave Antenna

[1/4-32 STUD Connector, UHF]

Electrical Specifications			
Part Number	020681023B1137	020681024B1137	020681039B1137
Frequency Band	450-470 MHz	470-512 MHz	UNCUT
Return Loss Typical (in free space) (*)	-7 dB max.	-6 dB max.	N/A
Gain Peak Typical (in free space) (*)	1 dBi	0 dBi	N/A
Connector Type	1/4-32 STUD, Skirt		
Polarization	Linear, Vertical		
Impedance (Nominal)	50 Ohm		
Maximum Power	10 WATT		
Mechanical Specifications			
Antenna Length REF.	140 mm	135 mm	194 mm
Operating Temperature	-30°C to +70°C		
Storage Temperature	-40°C to +85°C		
Environmental Conditions	Indoor / Outdoor		
Antenna weight	30g maximum		
RoHS	Compliant		
Color	Black		
Dimensions	According to drawing		

* Measured on a typical, LMP Radio



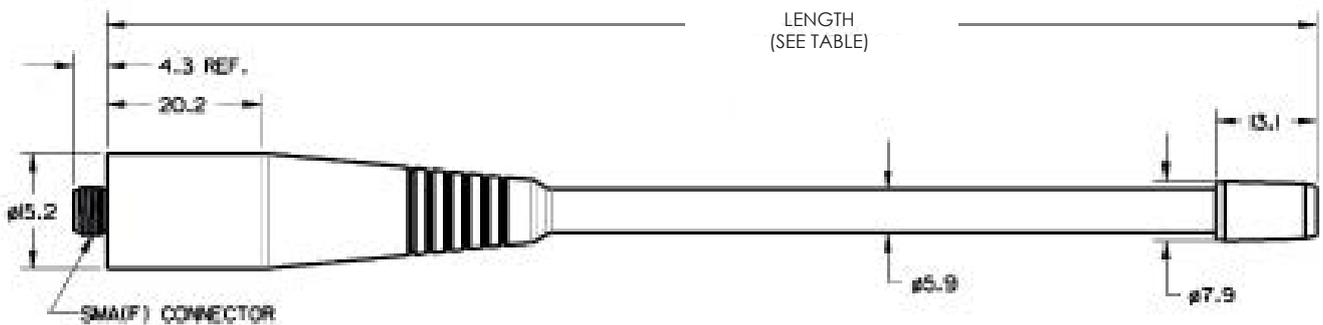


Whip 1/4 Wave Antenna

[SMA(F) Connector, UHF]

Electrical Specifications		
Part Number	020641112-02172	020641025-02172
Frequency Band	380-470 MHz	403-512 MHz
Return Loss (in free space) (*)	-5 dB max.	-6 dB max.
Gain Peak (in free space) (*)	0 dBi	0 dBi
Connector Type	SMA(F), SKIRT	
Polarization	Linear, Vertical	
Impedance (Nominal)	50 Ohm	
Maximum Power	10 WATT	
Mechanical Specifications		
Operating Temperature	-30°C to +70°C	
Storage Temperature	-40°C to +85°C	
Environmental Conditions	Indoor / Outdoor	
Antenna weight	24g maximum	
RoHS	Compliant	
Color	Green	White
Antenna Length, REF	168	135
Dimensions	According to drawing	

* Measured on a typical, LMP Radio





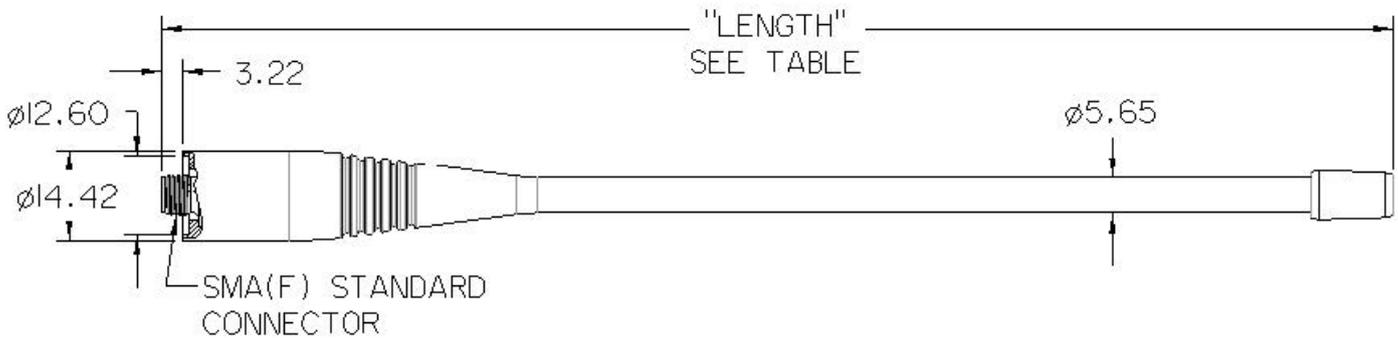
Whip 1/4 Wave Antenna

[SMA(F) Connector, 380-520 MHz]



Electrical Specifications				
Part Number	020641134B1144	020641023B1144	020641025B1144	020641039B1144
Frequency Band	380-520MHz	450-470 MHz	400-512 MHz	UNCUT
Return Loss* (Typical)	-6 dB max.	-5 dB max.	-5 dB max.	N/A
Gain Peak* (Typical)	1 dBi	0 dBi	0 dBi	N/A
Connector Type	SMA(F), Skirt			
Polarization	Linear, Vertical			
Impedance (Nominal)	50 Ohm			
Maximum Power	10 WATT			
Mechanical Specifications				
Antenna Length REF.	140mm	135 mm	150 mm	194 mm
Operating Temperature	-30°C to +70°C			
Storage Temperature	-40°C to +85°C			
Environmental Conditions	Indoor / Outdoor			
Antenna weight	25g maximum			
RoHS	Compliant			
Color	Black			
Dimensions	According to drawing			

* Measured on a typical, LMP Radio



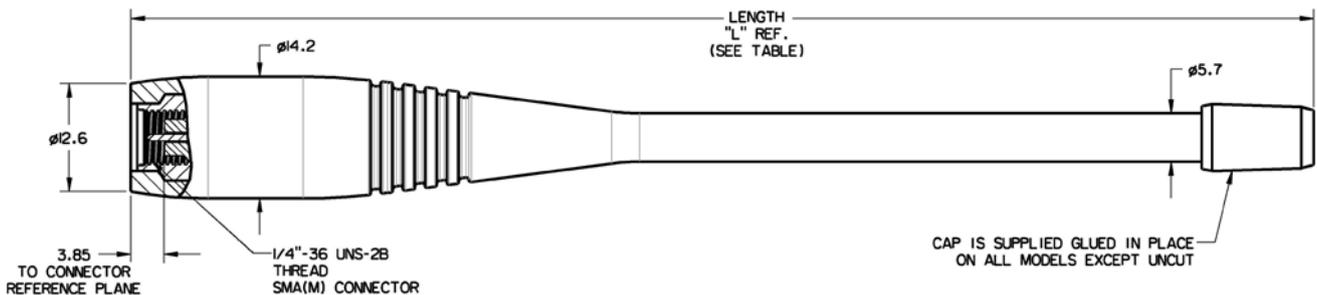


Whip 1/4 Wave Antenna

[SMA(M) Connector, UHF]

Electrical Specifications		
Part Number	02015134-02423	02015039-02423
Frequency Band	380-520MHz	Uncut
Return Loss* (Typical)	-5 dB max.	N/A
Gain Peak* (Typical)	0 dBi	N/A
Connector Type	SMA(M), Skirt	
Polarization	Linear, Vertical	
Impedance (Nominal)	50 Ohm	
Maximum Power	10 WATT	
Mechanical Specifications		
Operating Temperature	-30°C to +70°C	
Storage Temperature	-40°C to +85°C	
Environmental Conditions	Indoor / Outdoor	
Antenna weight	30g maximum	
RoHS	Compliant	
Color	Black	
Antenna Length, REF	145	200
Dimensions	According to drawing	

* Measured on a typical, LMP Radio





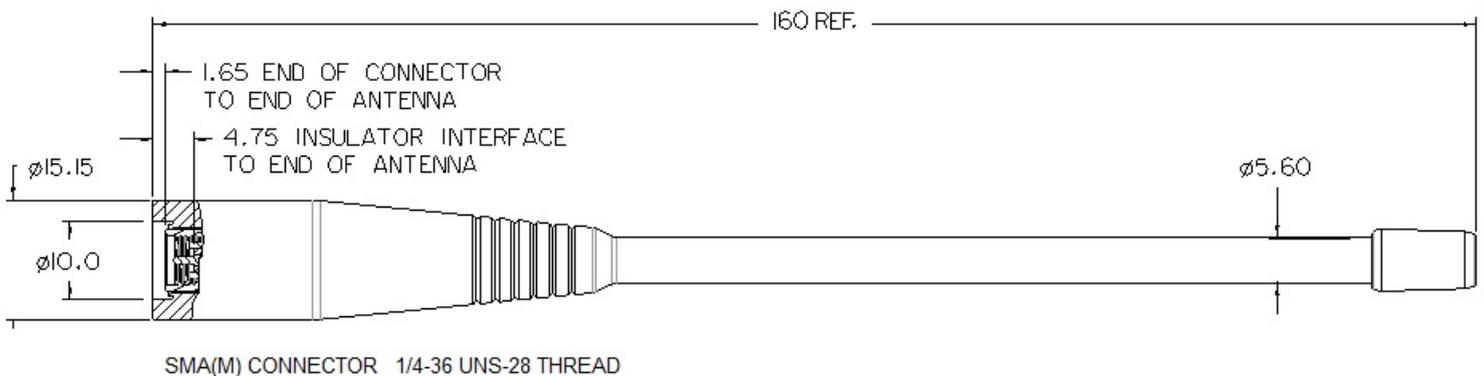
Whip 1/4 Wave Antenna

[SMA(M) Standard Connector, UHF]



Electrical Specifications	
Part Number	020151112B3842
Frequency Band	380-470 MHz
Return Loss (in free space) (*)	-5 dB max.
Gain Peak (in free space) (*)	0 dBi
Connector Type	SMA(M), Skirt
Polarization	Linear, Vertical
Impedance (Nominal)	50 Ohm
Maximum Power	10 WATT
Mechanical Specifications	
Operating Temperature	-30°C to +70°C
Storage Temperature	-40°C to +85°C
Environmental Conditions	Indoor / Outdoor
Antenna weight	33g maximum
RoHS	Compliant
Color	Black
Antenna Length, REF	160
Dimensions	According to drawing

* Measured on a typical, LMP Radio





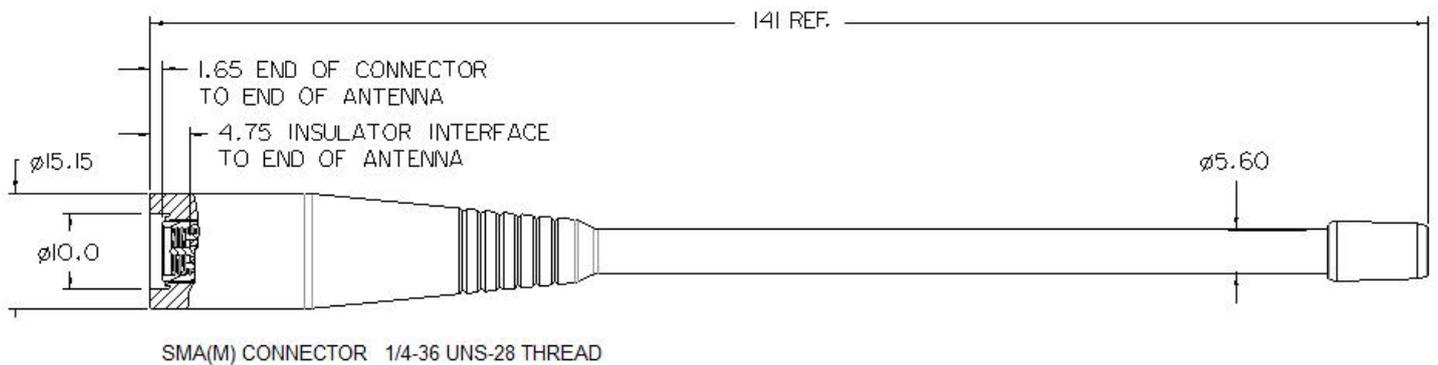
Whip 1/4 Wave Antenna

[SMA(M) Standard Connector, UHF]



Electrical Specifications	
Part Number	020151203B3843
Frequency Band	440-520 MHz
Return Loss (in free space) (*)	-5 dB max.
Gain Peak (in free space) (*)	1 dBi
Connector Type	SMA(M), Skirt
Polarization	Linear, Vertical
Impedance (Nominal)	50 Ohm
Maximum Power	10 WATT
Mechanical Specifications	
Operating Temperature	-30°C to +70°C
Storage Temperature	-40°C to +85°C
Environmental Conditions	Indoor / Outdoor
Antenna weight	30g maximum
RoHS	Compliant
Color	Black
Antenna Length, REF	141
Dimensions	According to drawing

* Measured on a typical, LMP Radio





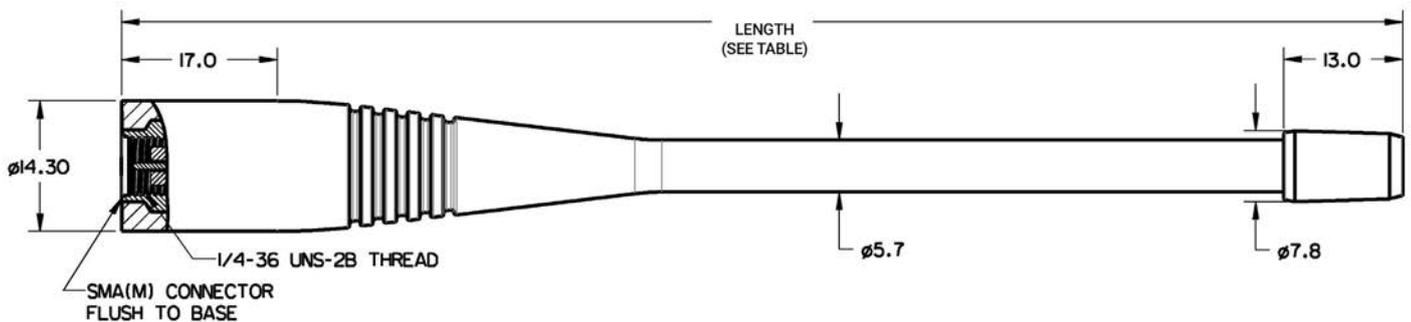
Whip 1/4 Wave Antenna

[SMA(M) Connector, UHF]



Electrical Specifications		
Part Number	020151023B1139	020151039B1139
Frequency Band	420-450 MHz	UNCUT
Return Loss* (Typical)	-5 dB max.	N/A
Gain Peak* (Typical)	1 dBi	N/A
Connector Type	SMA(M), Flush	
Polarization	Linear, Vertical	
Impedance (Nominal)	50 Ohm	
Maximum Power	10 WATT	
Mechanical Specifications		
Antenna Length REF.	140 mm	200 mm
Operating Temperature	-30°C to +70°C	
Storage Temperature	-40°C to +85°C	
Environmental Conditions	Indoor / Outdoor	
Antenna weight	21g maximum	
RoHS	Compliant	
Color	Black	
Dimensions	According to drawing	

* Measured on a typical, LMP Radio





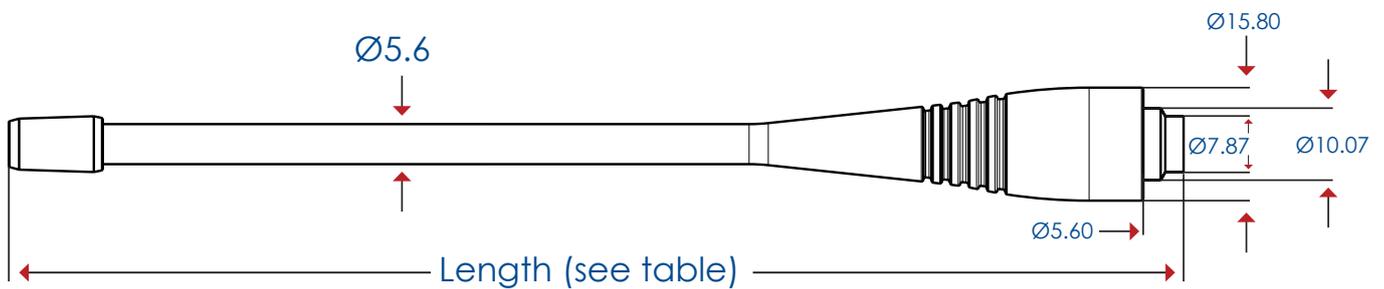
Whip ¼ Wave Antenna

[SMA(M) Connector, Exposed UHF]



Electrical Specifications				
Part Number	020851138B2791	020851083B2791	020851393B2791	020851039B2791
Frequency Band	380-420MHz	400-470 MHz	450-520 MHz	UNCUT
Return Loss* (in free space)	-6 dB max.	-6 dB max.	-6 dB max.	N/A
Gain Peak* (in free space)	0 dBi	0 dBi	0 dBi	N/A
Connector Type	SMA(M), Exposed			
Polarization	Linear, Vertical			
Impedance (Nominal)	50 Ohm			
Maximum Power	10 WATT			
Mechanical Specifications				
Antenna Length REF.	165 mm	150 mm	135 mm	165 mm
Operating Temperature	-30°C to +70°C			
Storage Temperature	-40°C to +85°C			
Environmental Conditions	Indoor / Outdoor			
Antenna weight	24g maximum			
RoHS	Compliant			
Color	Black			
Dimensions	According to drawing			

* Measured on a typical, LMP Radio. Uncut antenna is also available



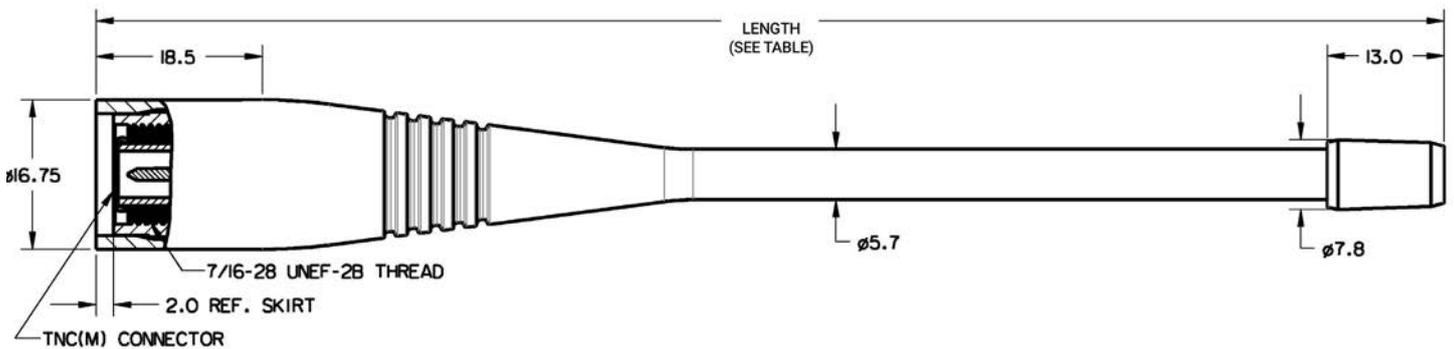


Whip ¼ Wave Antenna

[TNC(M) Connector, UHF]

Electrical Specifications		
Part Number	020051023B1136	020051039B1136
Frequency Band	400-470 MHz	UNCUT
Return Loss* (Typical)	-6 dB max.	N/A
Gain Peak* (Typical)	0 dBi	N/A
Connector Type	TNC(M), Skirt	
Polarization	Linear, Vertical	
Impedance (Nominal)	50 Ohm	
Maximum Power	10 WATT	
Mechanical Specifications		
Antenna Length REF.	150 mm	202 mm
Operating Temperature	-30°C to +70°C	
Storage Temperature	-40°C to +85°C	
Environmental Conditions	Indoor / Outdoor	
Antenna weight	30g maximum	
RoHS	Compliant	
Color	Black	
Dimensions	According to drawing	

* Measured on a typical, LMP Radio



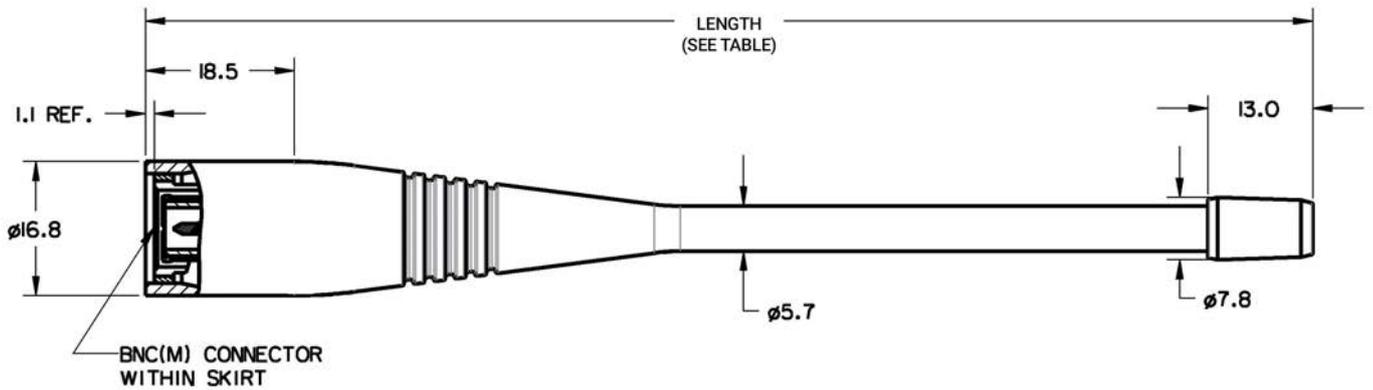


Helical 1/4 Wave Antenna

[BNC(M) Connector, UHF]

Electrical Specifications		
Part Number	020281023B1142	020281039B1142
Frequency Band	450-470 MHz	UNCUT
Return Loss* (Typical)	-7 dB max.	N/A
Gain Peak* (Typical)	1dBi	N/A
Connector Type	BNC(M), Skirt	
Polarization	Linear, Vertical	
Impedance (Nominal)	50 Ohm	
Maximum Power	10 WATT	
Mechanical Specifications		
Antenna Length REF.	145 mm	202 mm
Operating Temperature	-30°C to +70°C	
Storage Temperature	-40°C to +85°C	
Environmental Conditions	Indoor / Outdoor	
Antenna weight	25g maximum	
RoHS	Compliant	
Color	Black	
Dimensions	According to drawing	

* Measured on a typical, LMP Radio





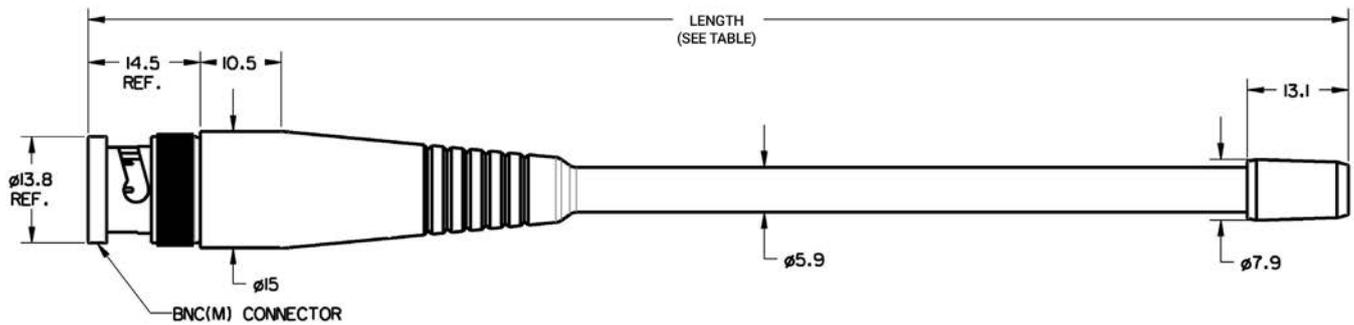
Whip ¼ Wave Antenna

[BNC(M) Connector, UHF]



Electrical Specifications		
Part Number	02-4011-28-599	02-4011-22-599
Frequency Band	318 MHz	434 MHz
Return Loss* (Typical)	-6 dB max.	-7 dB max.
Gain Peak* (Typical)	-1dBi	1dBi
Connector Type	BNC(M) STD, Exposed	
Polarization	Linear, Vertical	
Impedance (Nominal)	50 Ohm	
Maximum Power	10 WATT	
Mechanical Specifications		
Antenna Length REF.	180 mm	163 mm
Operating Temperature	-30°C to +70°C	
Storage Temperature	-40°C to +85°C	
Environmental Conditions	Indoor / Outdoor	
Antenna weight	21g maximum	
RoHS	Compliant	
Color	Black	
Dimensions	According to drawing	

* Measured on a typical, LMP Radio



Multi-Wide Band

7

VHF & VHF-BB Band

23

UHF-Band

39

700-900 MHz Band

700-900 MHz Band

Selected Antenna Datasheets

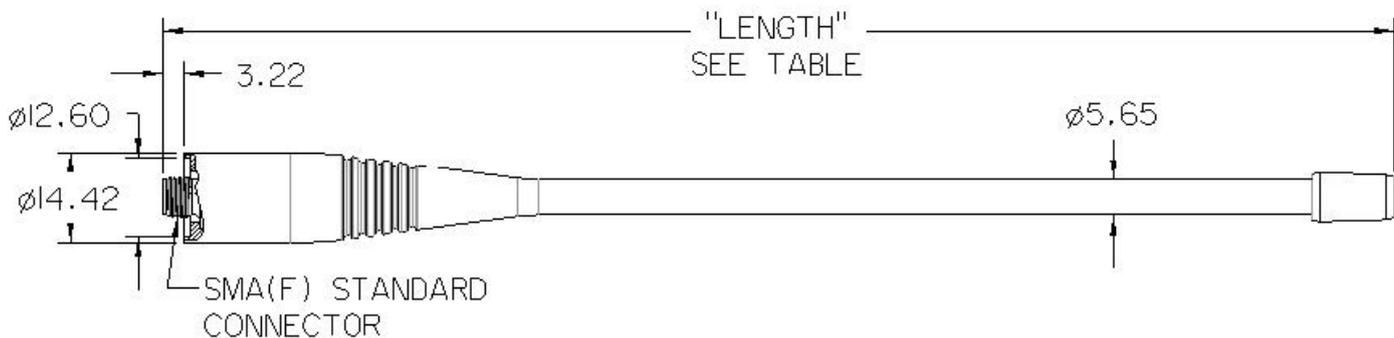


Whip 1/4 Wave Antenna

[SMA(F) Connector, 700-900 MHz]

Electrical Specifications				
Part Number	020641125B1144	020641041B1144	020641080B1144	020641039B1144
Frequency Band	746-794MHz	806-870 MHz	821-902 MHz	UNCUT
Return Loss* (Typical)	-6 dB max.	-6 dB max.	-6 dB max.	N/A
Gain Peak* (Typical)	0 dBi	1 dBi	1 dBi	N/A
Connector Type	SMA(F), Skirt			
Polarization	Linear, Vertical			
Impedance (Nominal)	50 Ohm			
Maximum Power	10 WATT			
Mechanical Specifications				
Antenna Length REF.	111mm	104 mm	91 mm	194 mm
Operating Temperature	-30°C to +70°C			
Storage Temperature	-40°C to +85°C			
Environmental Conditions	Indoor / Outdoor			
Antenna weight	25g maximum			
RoHS	Compliant			
Color	Black			
Dimensions	According to drawing			

* Measured on a typical, LMP Radio





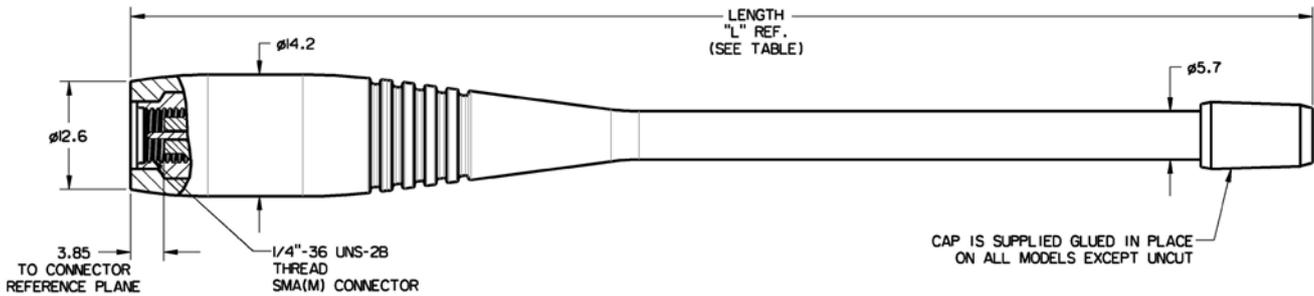
Whip 1/4 Wave Antenna

[SMA(M) Connector, 700-900 MHz]



Electrical Specifications			
Part Number	02015041-02423	02015061-02423	02015039-02423
Frequency Band	806-870 MHz	900-930 MHz	Uncut
Return Loss* (Typical)	-5 dB max	-5 dB max	N/A
Gain Peak* (Typical)	1 dBi	1 dBi	N/A
Connector Type	SMA(M), Skirt		
Polarization	Linear, Vertical		
Impedance (Nominal)	50 Ohm		
Maximum Power	10 WATT		
Mechanical Specifications			
Operating Temperature	-30°C to +70°C		
Storage Temperature	-40°C to +85°C		
Environmental Conditions	Indoor / Outdoor		
Antenna weight	30g maximum		
RoHS	Compliant		
Color	Black		
Antenna Length, REF	103	88	200
Dimensions	According to drawing		

* Measured on a typical, LMP Radio





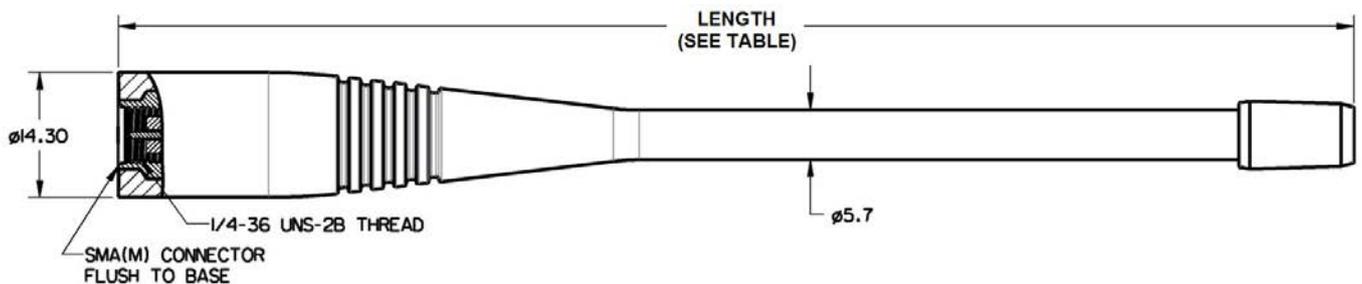
Whip 1/4 Wave Antenna

[SMA(M) Connector, UHF]



Electrical Specifications					
Part Number	020151025B1139	020151080B1139	020151041B1139	020151081B1139	020151039B1139
Frequency Band	746-787 MHz	821-902 MHz	806-870 MHz	902-960 MHz	UNCUT
Return Loss* (Typical)	-5 dB max.	-5 dB max.	-5 dB max.	-5 dB max.	N/A
Gain Peak* (Typical)	0dBi	1dBi	1dBi	1dBi	N/A
Connector Type	SMA(M), Flush				
Polarization	Linear, Vertical				
Impedance (Nominal)	50 Ohm				
Maximum Power	10 WATT				
Mechanical Specifications					
Antenna Length REF.	82 mm	75 mm	98 mm	75 mm	200 mm
Operating Temperature	-30°C to +70°C				
Storage Temperature	-40°C to +85°C				
Environmental Conditions	Indoor / Outdoor				
Antenna weight	21g maximum				
RoHS	Compliant				
Color	Black				
Dimensions	According to drawing				

* Measured on a typical, LMP Radio



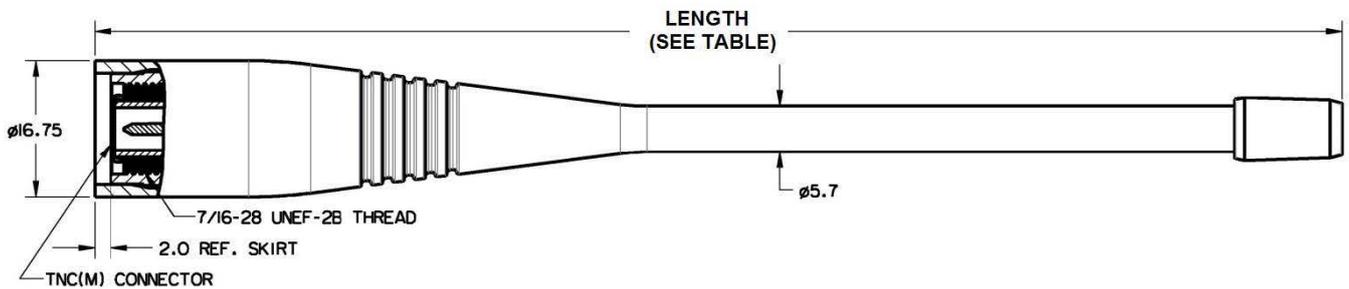


Whip ¼ Wave Antenna

[TNC(M) Connector, 700-900 MHz]

Electrical Specifications			
Part Number	020051041B1136	020051046B1136	020051039B1136
Frequency Band	806-870 MHz	824-894 MHz	UNCUT
Return Loss* (Typical)	-7 dB max.	-7 dB max.	N/A
Gain Peak* (Typical)	1 dBi	1 dBi	N/A
Connector Type	TNC(M), Skirt		
Polarization	Linear, Vertical		
Impedance (Nominal)	50 Ohm		
Maximum Power	10 WATT		
Mechanical Specifications			
Antenna Length REF.	80 mm	80 mm	202 mm
Operating Temperature	-30°C to +70°C		
Storage Temperature	-40°C to +85°C		
Environmental Conditions	Indoor / Outdoor		
Antenna weight	30g maximum		
RoHS	Compliant		
Color	Black		
Dimensions	According to drawing		

* Measured on a typical, LMP Radio





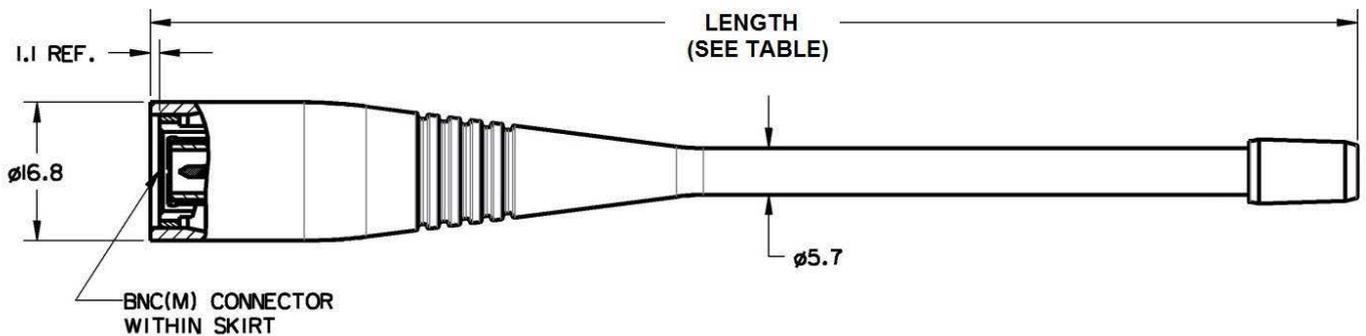
Whip ¼ Wave Antenna

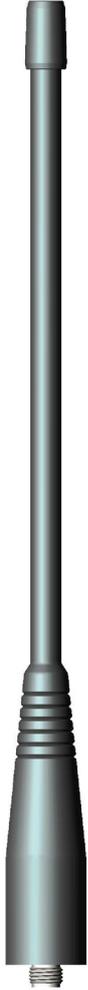
[BNC(M) Connector, 700-900 MHz]



Electrical Specifications			
Part Number	020281041B1142	020281102B1142	020281039B1142
Frequency Band	806-870 MHz	1090 MHz	UNCUT
Return Loss* (Typical)	-7 dB max.	-10 dB max.	N/A
Gain Peak* (Typical)	1 dBi	1 dBi	N/A
Connector Type	BNC(M), Skirt		
Polarization	Linear, Vertical		
Impedance (Nominal)	50 Ohm		
Maximum Power	10 WATT		
Mechanical Specifications			
Antenna Length REF.	106 mm	75 mm	202 mm
Operating Temperature	-30°C to +70°C		
Storage Temperature	-40°C to +85°C		
Environmental Conditions	Indoor / Outdoor		
Antenna weight	25g maximum		
RoHS	Compliant		
Color	Black		
Dimensions	According to drawing		

* Measured on a typical, LMP Radio



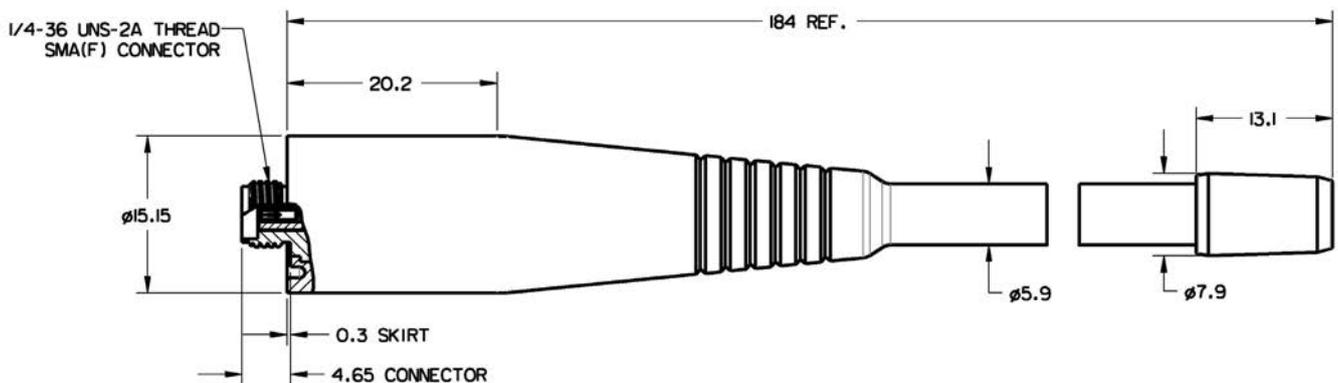


Whip 1/2 Wave Antenna

[SMA(F) Connector, 760-870 MHz]

Electrical Specifications	
Part Number	020641115B3804
Frequency Band	760-870 MHz
Return Loss* (Typical)	-6 dB max.
Gain Peak* (Typical)	1 dBi
Connector Type	SMA(F), Skirt
Polarization	Vertical
Impedance (Nominal)	50 Ohm
Maximum Power	10 WATT
Mechanical Specifications	
Antenna Length REF.	184 mm
Operating Temperature	-30°C to +70°C
Storage Temperature	-40°C to +85°C
Environmental Conditions	Indoor / Outdoor
Antenna weight	23 g maximum
RoHS	Compliant
Color	Black
Dimensions	According to drawing

* Measured on a typical, LMP Radio



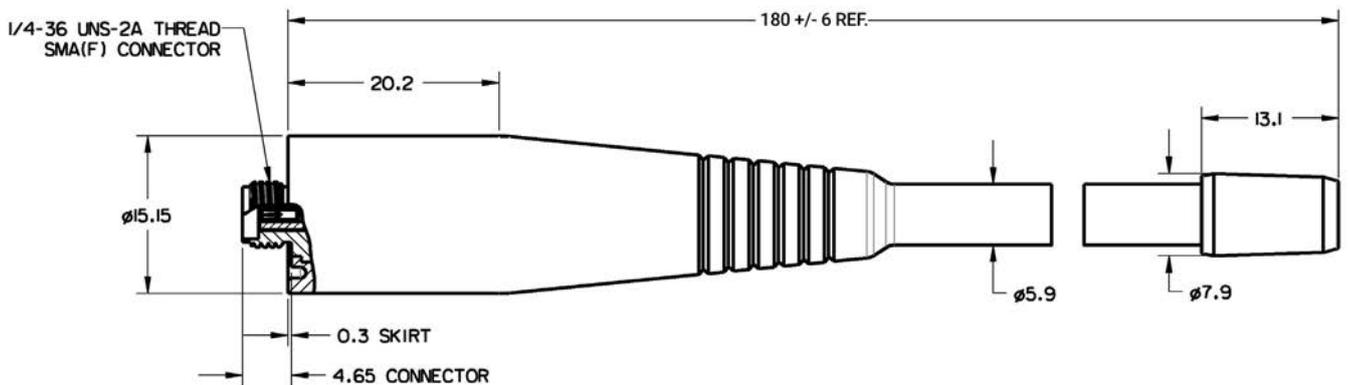


Whip 1/2 Wave Antenna

[SMA(F) Connector, 806-870 MHz]

Electrical Specifications	
Part Number	020641041-2171
Frequency Band	806-870 MHz
Return Loss* (Typical)	-6 dB max.
Gain Peak* (Typical)	1 dBi
Connector Type	SMA (F), Skirt
Polarization	Linear, Vertical
Impedance (Nominal)	50 Ohm
Maximum Power	10 WATT
Mechanical Specifications	
Antenna Length REF.	180 mm
Operating Temperature	-30°C to +70°C
Storage Temperature	-40°C to +85°C
Environmental Conditions	Indoor / Outdoor
Antenna weight	24 g maximum
RoHS	Compliant
Color	Black
Dimensions	According to drawing

* Measured on a typical, LMP Radio



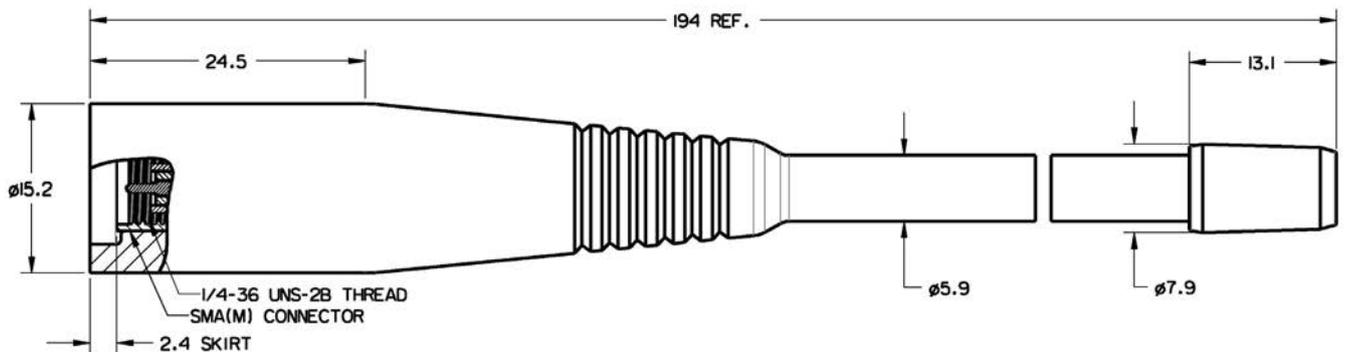


Whip 1/2 Wave Antenna

[SMA(M) Connector, 763-870 MHz]

Electrical Specifications	
Part Number	020151115B3955
Frequency Band	763-870 MHz
Return Loss* (Typical)	-6 dB max.
Gain Peak* (Typical)	0 dBi
Connector Type	SMA(M), Skirt
Polarization	Vertical
Impedance (Nominal)	50 Ohm
Maximum Power	10 WATT
Mechanical Specifications	
Antenna Length REF.	194 mm
Operating Temperature	-30°C to +70°C
Storage Temperature	-40°C to +85°C
Environmental Conditions	Indoor / Outdoor
Antenna weight	23 g maximum
RoHS	Compliant
Color	Black
Dimensions	According to drawing

* Measured on a typical, LMP Radio



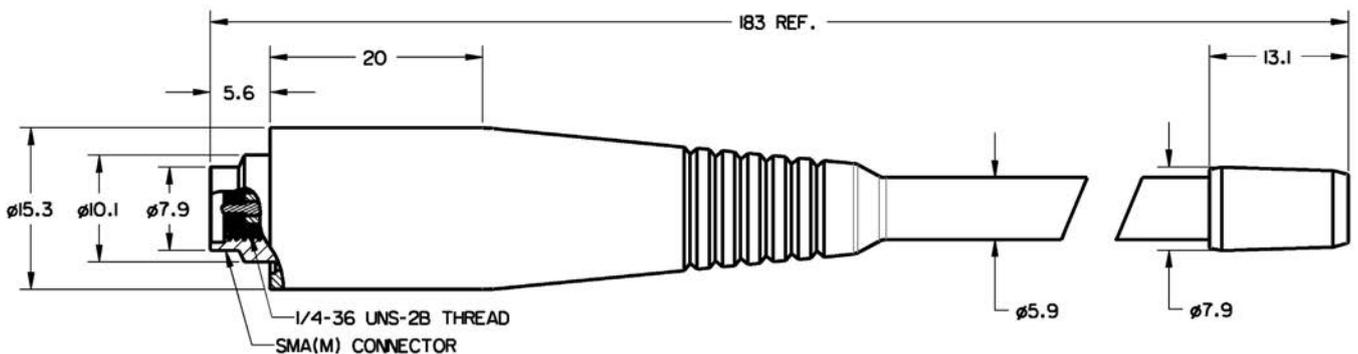


Whip 1/2 Wave Antenna

[SMA(M) Connector, 762-870 MHz]

Electrical Specifications	
Part Number	020851115B3256
Frequency Band	762-870 MHz
Return Loss* (Typical)	-5 dB max.
Gain Peak* (Typical)	1 dBi
Connector Type	SMA (M) ,Exposed
Polarization	Vertical
Impedance (Nominal)	50 Ohm
Maximum Power	10 WATT
Mechanical Specifications	
Antenna Length REF.	183 mm
Operating Temperature	-30°C to +70°C
Storage Temperature	-40°C to +85°C
Environmental Conditions	Indoor / Outdoor
Antenna weight	25 g maximum
RoHS	Compliant
Color	Black
Dimensions	According to drawing

* Measured on a typical, LMP Radio



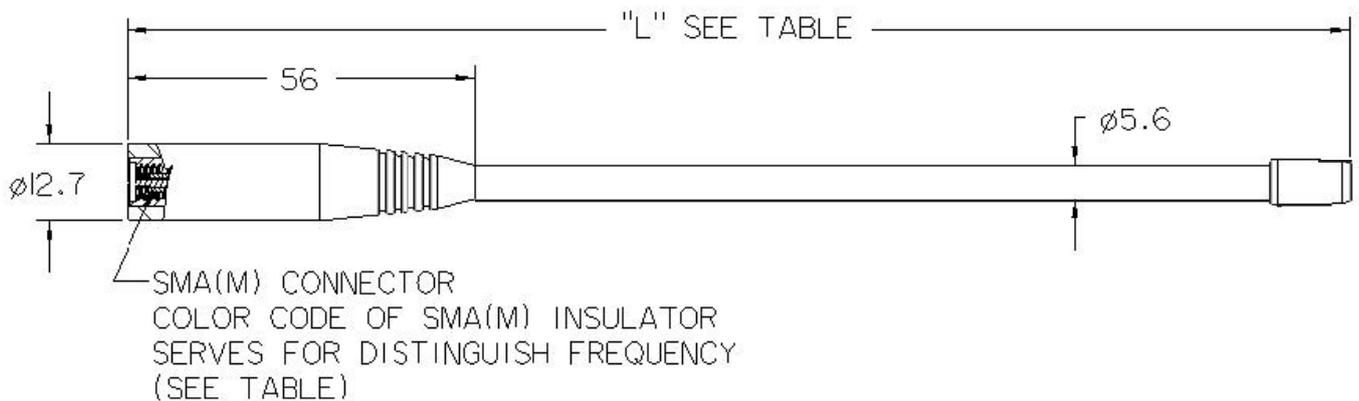


Whip 1/2 Wave Antenna

[SMA(M) Connector, 806-870 MHz, 896-941 MHz]

Electrical Specifications		
Part Number	02-6157-41-774	02-6157-52-774
Frequency Band	806-870 MHz	896-941 MHz
Return Loss* (Typical)	-9 dB max.	-10 dB max.
Gain Peak* (Typical)	1.5 dBi	1.5 dBi
Connector Type	SMA(M), Skirt	
Polarization	Linear, Vertical	
Impedance (Nominal)	50 Ohm	
Maximum Power	10 WATT	
Mechanical Specifications		
Antenna Length REF.	195 mm	185 mm
Color code of SMA insulator	Red	White
Operating Temperature	-30°C to +70°C	
Storage Temperature	-40°C to +85°C	
Environmental Conditions	Indoor / Outdoor	
Antenna weight	30g maximum	
RoHS	Compliant	
Color	Black	
Dimensions	According to drawing	

* Measured on a typical, LMP Radio



Galtronics. Worldwide.



Canada | USA | Israel | China | Korea | Vietnam |

A YLIN TECHNOLOGIES COMPANY // TSX:BYL

May 16 2016

Innovative Antenna Solutions | www.galtronics.com