

Mounting Bracket for Antenna EXTENT™ D5501i

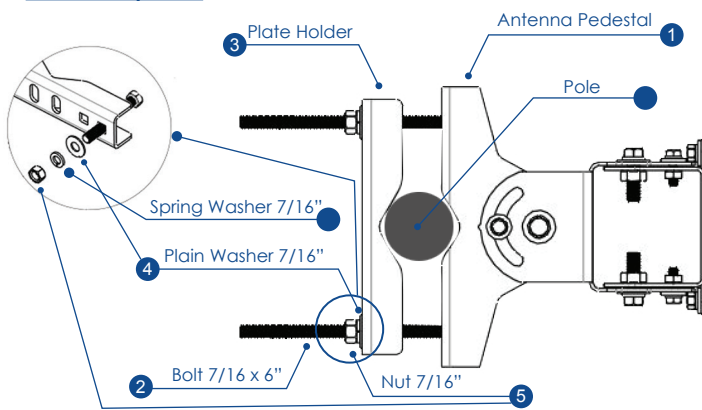
Pole / Wall Mount

DESCRIPTION:

Galtronics' mounting bracket offers an easy installation solution to mount Galtronics' EXTENT D5501i stadium antenna to either a pole or a wall. Please make sure to select appropriate fasteners (not included) when attaching the antenna to a wall.

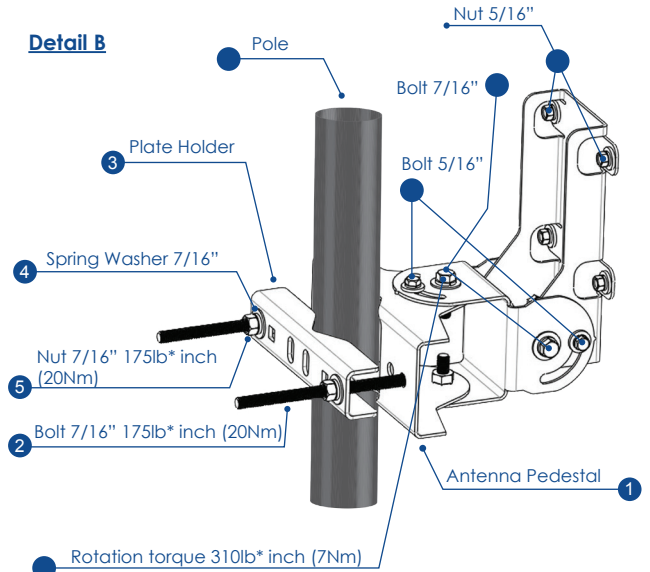
Galtronics Mounting Bracket for Pole Installations (Option 1)

Detail A Top view



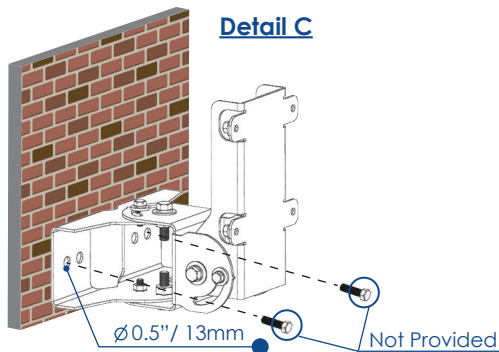
- Attach the Antenna Pedestal to the pole together with the Plate Holder and the 7/16 Bolt as shown in Detail A & B.
- Use the provided hardware to mount the antenna pedestal.

Detail B

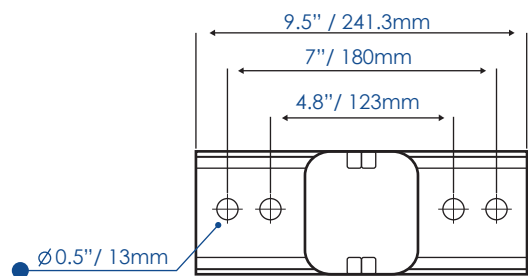


Galtronics Mounting Bracket for Wall Installations (Option 2)

Detail C

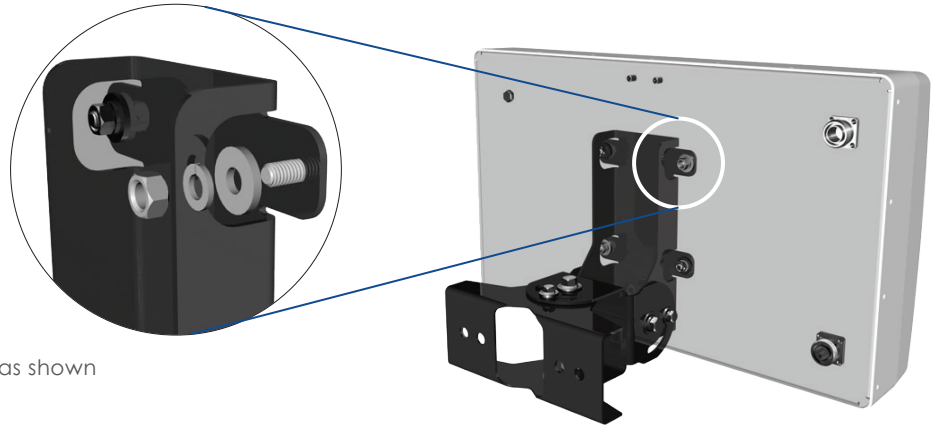


- Mark the 2 holes on the wall as shown in **Detail C**.
- Drill 2 holes into the wall according to markings
- Attach the antenna pedestal to the wall using 1/2" (12mm) bolts (not provided)



Wrench	Description	Tightening torque
1/2" (13mm)	Nut 5/16"	62 lb* inch (7Nm)
1/2" (13mm)	Bolt 5/16"	132 lb* inch (15Nm)
11/16" (17.5mm)	Nut 7/16"	310 lb* inch (35Nm)
5/8" (16mm)	Bolt 7/16"	310 lb* inch (35Nm)
11/16" (17.5mm)	Pole Mount Nut 7/16"	175 lb* inch (20Nm)
5/8" (16mm)	Pole Mount Bolt 7/16"	175 lb* inch (20Nm)

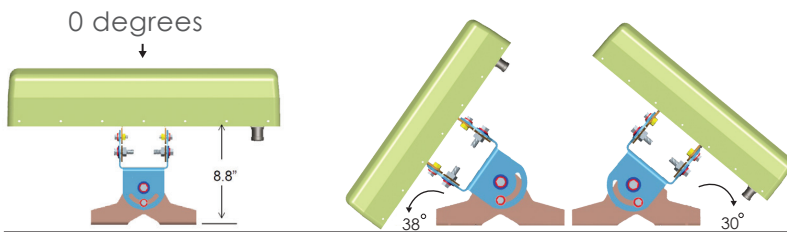
Detail D



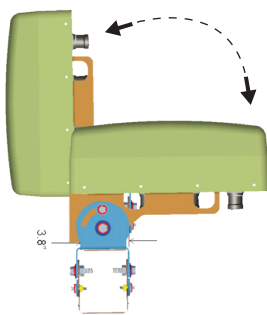
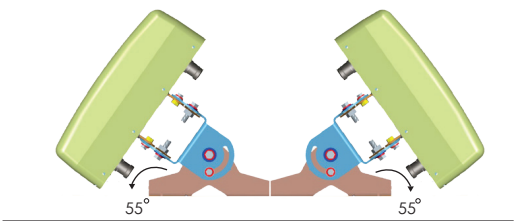
- Attach the antenna and tighten it with washers and 5/16" / 0.7mm nut as shown in **Detail D**.

Antenna Horizontal & Vertical Options

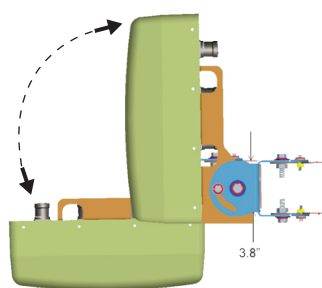
Horizontal Antenna Mounting



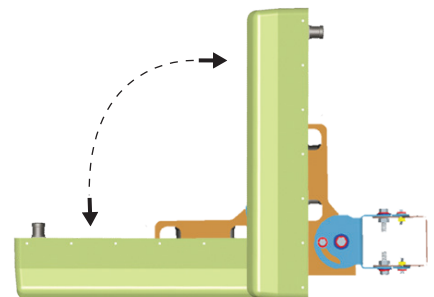
Vertical Antenna Mounting

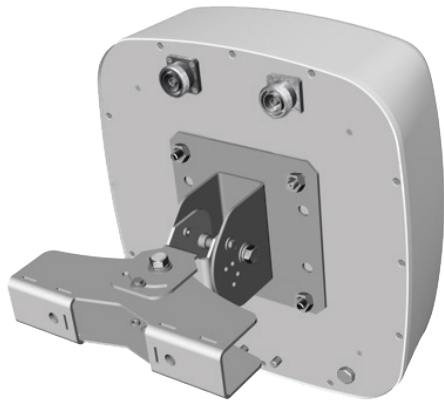


90 degrees



90 degrees





1 or 2 Axis Mounting Bracket

For EXTENT™ Directional Antennas

D5778i, D5503i, D5501i, D5502i

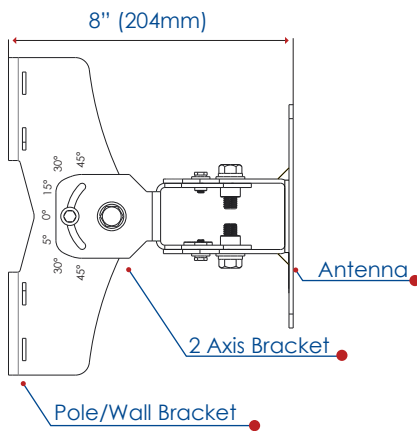
Wall and Pole Installation

DESCRIPTION:

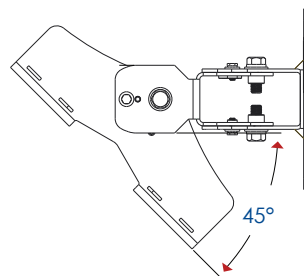
Galtronics 1 or 2 Axis mounting bracket offers an easy installation solution to mount Galtronics' EXTENT™ directional antennas to either a pole or a wall. The mounting bracket allows a tilt of up to +/-90° in the vertical, and up to +/- 45° in the horizontal plane.

Specifications

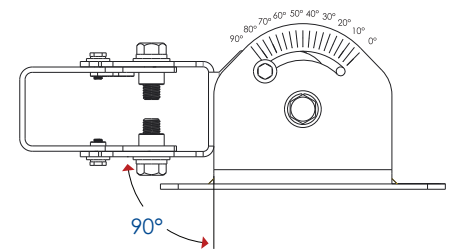
Model Number	62-45-09	
Possible Tilt (depending on exact antenna model and installation location)	Up To +/- 45° (Left/Right) / Up To +/- 90° (Up/Down)	
Operating Temperature	-40°F to +158°F (-40° to +70°C)	
Mounting Style	Wall / Pole Mounting	
Material	Stainless Steel	
Wind Speed Survival (using mounting options A)	D5778i - 150 mph (241 km/h)	D5501i - 150 mph (241 km/h)
	D5503i - 150 mph (241 km/h)	D5502i - Indoor
Weight (2 Axis)	5.07 lbs (2.3 Kg)	
Mounting Hardware to Antenna	Included with antenna	
Mounting Hardware to Pole	Included	
Mounting Hardware to Wall	Not Included	



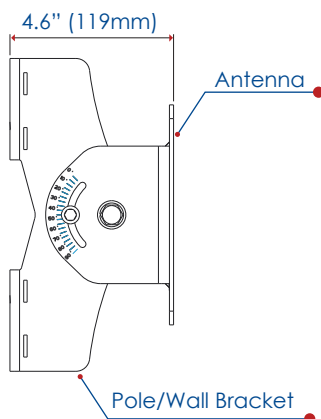
2 Axis Installation Option



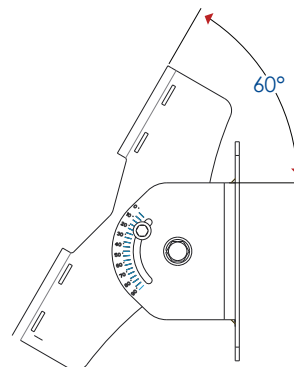
Horizontal : -45° to +45° Tilt



Vertical: 0° to 90° Tilt



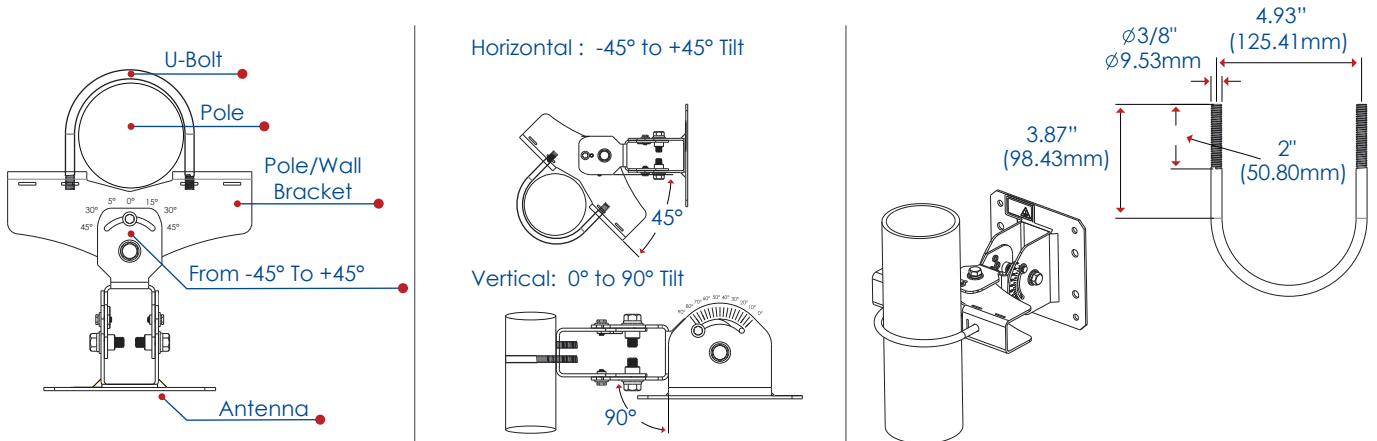
1 Axis Installation Option



Mounting Options B.

Pole Mount Installation using U-Bolt (Not supplied) for Indoor and Outdoor Installation. | U-Bolt Mount For 4" (101.6mm) Pole Diameters

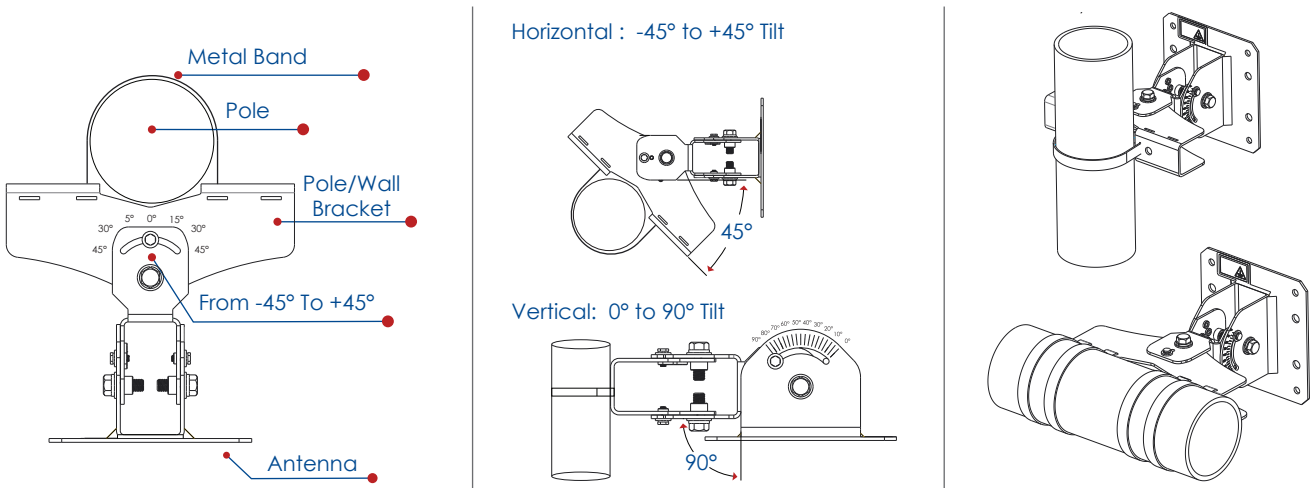
- Attach the Antenna Pedestal to the pole using a 3/8" U-Bolt.



Mounting Options C.

Pole Mount Installation using Metal Bands (Not supplied) for Indoor Installation only. | Metal Band Mount For Pole Diameters: 2" (50.8mm), 3" (76.2mm), 4" (101.6mm).

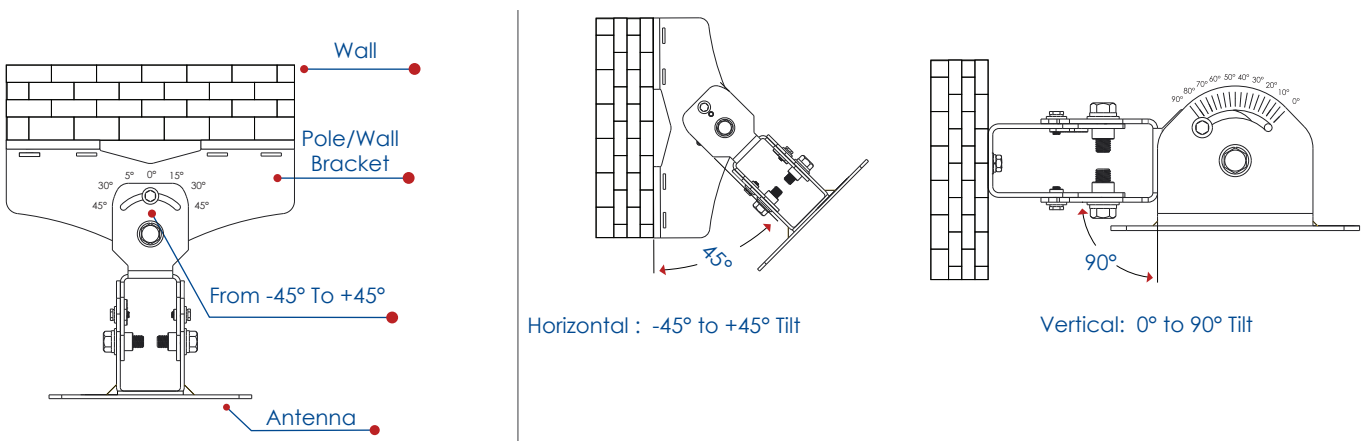
- Attach the Antenna Pedestal to the pole using metal bands.

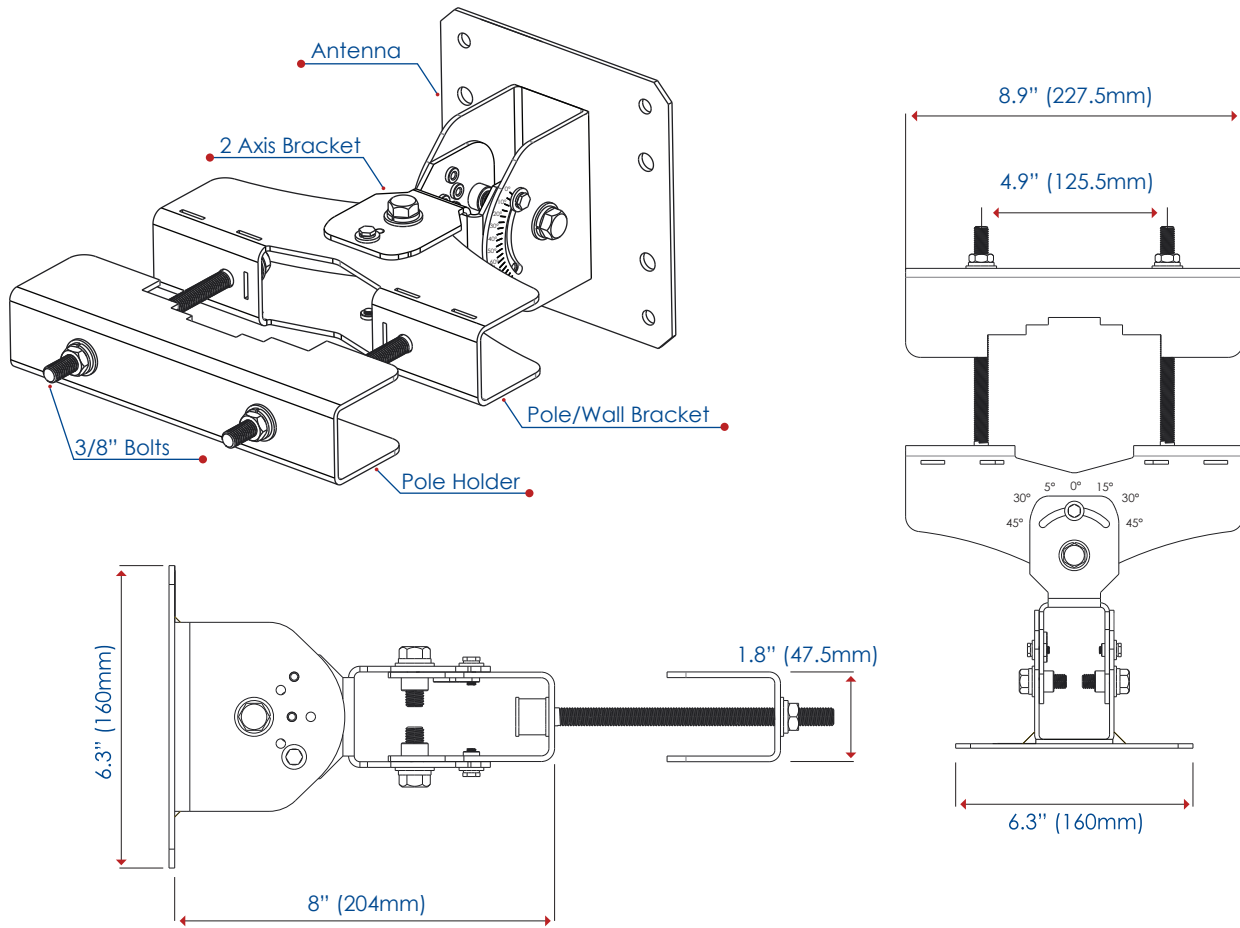


Mounting Options D.

Wall Mount Installation for Indoor and Outdoor Installation. | Wall Bracket Mount

- Attach the Antenna Pedestal to the wall using 3/8" (9.52mm) jumbo screws (not supplied). Use tightening torque of 20Nm.





Mounting Options A.

The mounting bracket offers following options for installation

Pole Mount Installation using supplied Pole Holder | Pole Bracket Mount For Pole Diameters:
2" (50.8mm), 3" (76.2mm), 4" (101.6mm), 4.5" (114.3mm)

- Attach the Antenna Pedestal to the pole using the Pole Holder and the supplied 3/8" Bolts. Use tightening torque of 20Nm.

