

# EXTENT™ T5622

## Tri-Sector Outdoor Antenna

[698-960, 1710-2700 MHz]

### DESCRIPTION:

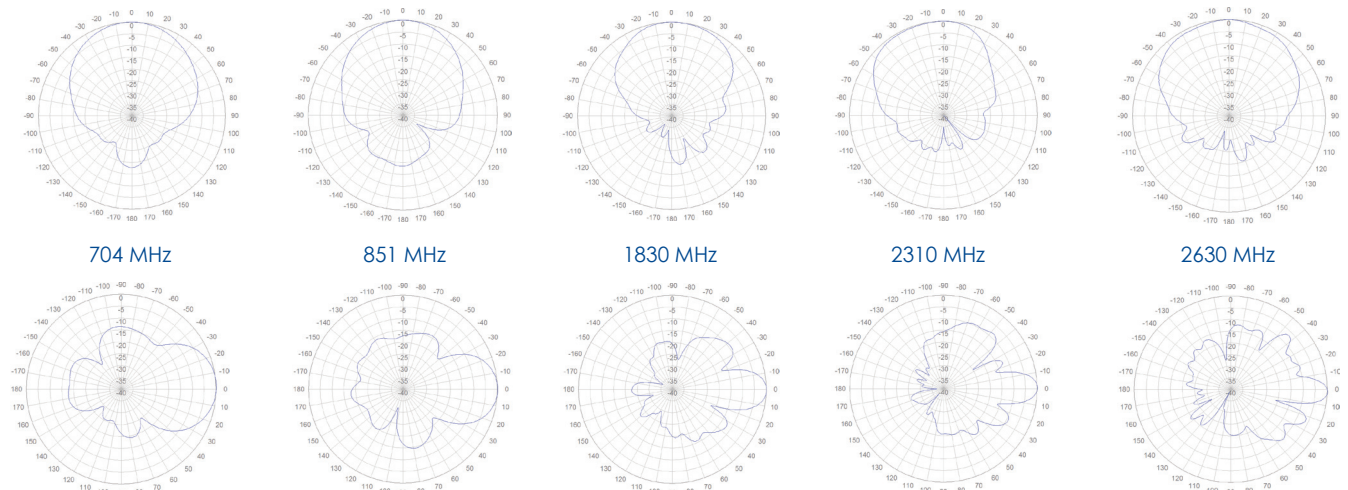
Broadband cross-polarized tri-sector antenna for applications such as outdoor distributed antenna systems (DAS).



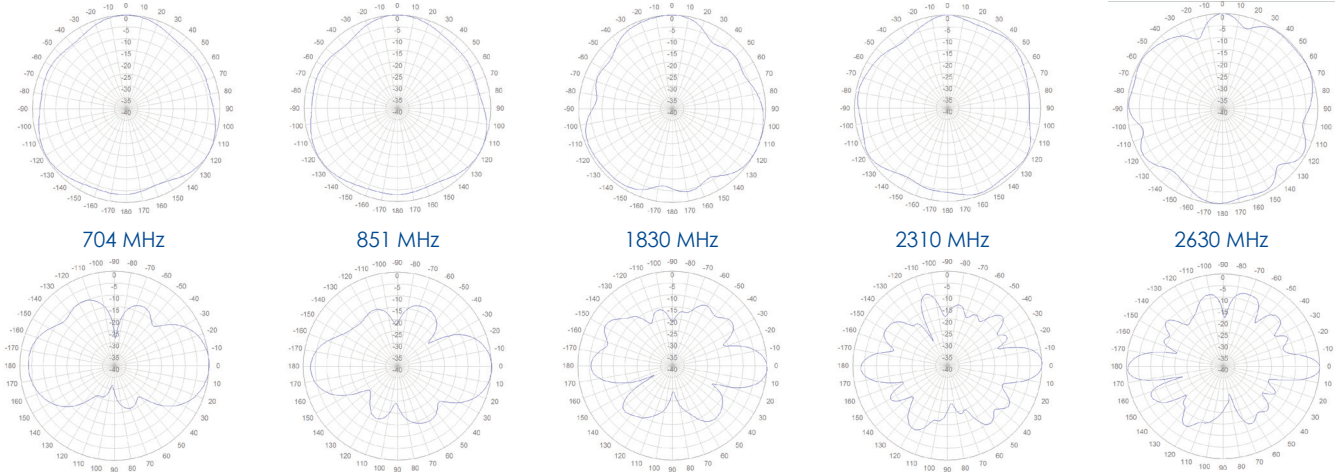
| Electrical Specifications                          |                              |         |         |           |           |           |           |
|--|------------------------------|---------|---------|-----------|-----------|-----------|-----------|
| Frequency Band [MHz]                               | 698-824                      | 824-894 | 894-960 | 1710-1900 | 1900-2180 | 2300-2360 | 2360-2700 |
| Polarization                                       | Dual slant 45° (±45°)        |         |         |           |           |           |           |
| Antenna Structure                                  | Tri-Sector                   |         |         |           |           |           |           |
| Input  | 12x 7/16 DIN female - Bottom |         |         |           |           |           |           |
| VSWR   | <1.6:1                       |         |         | <1.6:1    |           |           | <1.7:1    |
| Impedance  | 50 Ω                         |         |         |           |           |           |           |
| Gain / Sector (±1dBi)                              | 10 dBi                       | 11 dBi  | 11 dBi  | 12 dBi    | 12 dBi    | 12 dBi    | 11.5 dBi  |
| In-Band Isolation between Ports                    | < -25 dB Typical             |         |         |           |           |           |           |
| Inter-Band Isolation between Ports                 | < -35 dB Typical             |         |         |           |           |           |           |
| Azimuth HPBW (±5°)                                 | 63°                          | 62°     | 58°     | 65°       | 65°       | 70°       | 90°       |
| Elevation HPBW (±3°)                               | 40°                          | 35°     | 33°     | 19°       | 18°       | 16°       | 15°       |
| Cross-Pol  φ  < HPBW                               | < 16 dB                      |         |         |           |           |           |           |
| Cross-Pol  φ  > HPBW                               | < 10 dB                      |         |         |           |           |           |           |
| Downtilt   | 0° fixed                     |         |         |           |           |           |           |
| Max. Input Power per Port                          | 250 Watts                    |         |         | 200 Watts |           |           |           |
| PIM @ 2 x 43 dBm per Port                          | < -150 dBc                   |         |         |           |           |           |           |
| Ripple (±2dB) in omni mode with external combiners | 5 dB                         |         |         | 8 dB      |           |           |           |

| Mechanical Specifications           |   |
|-------------------------------------|---|
| Operating Temperature               | -40 to 158°F (-40 to +70°C)                   |
| Antenna Weight                      | 28.9 lbs (13.1 kg)                            |
| Antenna Diameter                    | 14.5" (370mm)                                 |
| Antenna Height (without connectors) | 24" (611mm)                                   |
| Ingress Protection                  | IP65  |
| Antenna Radome Color                | Utility grey or brown, custom colors possible |
| Antenna Wind survival Rating        | 150 mph (240 kph)                             |

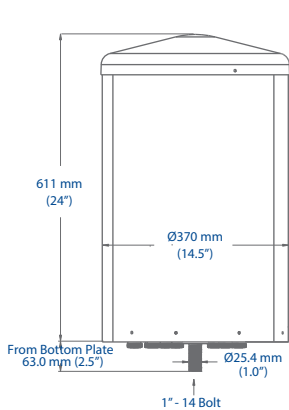
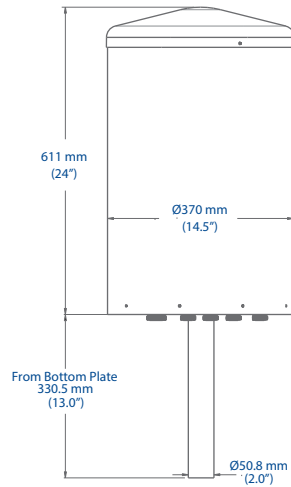
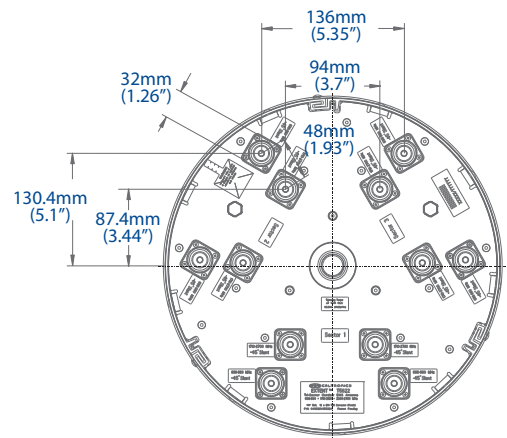
### TRI-SECTOR MODE - PATTERNS:



Release Date: 19 September 2014; Revision: C; Patent Pending

**OMNI MODE - PATTERNS** when used with external combiners:

**MOUNTING INTERFACE & ANTENNA OPTIONS:**

| Part Number      | Radome Color | Mounting Interface:                             |
|------------------|--------------|---|
| 04119261-05622-1 | Grey         | 1" Threaded Bolt (see below drawings, Option 1) |
| 04119261-05622-6 | Brown        | 1" Threaded Bolt (see below drawings, Option 1) |
| 04119261-05622   | Grey         | 13" Center Rod (see below drawings, Option 2)   |
| 04119261-05622-5 | Brown        | 13" Center Rod (see below drawings, Option 2)   |

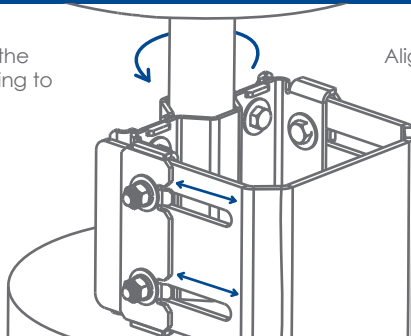
**MECHANICAL DRAWINGS & MOUNTING INTERFACE OPTIONS :**
**OPTION 1  
1" THREADED BOLT**

**OPTION 2  
13" CENTER ROD**

**OPTION 1 & 2 - Bottom View**

**MOUNTING INFORMATION:**

Option 1:  
The antenna can be mounted using the 1"-14 Bolt. Third party mounting fixtures are available. More information can be provided on inquiry.

Option 2:  
The antenna can be mounted on the top of an utility pole using the optional Galtronics pole mounting bracket suitable for poles from 6" to 13" diameter (see below).

**Galtronics Mounting Kit for pole top installations (Option 2)**

Rotate and lock the antenna according to the needs of the network.



Align the antenna to the center of the pole for optimal stability.

