



EOSS-100/U



EOSS-100/S

T-SHAPE EOSS SERIES

ELECTRO-OPTICAL SURVEILLANCE SYSTEM

GENERAL DESCRIPTION

The GEM elettronica EOSS series matches surveillance or other shore-based system requirements of day/night optical surveillance.

Each system includes the stabilized turret hosting advanced optronic TV and IR cameras for h 24 no-stop operations. The optional videotracker unit is available to accommodate closed-loop optical tracking.

Interface with external radar for target designation is available on request.

Depending on customers' requirements, the suitable configuration can be easily identified.

FEATURES

- h 24 passive detection, designation, identification and tracking of surface and low-speed air targets
- Fully automatic search for reducing operator workload in target detection and acquisition tasks
- Stabilization against mast/infrastructure motion
- Can be remotely driven

APPLICATIONS

- Vessel Traffic System (VTS), Vessel Traffic Management & Information Systems (VTMIS)
- Coastal Surveillance & Security
- h 24 optical functions for search and surveillance
- Homeland Security

T-SHAPE EOSS SERIES

ORDERING INFORMATION

	Turret aspect and type of display	Optronic turret * (see note)	Stop system	TV camera: Type of detector	450 TVL color camera: Field of view	TV camera: lens and zoom ratio	Environmental conditions
EOSS-100/U	T-shape, 15" LCD	a) 2 MEMS gyros b) $\pm 40^\circ$ c) Nx360° d) 80°/s e) 0.4 mrad	Brakes	1/4" CCD	HFOV: Wide 57° Narr. 1.7°	3.4:122 mm 36x F1.6:F4.5	-10°C:+55°C ext 0°C:+50°C int
EOSS-100/S							

Note: Optronic turret: a) number of gyroscope - b) elevation sector - c) azimuth sector - d) slewing rate - e) stabilization accuracy

SUPPLY COMPOSITION

- Electro-Optical stabilized Turret with TV and cooled or uncooled IR cameras
- Rugged Motion Control Unit
- Installation kit
- Technical manual of the system in English language
- Packing list

OPTIONS

- Separate videotracker unit for closed-loop optronic tracking
- Depending on installation requirements, cable lengths are delivered in accordance with Buyer's instructions
- Customization versus specific requirements can be evaluated in terms of cost-effectiveness
- Operator desk consisting of:
 - display unit
 - Keyboard/joystick desk unit

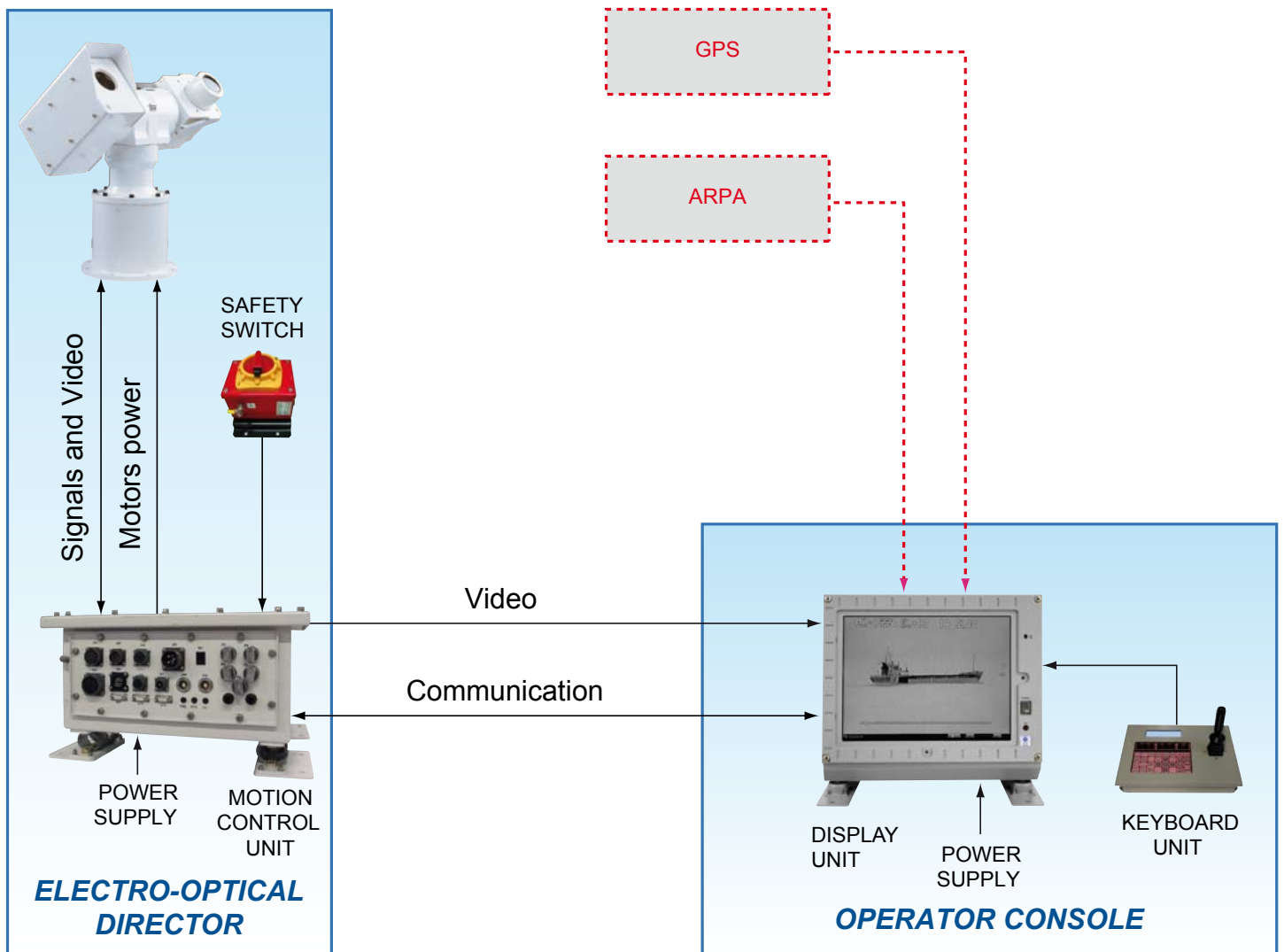


T-SHAPE EOSS SERIES

	<i>IR Detector, spectral bandwidth and resolution</i>	<i>IR camera HFOV</i>	<i>NETD</i>	<i>Laser Range Finder * (see note)</i>	<i>Video Tracker</i>	<i>Power absorption</i>	<i>Interfaces to the external world</i>
EOSS-100/U	Uncooled, VOx 8-14 micron 320x240	Wide 5.7° Narr. 2.8°	< 50mk	Available on request	Option	at 220 Vac, 50Hz, one phase, 1000 VA peak	RS-422
EOSS-100/S	Cooled, InSb 3-5 micron 320x240	Wide 11° Narr. 2.2°	< 30mk				

Note: Laser Range Finder: a) wavelength - b) range measurement - c) range accuracy - d) target resolution - e) repetition rate

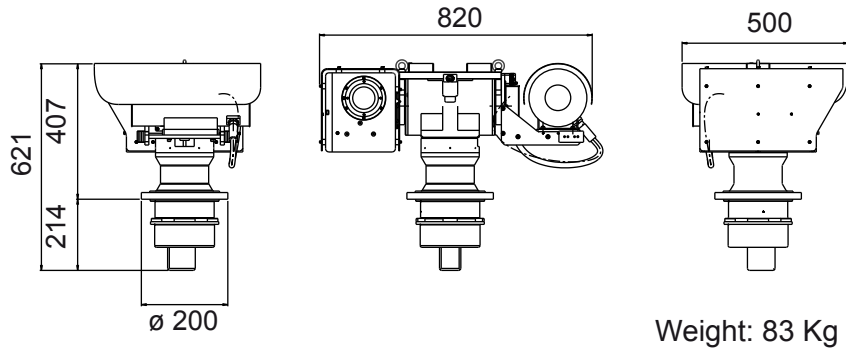
GENERAL DIAGRAM OF CONNECTION



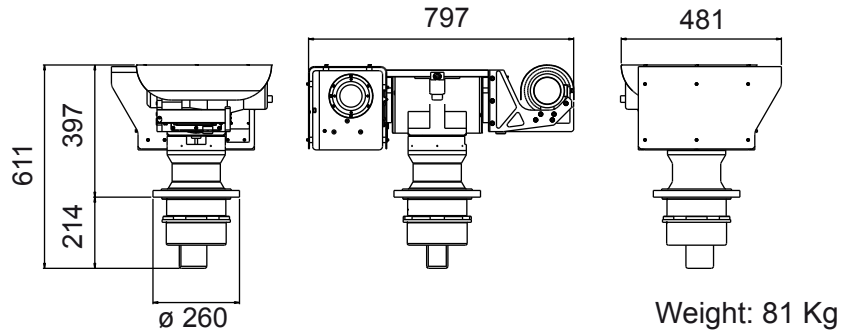
T-SHAPE EOSS SERIES

OUTLINE

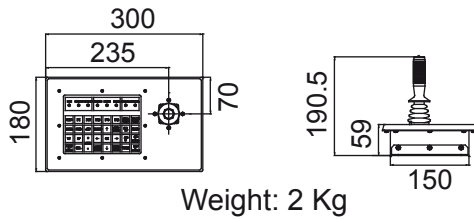
EOSS-100/U



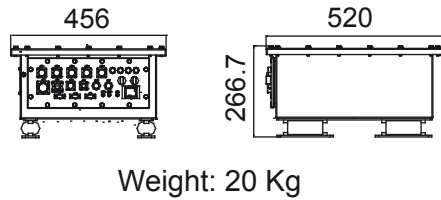
EOSS-100/S



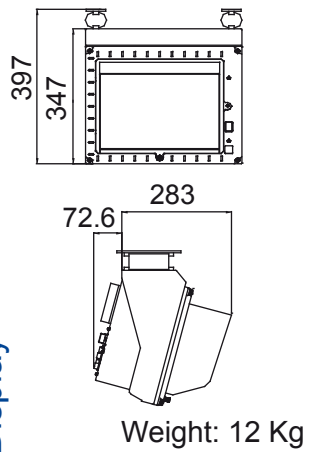
Keyboard



Control unit



Display



SURVEILLANCE
&
SECURITY



GUIDANCE,
NAVIGATION &
POSITIONING



MILITARY
&
DEFENCE



MARINE
ELECTRONICS



This brochure should not be considered a contractual offer to sell. The specifications given herein may be changed by the manufacturer, GEM elettronica S.r.l., without notice.



GEM elettronica

marketing@gemrad.com - www.gemrad.com

